

KITCHEN APPLIANCE LIFTS

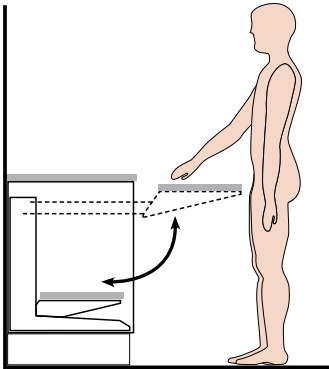
UNILIFT



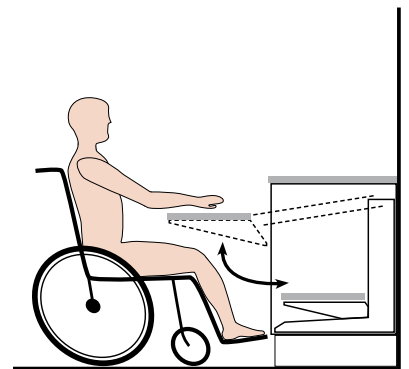
~The unilift is simply mounted in the base of a lower kitchen cabinet and can lift heavy kitchen appliances quickly and easily.

~The unilift allows small appliances like blenders and microwaves to be stored out of sight. With the push of a button, the appliance raises to meet you and can stop at any height.

FUNCTION



UNILIFT raises a panel from the bottom of a kitchen floor or wall cabinet to the desired working height. It can be used to lift food processors, microwaves or other household appliances.



PLANNING

When planning, note the following points:

- Suitable for cabinet widths 17.7", 19.7" and 23.62".
- Electrical connection to be located in the cabinet or close to it.

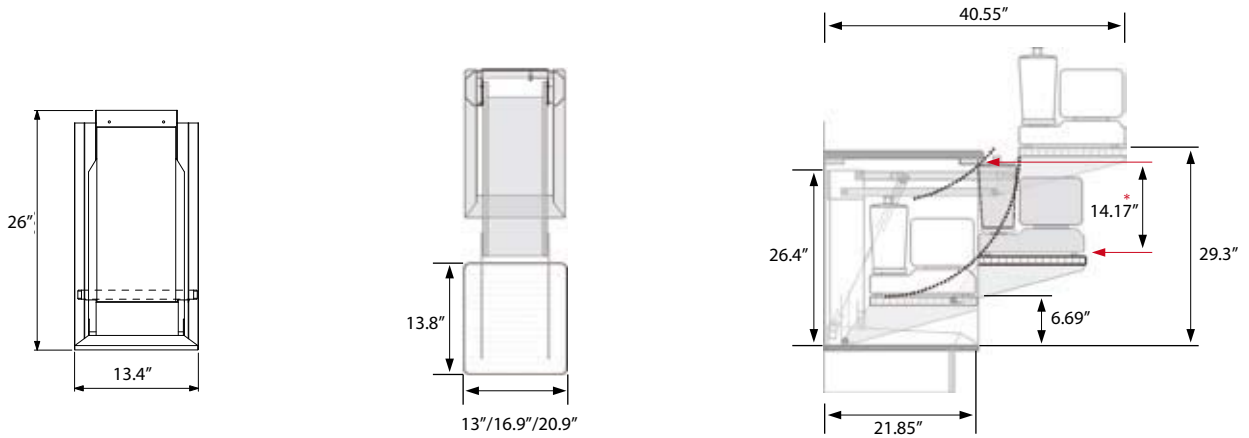
INSTALLATION

- It is screwed to the base and wall of the cabinet.
- The control unit is plugged into the wall socket


KITCHEN APPLIANCE LIFTS

UNILIFT

TECHNICAL SPECIFICATIONS



* 14.17" cm maximum height of machine (at rear edge of support panel)

		Cabinet width	Width, panel		Art. no.		
	UNILIFT						
	Incl. cable hand control and 3 cm panel in solid beech						
		17.7"	13"		870-04063		
		19.7"	16.9"		870-05063		
		23.62"	20.9"		870-06063		