



Solutions for Daily Living

## TheraGait™ Steel Training System

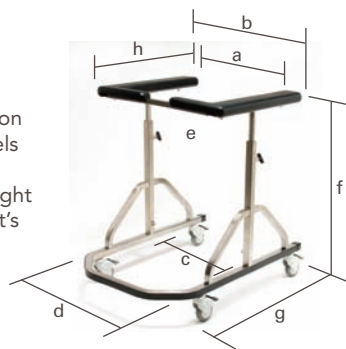
**UNIQUE** GAIT TRAINING AID MAKES  
**REHABILITATION THERAPY EASIER**  
**AND SAFER** FOR BOTH PATIENT  
AND CAREGIVER

### Features

- Three support belts, accommodating waist sizes from 22" to 60"
- Steel frame construction with adjustable frame height
- Armrest and support rail made of a comfortable molded polyurethane
- Two directional casters and two locking casters
- Latex and silicone free

### Benefits

- Allows user the most natural gait motion
- Accommodates varying functional levels
- Easy to maneuver, adjust and clean
- Unique support system provides the right amount of support to meet the patient's needs



Allows for normal gait



Includes support harness

MODEL NUMBER	2750
Product Weight	70 lbs.
Maximum Weight Capacity	250 lbs.
(a) Top Frame Inside Width	22
(b) Top Frame Outside Width	31
(c) Bottom Frame Inside Width	25
(d) Bottom Frame Outside Width	29
(e) Armrest Width	4½
(f) Armrest Height Range (1" Increment)	36 - 56
(g) Overall Length	48
(h) Top Frame Length (Includes pad)	28

Note: Dimensions are in inches unless otherwise noted.

## TheraGait PVC Gait Trainer System

**VERSATILE, ADJUSTABLE, AND**  
**AFFORDABLE** GAIT TRAINER

### Features

- Medical grade PVC
- Adjustable sling seat and padded armrests
- Rear safety gates
- Adjustable height; ergonomic angle handles
- 4" Deluxe casters, locking rear casters

### Benefits

- Durable and safe construction, easy to clean
- Fit to individual use, easy to adjust
- Improves stability and increases safety
- Fits a range of patient sizes; provides maximum comfort
- Will not mark or rust, casters lock for safety

### Available Harness Colors



Blue



Rose



Includes support harness



MODEL NUMBER	2760
Product Weight	41 lbs.
Maximum Weight Capacity	250 lbs.
Top Frame Inside Width	19¼
Top Frame Outside Width	29½
Bottom Frame Inside Width	22
Bottom Frame Outside Width	26
Armrest Width	5
Armrest Height Range (2" Increment)	39¼ - 59¼
Overall Length	48
Top Frame Length (Includes pad)	32½

Note: Dimensions are in inches unless otherwise noted.

REHAB

MOBILITY SOLUTIONS

## TheraGait™ PVC Compact Gait Trainer System

**COMPACT SIZE IS IDEAL FOR USE AT HOME OR IN FACILITIES WITH LIMITED SPACE**

### Features

- Medical grade PVC
- Compact size
- Adjustable height and sling seat
- Front safety gate
- 4" Deluxe casters, locking rear casters

### Benefits

- Durable and safe construction, easy to clean
- Easy to maneuver in home and tight spaces
- Fit to individual use, easy to adjust and comfortable
- Improves stability and increases safety
- Will not mark or rust, casters lock for safety

### Available Harness Colors



Blue



Rose



MODEL NUMBER	2730
Product Weight	25 lbs.
Weight Capacity	200 lbs.
Overall Length	28½
Top Frame Inside Width	17
Top Frame Outside Width	21
Bottom Frame Inside Width	20½
Bottom Frame Outside Width	24½
Hand Rail Range	36½ - 39½
Seat Width	7 L x 15½ W
Overall Height to Pole/Swing Gate Entrance	43½

Note: Dimensions are in inches unless otherwise noted

## ADJUSTABLE WALKER CHAIR OFFERING PERFORMANCE, STABILITY AND VALUE

### Features

- Medical grade PVC
- Adjustable height
- Padded seats
- Front safety gate
- 4" casters, locking rear casters
- Sliding footrest (MODEL #2710 only)
- Wide base (MODEL #2720 only)

### Benefits

- Durable and safe construction, easy to clean
- Custom fit to individual use, easy to adjust
- Offers a comfortable and stable sitting platform
- Improves stability and increases safety
- Will not mark or rust, locks for safety
- Added comfort footrest allows for use as a transport chair
- Minimizes possibility of tipping; increases safety

### Available Harness Colors



Blue



Rose

### Accessory

- Retractable Side Stabilizers MODEL #2710-P01<sup>1</sup>

MODEL NUMBER	2710	2720
Product Weight	31 lbs.	34 lbs.
Weight Capacity	250 lbs.	250 lbs.
Hand Rail Range (1½" Increment)	40½ - 43½	38½ - 46½
Top Frame Inside Width	17	17¼
Top Frame Outside Width	21	21¼
Bottom Frame Inside Width	23	17¼
Bottom Frame Outside Width	27	31
Seating Area Depth	12	10
Overall Length	37	39¼
Seat Height Range	22¼ - 25¼	19 - 27
Overall Width	27 <sup>1</sup>	31

<sup>1</sup>Overall width is 35" with optional Retractable Side Stabilizer MODEL #2710-P01  
Note: Dimensions are in inches unless otherwise noted

## PVC Walker Chair



MODEL #2710 shown with optional factory installed Retractable Side Stabilizers MODEL #2710-P01. Sliding Footrest standard.



MODEL #2720 with standard wide extended base