

The Pioneering Spirit Travel Wheelchair

By Troy Technologies Inc.

Limited mobility doesn't have to mean limited options. The Pioneering Spirit Travel Wheelchair can give you the freedom to travel without the burden of lugging around a traditional wheelchair. Whether traveling around the world or just around the corner, the Pioneering Spirit Travel Wheelchair can get you there in comfort and style.

The Pioneering Spirit Travel Wheelchair is available in two sizes and folds to the size of a small golf bag. It even has an optional carry bag that is great for airline and bus travel. This high quality wheelchair has a sleek, non-medical look and unique fold that you won't find anywhere else. It fits easily into the trunk of your car and it'll be there when you need it. Check out the testimonials on the Troy Technologies website! This product has changed the lives of thousands of people. Don't let the stigma of an old-fashioned wheelchair hold you back, live life to the fullest. The Pioneering Spirit Travel Wheelchair is the answer. It is the best way to travel.

---Built in Quality---

Troy Technologies is dedicated to the development and construction of the highest quality wheelchairs available. We manufacture in America and we stand behind our craftsmanship with a lifetime warranty. Our goal is to offer a wheelchair that will be there when you need it to serve comfortably and reliably for life.

---Construction---

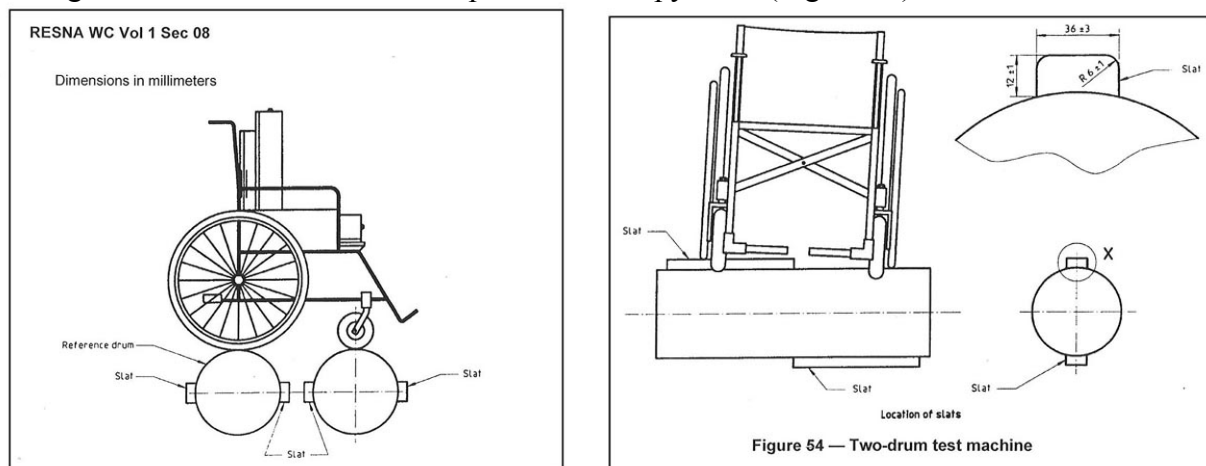
- The wheel hubs are impact resistant-glass filled nylon and the tires are made of micro-cellular polyurethane. They never go flat!
- The wheels and casters are equipped with sealed precision bearings.
- The tubular frame is constructed of aircraft grade aluminum and reinforced with 1144 stress proof steel.
- All metal surfaces are protected against corrosion with a baked on epoxy powder coat. The epoxy is scratch and UV resistant.
- The breathable fabric is dense woven vinyl-coated polyester yarn that was specially developed to withstand fading, mildew soiling and wear. With minimal maintenance, the fabric color remains crisp and vibrant after years of continuous outdoor exposure...even under the most severe weather conditions (-30°F to 110°F). Also, the seat and back upholstery meet or exceed all government requirements for ignition resistance.
- All pivot points are equipped with fasteners that are Grade 5 (or better).



---Testing---

There is a federal standard that outlines the testing procedure for manual wheelchairs. That standard is *The American National Standards Institute (ANSI) – Rehabilitation Engineering and Assistive Technology Society of North America (RESNA), Volume 1 / Section 8*. This is a voluntary standard. This federal standard details requirements and test methods for static, impact and fatigue strengths. Most manual wheelchair manufacturers do not comply with RESNA standards because they cannot meet the qualifications to pass. By contrast, Troy Technologies meets and in many cases, exceeds the standard.

The most infamous portion of the federal test is the accelerated fatigue two-drum test machine. To pass, a fully loaded wheelchair must endure 42 hours (equivalent to 200,000 cycles) on the testing machine that simulates a fast pace on a bumpy road. (Figure 54)



At Troy Technologies, we certify that our wheelchair can endure 100 hours on the accelerated fatigue two-drum test machine. That's more than double the national standard!

This is made possible because we have a state of the art wheelchair testing facility. Our testing equipment is designed to the RESNA specifications. We continually put our wheelchairs through this rigorous testing to ensure that they can meet the demands of everyday use. It is the brutal testing that gives Troy Technologies the confidence to offer a lifetime warranty. With the Pioneering Spirit, you won't be stranded with broken gear when you're traveling in far away places!

---The Comfort Factor---

The importance of comfort should never be underestimated. Discomfort, often progressing to pain, may lead to an inability to function throughout the day and eventually abandonment of the wheelchair. Even transport chairs (wheelchairs designed for the sole purpose of moving a patient from A to B) must be comfortable to remain viable, as they are often used far more often, and for longer periods of time, than originally intended.

Selecting the most suitable wheelchair is very important as most people that require the aid of the wheelchair spend most of their time (average about 15 hours) while they are awake seated in a

wheelchair. A fitting and comfortable wheelchair is essential to provide the necessary support and comfort. If not, a wheelchair bound person may easily suffer from other health problems.

If you get something cheaper and you're trying to make it work, you're likely to be very disappointed and uncomfortable.

---A Serious Purchase---

Remember, the purpose of a wheelchair is to give freedom to those with limited mobility. But, an uninformed choice may cause further complications from mobility issues to health problems. It is important for wheelchair users to educate themselves and choose the wheelchair that best fits their individual needs.

Troy Technology's travel chairs are engineered for comfort, convenience and durability. No other wheelchair offers such an ideal blend of comfort, convenience, durability and style. With "Made in America" quality and the best warranty available, The Pioneering Spirit Travel Wheelchair will be there when you need it. Leave your worries at home and see the world in style.

Troy Technologies Inc.
2009