

Installation & Assembly - Two Piece Suspended Ceiling Plate for Jumbo Mounts

Model: CMJ 453



This product is intended for use with UL Listed products and must be installed by a qualified professional installer.

This Suspended Ceiling Plate is intended for use only to support Jumbo Mount TV Brackets or other products as specified by Peerless. Combine only as specified (see specifications on page 3).

Max. Load Capacity : 250 lb (113.4 kg)

⚠ WARNING

- Weight of TV or screen shall not exceed maximum load capacity.

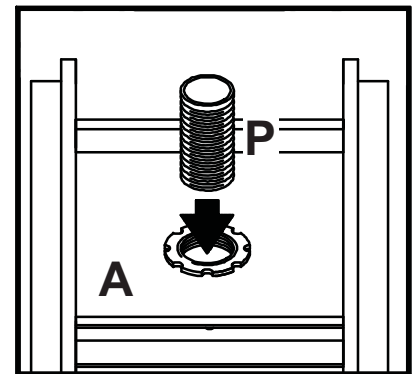
IMPORTANT PRE-ASSEMBLY INFORMATION:

Ceiling Trays (A), and (A1) are designed to fit within a 24" (610 mm) x 24" (610 mm) section of a conventional suspended ceiling system. Ceiling runners (see **DETAIL 1, page 2**) should have a "T" cross section and a minimum height of 1.5" (38 mm). In cases where 24" (610 mm) x 48" (1219 mm) ceiling tiles are used, cut one tile in half and add another 24" (610 mm) ceiling runner in order to make a 24" (610 mm) x 24" (610 mm) section.

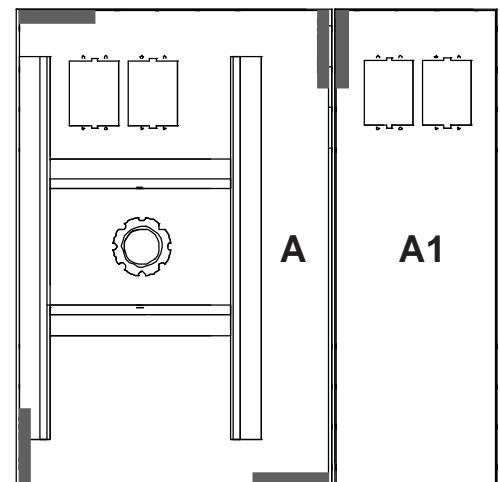
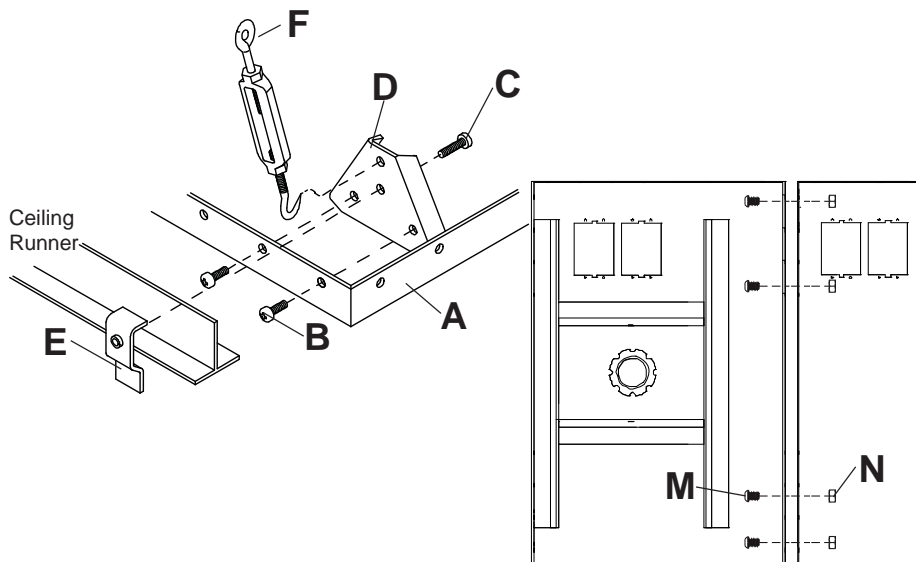
For certain installations it may be best to install ceiling anchors (**step 3**) before installing the ceiling tray (**step 2**).

- 1 From the top, thread the Flush Mount Tube (P) through retaining collar in Ceiling Tray (A).

Note: If you will install an extension column **DO NOT INSTALL THE FLUSH MOUNT TUBE (P)**. Begin with step 2.



- 2 Attach four Hanger Brackets (D) to four corners of Ceiling Tray (A) using 10 mm long phillips screws (B). Place Ceiling Tray (A) into 24" (610 mm) x 24" (610 mm) opening in ceiling (in place of a ceiling tile) with retaining collar to center, right, or left. Place Filler Tray (A1) into gap. Attach Ceiling Tray (A) to Filler Tray (A1) using four bolts (M) and nuts (N). Clamp Ceiling Tray (A) to Ceiling Runners using Hanger Bracket Clamps (E) and 20mm long phillips screws (C). Hook Turnbuckles (F) into Hanger Brackets (D). Hook one Turnbuckle through (A1) and (A) where indicated by black rectangle.



TOP VIEW - CEILING TRAY
Black rectangles show correct positions for Hanger brackets.

3 Cut tie wire (G) into four pieces of equal length. Insert wires through ends of turnbuckles. Twist each wire around itself at least four times.

Drill holes for four ceiling anchors (see "Various Anchoring Methods"). Position the holes so that when the tie wires (G) are attached and taut will angle out at 15°. Drill a fifth anchor hole directly above the center of the retaining collar in ceiling tray.

Pull tie wires tight and attach to ends of ceiling anchors (or truss). Again twist each wire around itself at least four times.

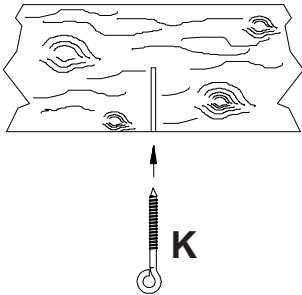
When this step is complete, the weight of the ceiling tray should be supported by the tie wires.

Note: 20' (6.1 m) of tie wire (G) is provided. If space between the true ceiling and suspended ceiling is more than 36" (914 mm), additional wire (12 gauge annealed, steel, black) will be needed. Longer safety cable (H) may also be needed.

VARIOUS ANCHORING METHODS

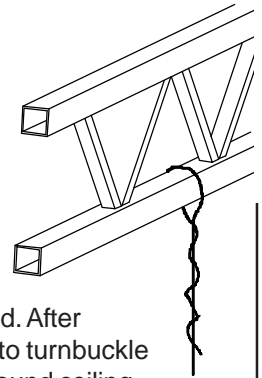
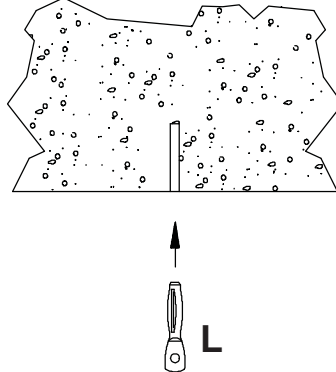
Wood Joists or Beams

Drill 5/32" (4 mm) dia holes 2" (51 mm) deep. Fully insert eye bolts (K).



Solid Concrete

Drill 1/4" (6 mm) dia. holes 1.5" (38 mm) deep. Hammer in Concrete Anchor (L) using Rawl #3250 setting tool or equivalent.



Truss Ceiling

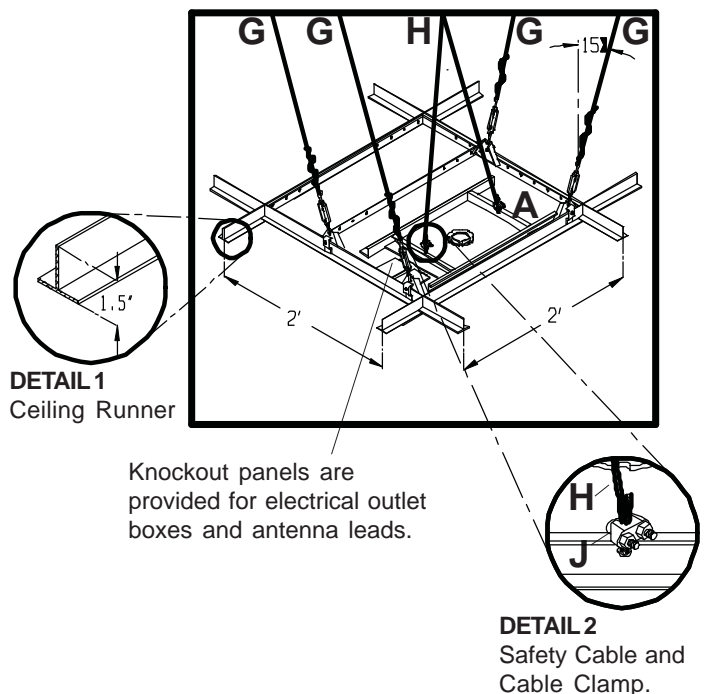
No anchor required. After attaching tie wire to turnbuckle loop upper end around ceiling truss. Pull tie wire tight and twist it around itself at least four times.

WARNING

- Installer must verify that the ceiling will safely support four times the combined weight of all attached equipment and hardware.
- Never attach hooks to filler tray.

4 Run the safety cable (H) through the remaining ceiling anchor. Pass each end through holes in ceiling plate reinforcements and join with cable clamp (J). **DO NOT TIGHTEN YET!**

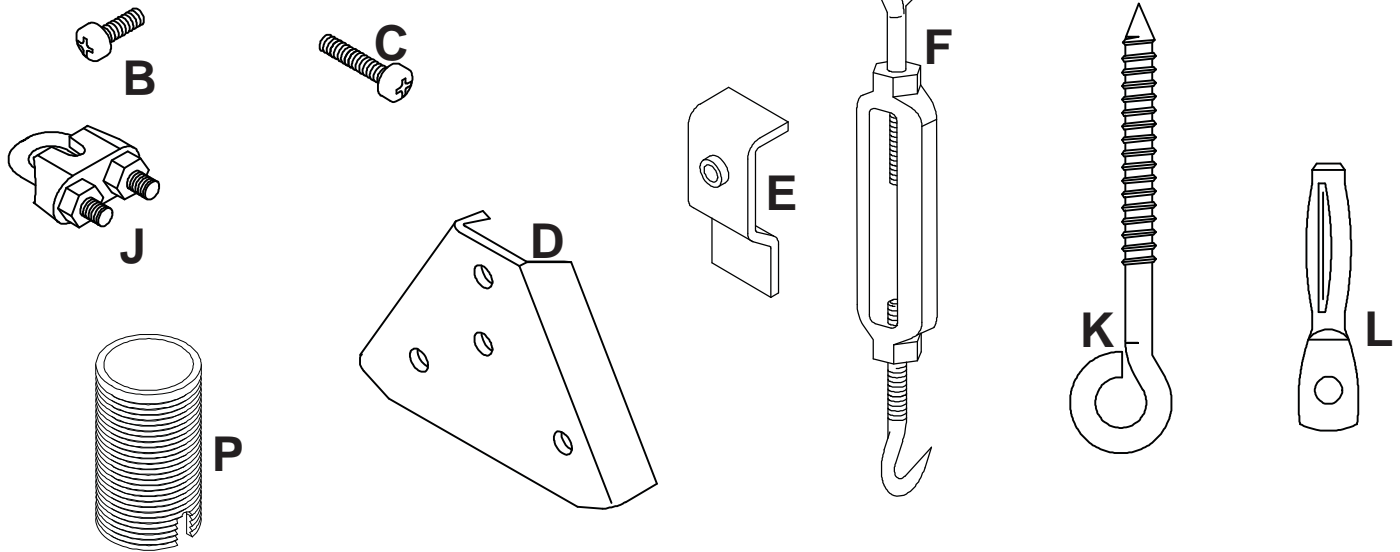
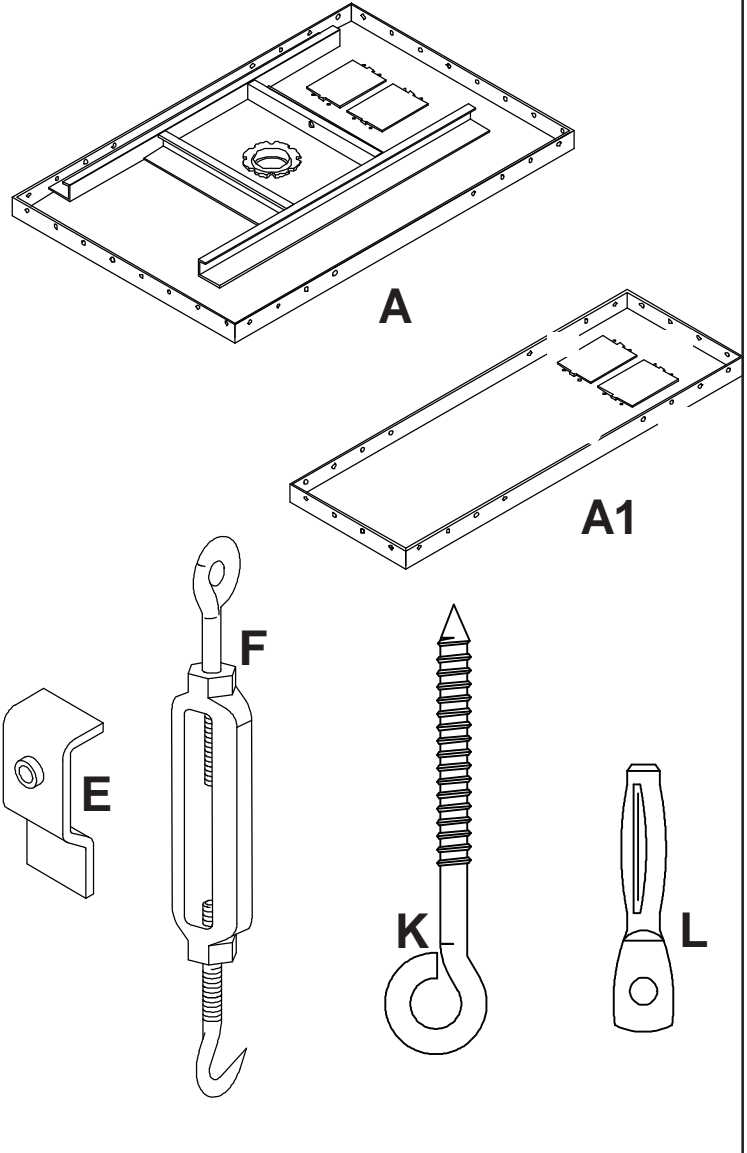
Suspended Ceiling Kit installation is now complete. After all components (Jumbo Mount, Extension Column, etc.) and equipment (monitor, VCR, etc.) have been attached, tension the tie wires by adjusting turnbuckles (F). **Load must be carried by tie wires - not suspended ceiling runners.** Finally, take up the slack in safety cable (H) leaving it slightly loose. Tighten both safety cable clamps (J).



PARTS LIST - Model CMJ 453

PARTS LIST Suspended Ceiling Plate

QTY.	DESCRIPTION	PART #
A	1 ceiling tray	128-2185
A1	1 filler tray	128-2207
B	8 10 mm long phillips screw	520-9401
C	4 20 mm long phillips screw	520-9402
D	4 hanger bracket	1452-278
E	4 hanger bracket clamp	1452-279
F	4 turnbuckle	560-9620
G	1 20' (6.1 m) tie wire (not shown)	1450-522
H	1 safety cable (not shown)	1450-517
J	2 safety cable clamp	1450-518
K	5 eye bolt	580-0006
L	5 concrete anchor	580-0005
M	4 1/4"-20 x 3/8" screws (not shown)	520-2015
N	4 1/4"-20 nuts (not shown)	530-9302
O	1 allen wrench (not shown)	560-9706
P	1 flush mount tube	1446-014S



⚠ WARNING

- Weight of TV or screen shall not exceed maximum load capacity.

TWO PIECE SUSPENDED CEILING PLATE FOR JUMBO MOUNTS - SPECIFICATIONS

Model Number	Max. Load Capacity		Compatible Jumbo Mount Models
	Concrete	Wood	
CMJ 453	250 lb (113.4 kg)	250 lb (113.4 kg)	JM 2630, JM 2640, JM 2640D, JM 2650, JM 2650D, JM 2655, JM 2660, JM 2665, JM 2670, JM 2675