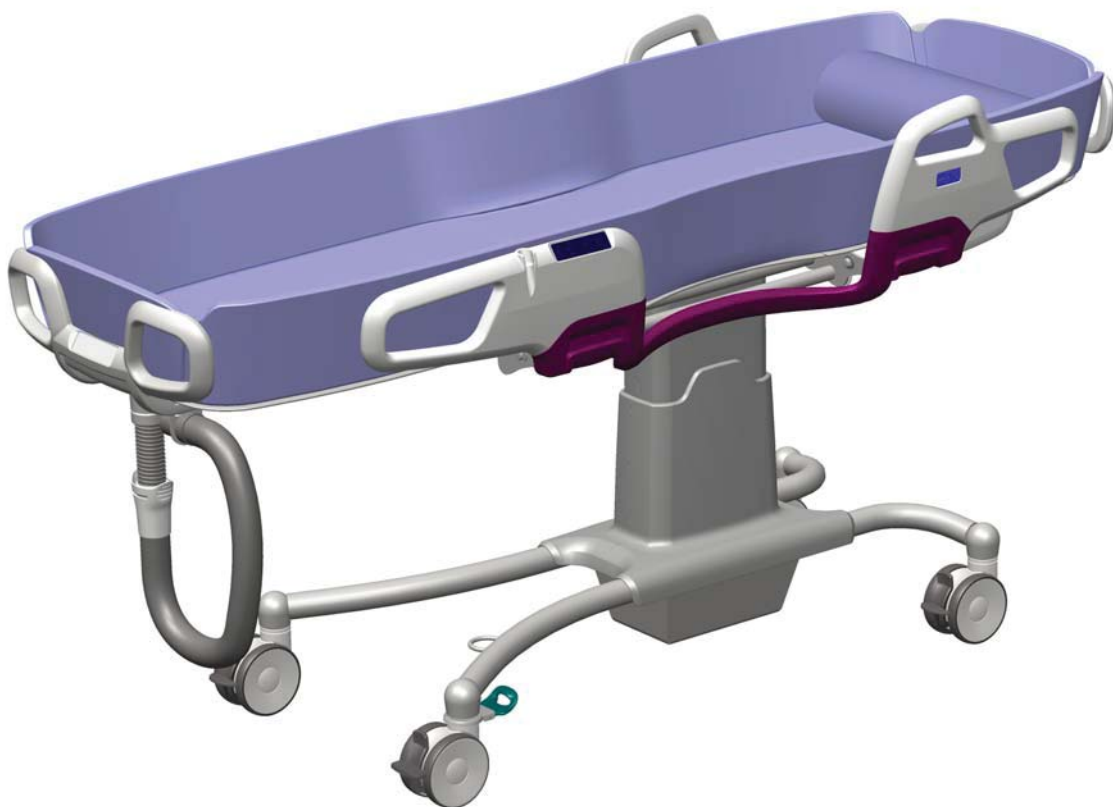


ARJOHUNTLEIGH

GETINGE GROUP

Carevo
PARTS LIST



CE

General information

Note. All article numbers starting with **85** indicates that more than one detail is included in the article number.

How to order

Before ordering spare parts study the exploded view closely and make sure that you note all involved spare parts.

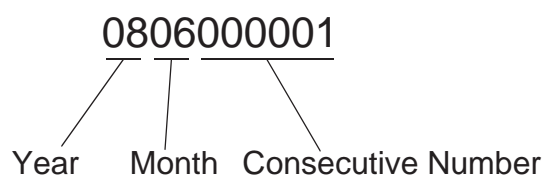
Please note that gaskets and o-rings normally are included in kits and can not be ordered separately.

When taking contact with ArjoHuntleigh Parts sales always have the following information at hand:

- Correct name of the product. See type label.
- The serial number of the product. See labels

Serial Number

The serial number consists of the following parts:



Manufacturing country and Manufacturing Works can no longer be readout.

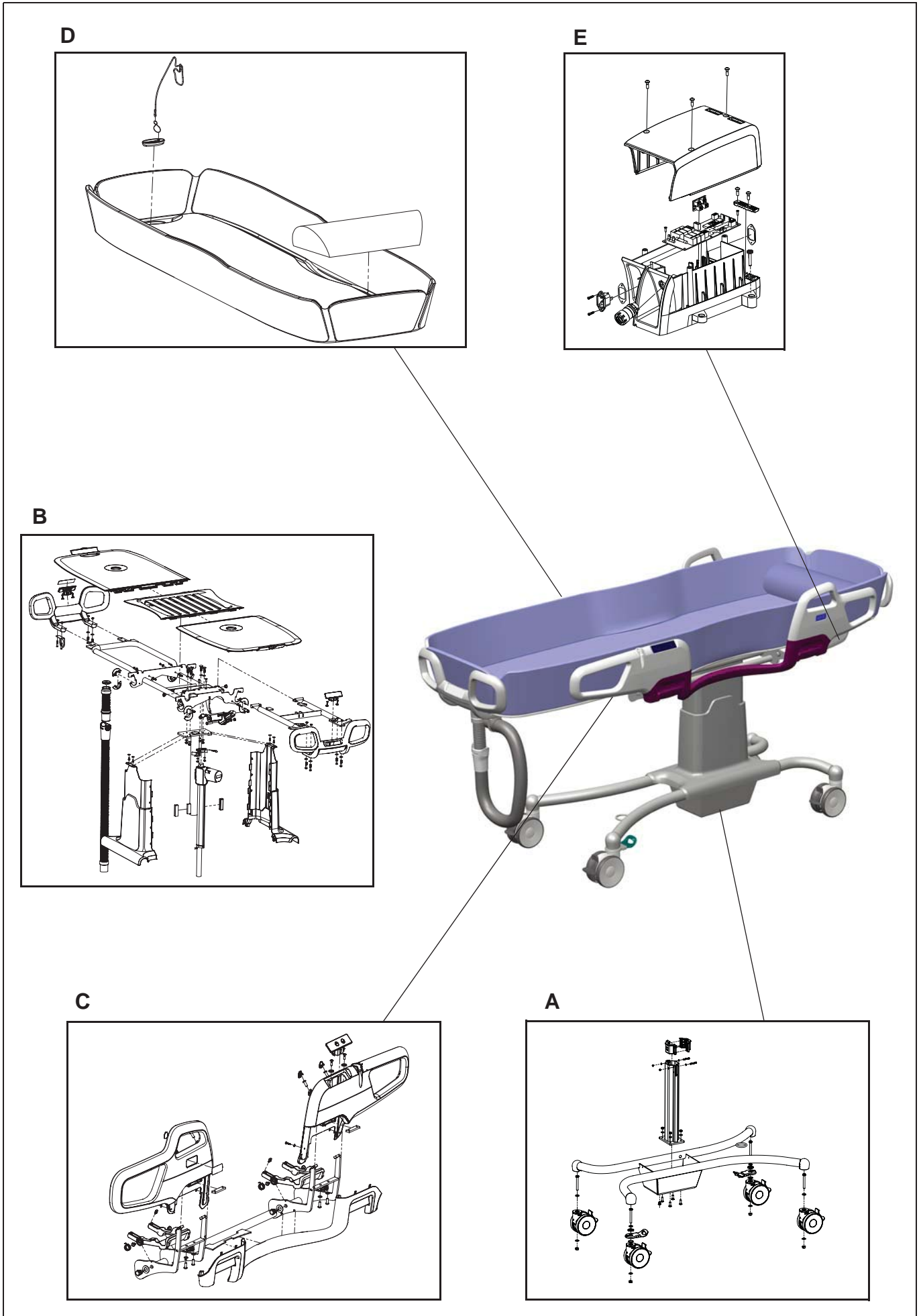
Contents Carevo

Overview	4
A Chassis with castors	6
B Stretcher	8
C Side supports left/right	10
D Mattress and pillows	12
E Electrical Box, Battery Charger/Battery	14
Preventive Maintenance Parts/Recommended Spares	16
Service Articles and Special Tools	17

Overview

Pos	Description	See page
A	Chassis with castors	6
B	Stretcher	8
C	Side supports left/right	10
D	Mattress and pillows	12
E	Electrical Box, Battery Charger/Battery	14

Overview

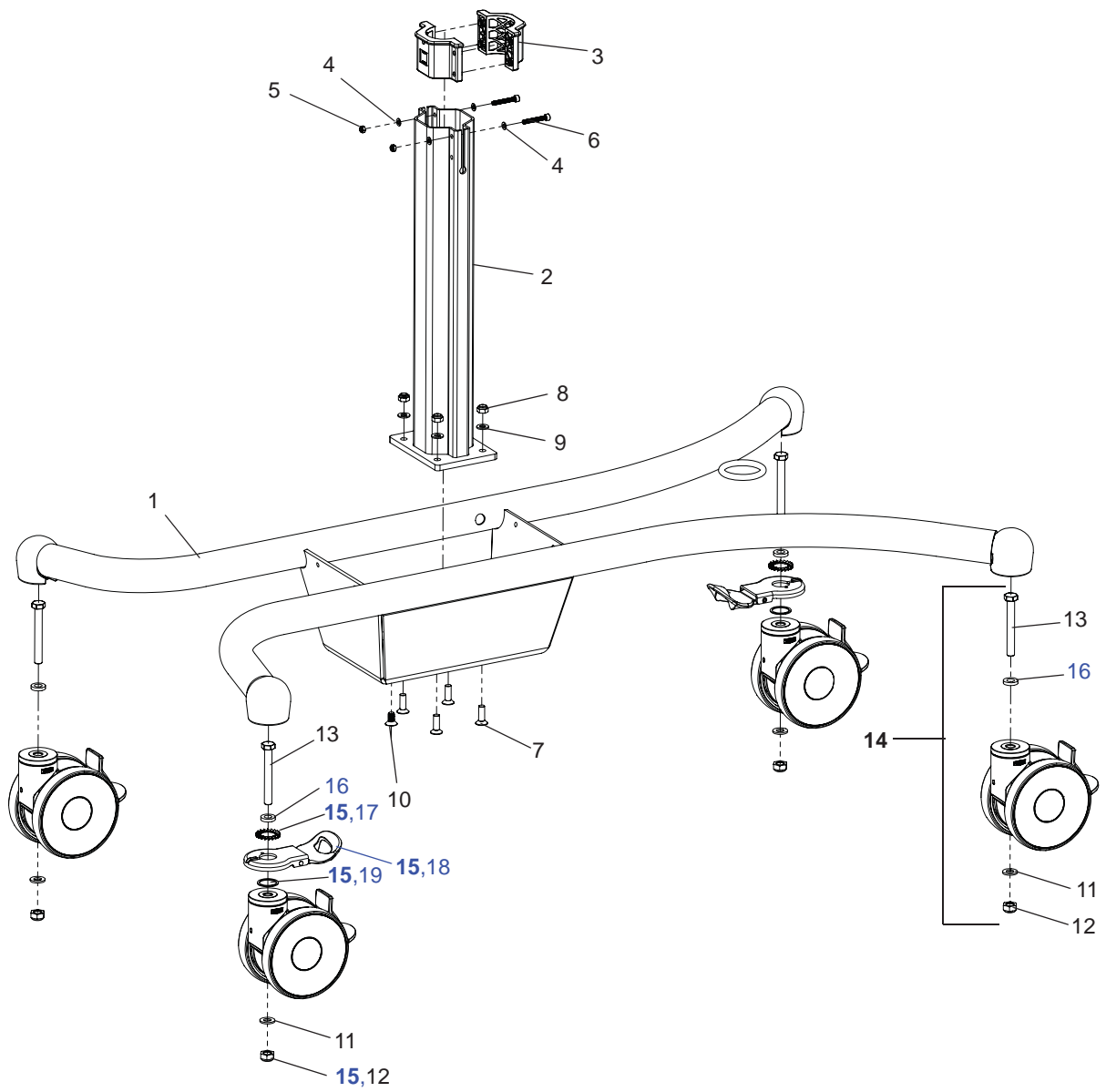


A

Chassis

Pos	Art. No.	Qty	Description	From ser. No.	Up to ser. No.	Remarks
1	8662761-036	1	Chassis assembly			
2	8662768-036	1	Column assembly			
3	8662936-09	2	Upper bearing			
4	6200002	4	Washer A4 BRB ISO 7089 5.3 x 10 x 1			
5	6210042	2	Locking nut DIN 985 M5			
6	6130535	2	Screw A4 MC6S ISO 4762 M5x35-80			
7	6150825	4	Screw A4 MF6S ISO 10642 M8x25			BUMAX
8	6210044	4	Locking nut A4 - DIN 985 M8			
9	6200005	4	Washer A4 BRB ISO 7089 8.4x17x1.6			
10	6150816	1	Screw A4 MF6S ISO 10642 M8x16-80			For actuator, see <i>B</i>
11	6200007	4	Washer A4 BRB ISO 7089 10.5x20x2			
12	6210045	4	Locking nut A4 - DIN 985 M10			
13	6111080	4	Screw FZB M6S ISO 4017 M10x80-8.8			
14	8564210	2	Kit braked castor			Use washer 6200007 on position 16 if no straight steering is used.
15	8564211	2	Kit straight steering			Incl pos 12,17-19 Note. remove plastic cap on top of castor.before assembly
16	8664412	4	Washer 10,5x19,5x4 Stainless	1305000083		
17	6200109	2	Toothed washer A4 AZ DIN 6798 M20	1305000083		
18	8664298	2	Straight steering	1305000083		
19	8664477	2	Washer 23,2x28x1	1305000083		

A

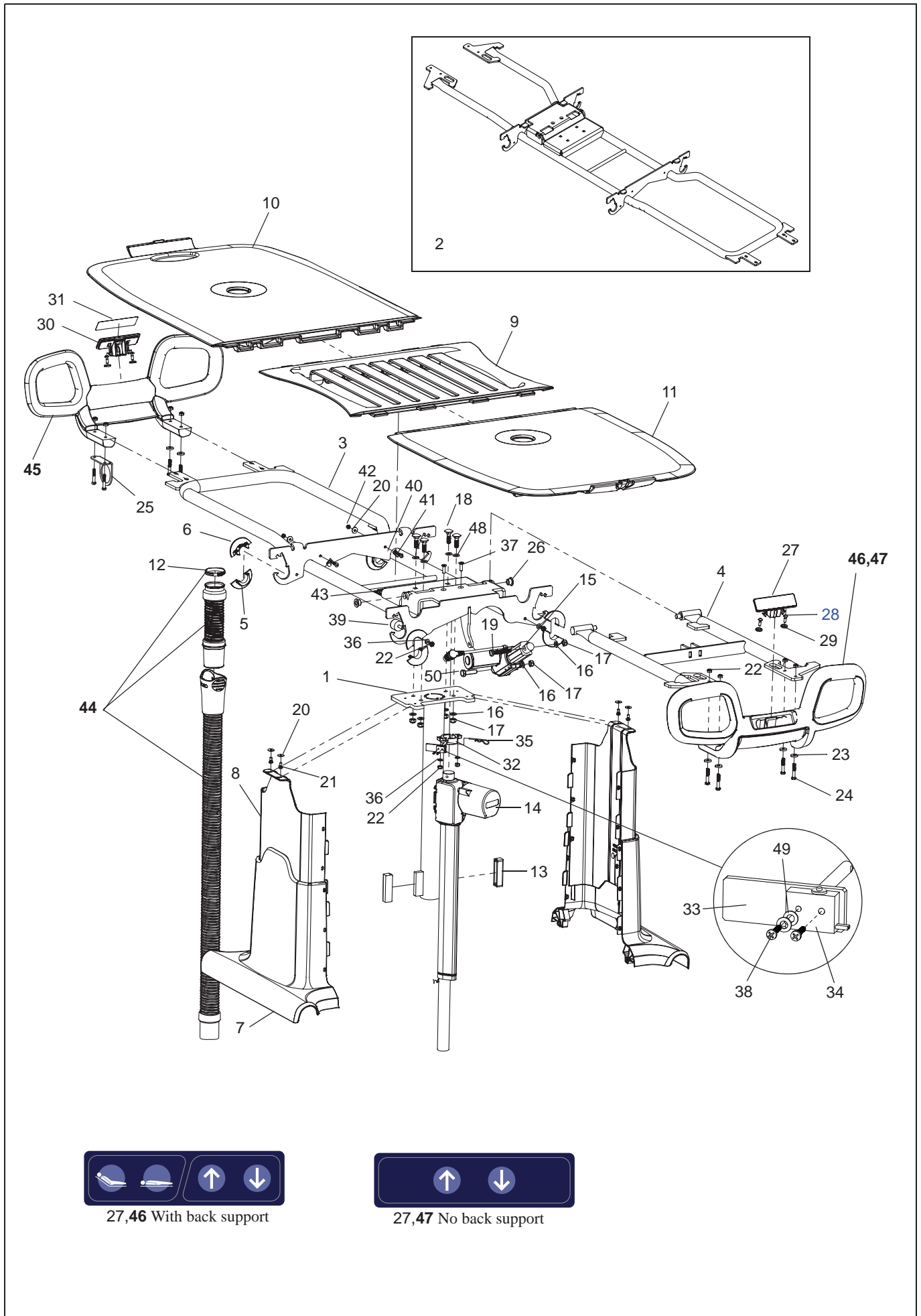


B

Stretcher

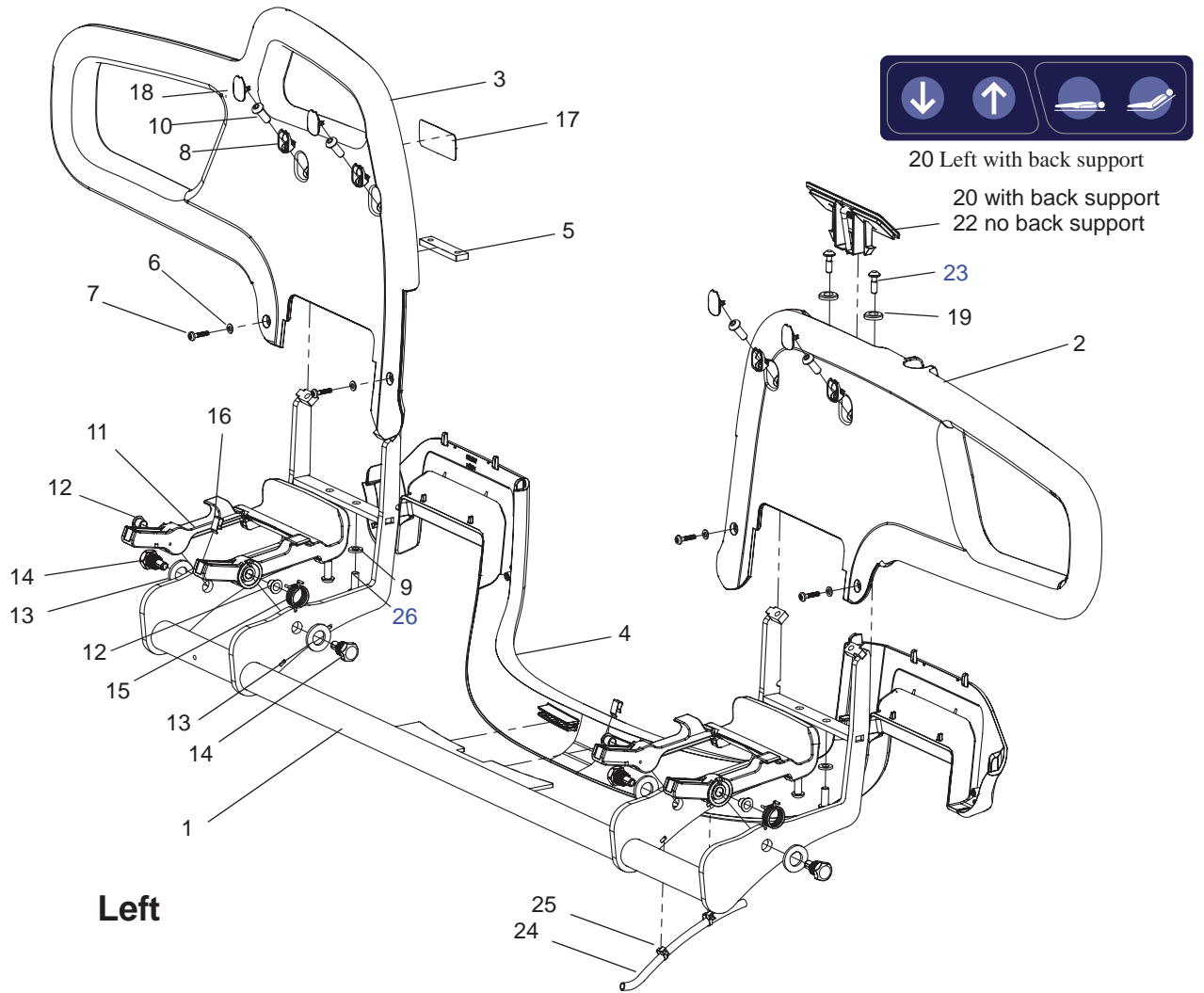
Pos	Art. No.	Qty	Description	From ser. No.	Up to ser. No.	Remarks
1	8662805-036	1	Column grey			
2	8662809-036	1	Stretcher basic grey			without back support
3	8662804-036	1	Stretcher grey			with back support
4	8662789-036	1	Back support grey			with back support
5	8662996-036	4	Side support bearing bottom			For side support, See C
6	8662997-036	4	Side support bearing top			For side support, See C
7	8662999-038	2	Outer chassis cover			
8	8663001-038	2	Inner chassis cover			
9	8662980-036	1	Flexible hip part			
10	8662917-036	1	Stretcher plate foot end			
11	8662918-036	1	Stretcher plate head end			
12	6319561	1	Hose clamp			
13	8321060-01	2	Guide			
14	6379282	1	Actuator Stretcher			
15	6379283	0/1	Actuator back support			with back support
16	6200005	4/6	Washer A4 BRB ISO 7089 8.4x17x1.6			with back support 6 pcs.
17	6210044	4/6	Locking nut A4 - DIN 985 M8			with back support 6 pcs.
18	6190610	4	Screw A4 MVBF ISO 8677 M8x30-70			
19	6100851	1	Screw A4 - M6S ISO 4017 M8 x 50 - 80			with back support
20	6200041	6	Washer A4 - RBS ISO 7093 5.3x15x1.2			
21	6100510	4	Screw A4 - M6S ISO 4017 M5 x 10 - 80			
22	6210043	12	Locking nut A4 - DIN 985 M6			
23	6200179	6	Washer A2TRB DIN 7349 6,4x17x3-100			
24	6100635	8	Screw A4 - M6S ISO 4014 M6 x 35-80			
25	8663468-036	1	Drainage hose bracket			
26	6306175	2	Slide bushing			
27	8562987 8563479	1	Control panel central, with back support Control panel central, no back support			
28	6190629	4	Flange head Tapping screw FZB ST4,2x13			
29	6200181	4	Washer FZB TBRB - SS1466 8,4x16x3			
30	8662754-03	1	Overlay holder			
31	8618852	1	Label Carevo			
32	8663736	1	Bush microswitch			
33	8663737	1	Pin microswitch			
34	8663749	1	Microswitch assembly			See E
35	6328045	1	Cotter pin A4 D2x43			
36	6200003	4	Washer A4 BRB ISO 7089 6.4x12x1.6			
37	6150620	2	Screw MF6S 6x20 A4			
38	6190618	2	Screw A2 MRX ISO 7045 M2x10-70			
39	6303150	2	Damper			
40	6370762	2	Cable clamp 4,8mm			
41	6190476	2	Screw A4 -K6S ISO 7380 M5x16 - 80			
42	6210042	4	Locknut M5 A4 DIN 985			
43	6361008	4	Cable tie			
44	8564162-1000 8564162-1500 8564162-2000	1	Drainage hose complete 1000mm Drainage hose complete 1500mm Drainage hose complete 2000mm			
45	8564212-03	1	Gable with label Carevo			Including pos. 28,29,30,31
46	8564213-03	1	Gable with panel, back support			Including pos. 27,28,29
47	8564214-03	1	Gable with panel, no back support			Including pos. 27,28,29
48	6200186	4	Washer DIN988 12x18x0,2 A2			
49	6200061	2	Washer A4 BRB ISO 7089 3.2x6x0.5			
50	6100830	1	Screw A4-M6S ISO 4017 M8x30-80			with back support

B



C <i>Side Support left/right</i>						
Pos	Art. No.	Qty	Description	From ser. No.	Up to ser. No.	Remarks
1	8662908-036	1	Side support frame			
2	8662752-03 8662914-03	1	Side support foot left Side support foot right			Pos 20 or 22 must also be ordered Pos 21 or 22 must also be ordered
3	8662911-03 8662753-03	1	Side support head left Side support head right			
4	8662977-083	1	Side support cover			
5	8662904	2	Locking plate lower			
6	6200001	4	Washer A4 BRB ISO 7089 4.3x8x0.8			
7	6190616	4	Screw A2 TX PT K40x16			
8	8663466	4	Seat			
9	6200003	4	Washer A4 BRB ISO 7089 6.4x12x1.6			
10	6190426	4	Screw, A4- K6S ISO 7380 M6x16-80			
11	8662975-083	2	Handle			
12	6306174	4	Slide bushing			
13	6200009	4	Washer A4 BRB ISO 7089 13 x24x 2.5			
14	8662992	4	Handle shaft screw			
15	8662978	2	Torsion spring			
16	8662991	2	Spring bracket			
17	8418700	1	Arjohuntleigh badge			
18	8663467-03	4	Bolt cover			
19	6200181	2	Washer FZB TBRB - SS1466 8,4x16x3			
20	8562988	1	Control panel left ,with back support			Shall be ordered with 8662752-03
21	8562989	1	Control panel right, with back support			Shall be ordered with 8662914-03
22	8562990	2	Control panel left/right, no back support			Shall be ordered with pos.2
23	6190629	2	Flange head Tapping screw FZB ST4,2x13			
24	8663751	1	Cable cover			
25	6311108	2	Cable tie			
26	6130616	4	Screw A4 MC6S ISO 4762 M6x16-80			

C



Left



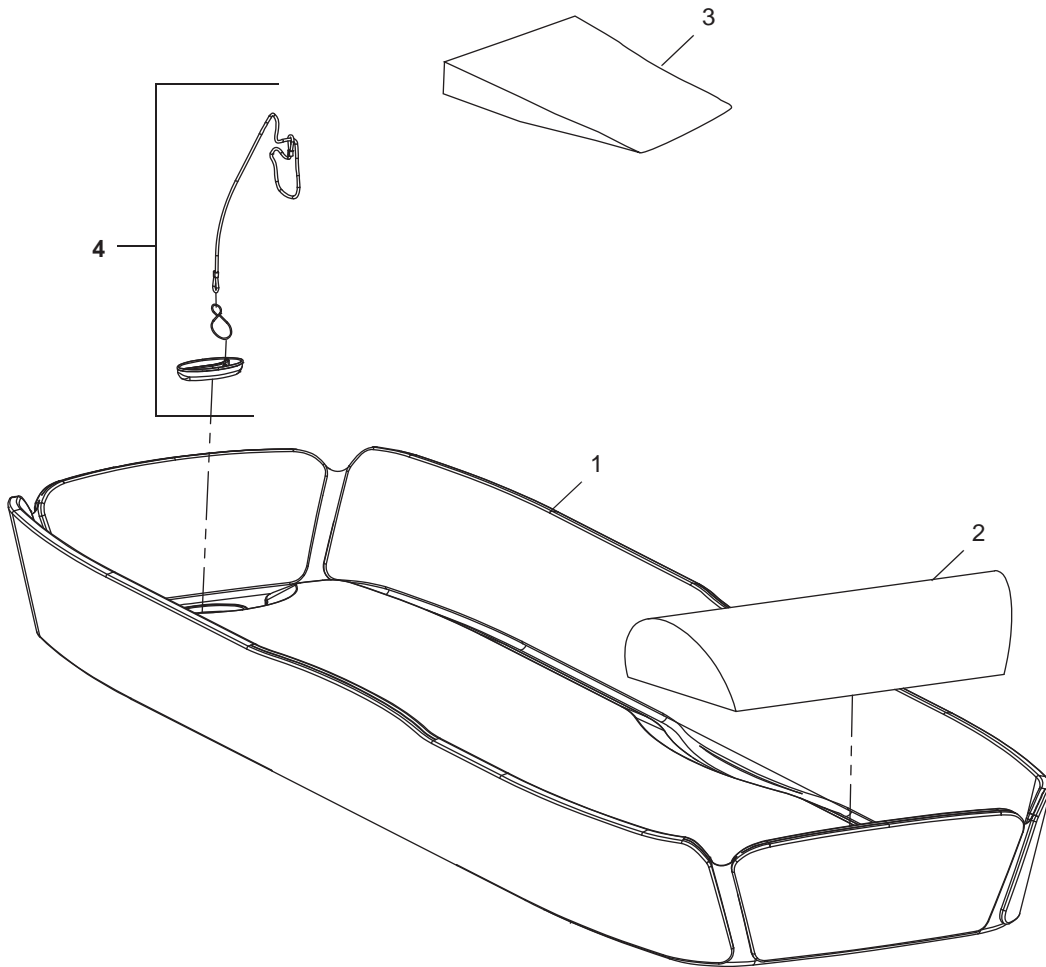
21 Right with back support

21 with back support
22 no back support

Right

<i>D</i> <i>Mattress and Pillows</i>						
Pos	Art. No.	Qty	Description	From ser. No.	Up to ser. No.	Remarks
1	8663449-017	1	Mattress			
2	8663465-017	1	Head Pillow			
3	100880-01	1	Wedge Pillow			
4	8564215-036	1	Drainage plug assembly			

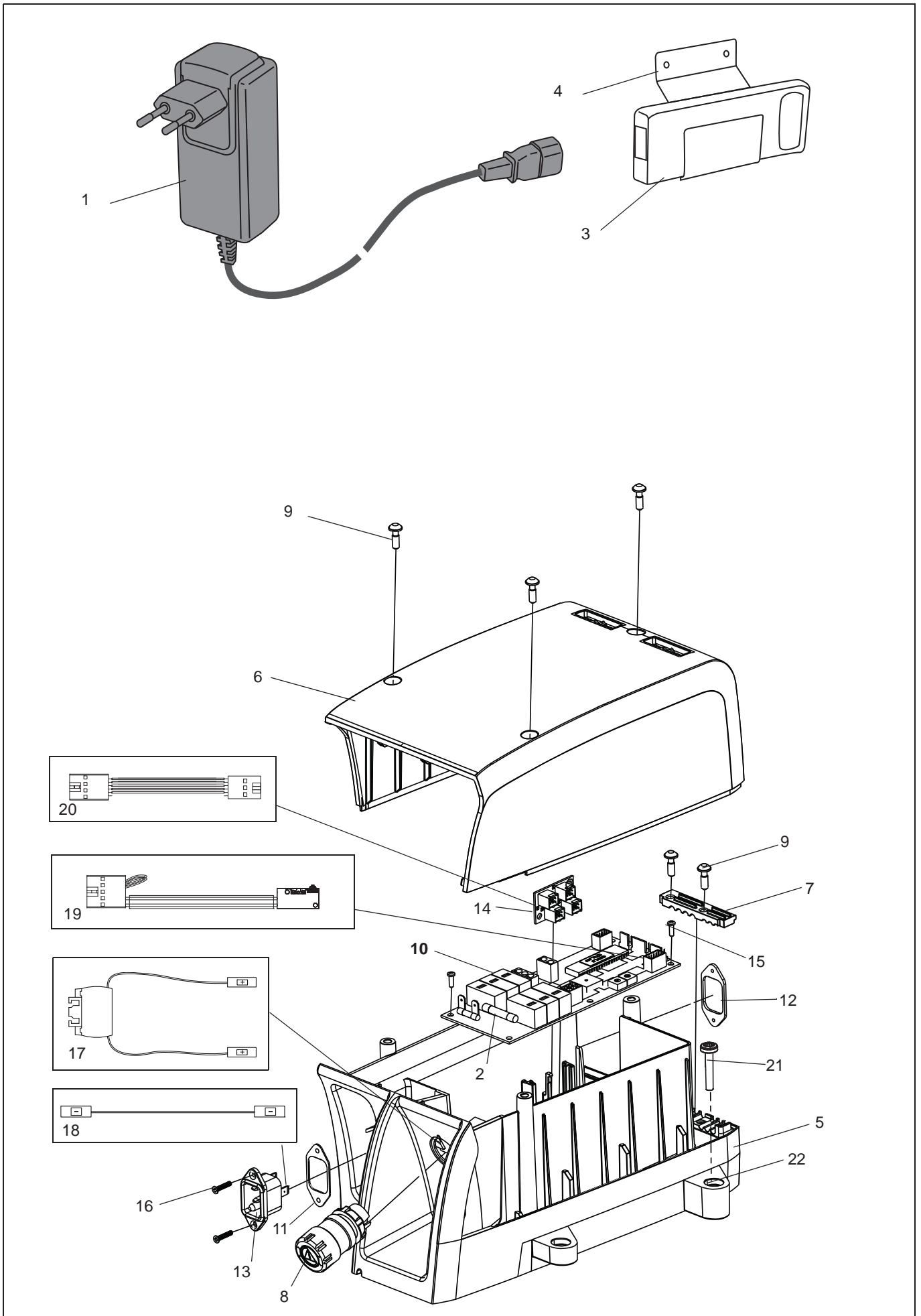
D



E Electrical Box, Battery Charger/Battery

Pos	Art. No.	Qty	Description	From ser. No.	Up to ser. No.	Remarks
1	NEA8000-WW NEA8000-AU	1	Battery charger world wide Battery charger Australia			AU-versioin also for Japan
2	6379136	1	Fuse F10AL 6,3x32mm			
3	NEA0100-083	1	Battery			
4	8350891-031	1	Battery holder			
5	8662775-03	1	Upper Cover			
6	8662776-03	1	Lower Cover			
7	8662777-03	1	Strain Relief			
8	8663750	1	Emergency Stop			
9	6190551	5	Screw Fe/Zn-Ni-PT WN1451 K50x16			
10	8663519	1	PCB			
11	8451301	1	Seal			
12	8451284	1	Fixation Plate			
13	8458622	1	Socket			
14	8663473	1	Connection Board			
15	6190542	2	Screw RX-PT 4-20x10, A4			
16	6190245	2	Screw A4 MFX ISO 7046 M3x16-80-Z			
17	8360696	1	Connector emergency stop			
18	8358604	1	Battery wire			
19	See B	1	Microswitch assembly			
20	8663188	1	Board to board cable			
21	6190615	4	Screw Zn-Ni TX PT K60x25			

E



Preventive Maintenance Parts	Part number	Number of Carevo		Page
		1	5	
Braked Castor kit	8564210	4	20	A:14
Straight steering kit	8564211	2	4	A:15
Spring Bracket	8662991	2	10	C:16

Recommended Spares	Part number	Number of Carevo		Page
		1	5	
Battery	NEA0100-083	1	2	E:3
Control panel central (no back support)	8563479	1	2	B:27
Control panel, central (with back support)	8562987	1	2	B:27
Control panel, left (with back support)	8562988	1	2	C:20
Control panel, left/right (no back support)	8562990	1	2	C:22
Control panel, right (with back support)	8562989	1	2	C:21
Damper	6303150	2	6	B:39
Drain assembly	8564162-1000 8564162-1500 8564162-2000	1	2	B:44
Drainage plug	8564215-036	1	2	D:4
Fuse F10AL 6,3x32mm	6379136	1	2	E:22
Gable with label Carevo	8564212	2	4	B:45
Gable with panel (with back support)	8564213	2	4	B:46
Gable with panel (without back support)	8564214	2	4	B:47
Head Pillow	8663465-017	1	2	D:2
Mattress	8663449-017	1	2	D:1
PCB	8663519	1	1	E:10
Side support bearing bottom	8662996-036	4	8	B:5
Side support bearing top	8662997-036	4	8	B:6

Carevo

Service Articles and Special Tools

Service Articles	Type	Quantity	Part number
Loctite 243	Locking	10ml	6950607
Shell Gadus S3 A1300C	Lubrication	400g cartridge	6907945
Touch-up paint	Grey	20ml	6951007-036

Special Tools	Part number
Load Test Equipment	8x25 l barrels (not supplied by ArjoHuntleigh)
Battery Condition Tester	8662950
Spare Part bulb for 8662950	S6311425

ARJOHUNTLEIGH

GETINGE GROUP

GETINGE GROUP is a leading global provider of products and systems that contribute to quality enhancement and cost efficiency within healthcare and life sciences. We operate under the three brands of ArjoHuntleigh, GETINGE and MAQUET. ArjoHuntleigh focuses on patient mobility and wound management solutions. GETINGE provides solutions for infection control within healthcare and contamination prevention within life sciences. MAQUET specializes in solutions, therapies and products for surgical interventions and intensive care.