

---

Carino (2010)  
Parts List

---

ARJOHUNTLEIGH  
GETINGE GROUP



# General information

---

Note. All article numbers starting with **85** indicates that more than one detail is included in the article number. Blue text indicates changes compared to previous manual.

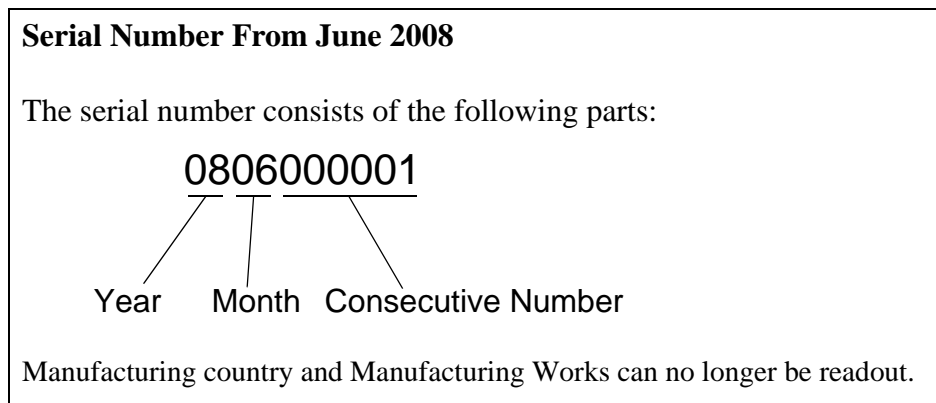
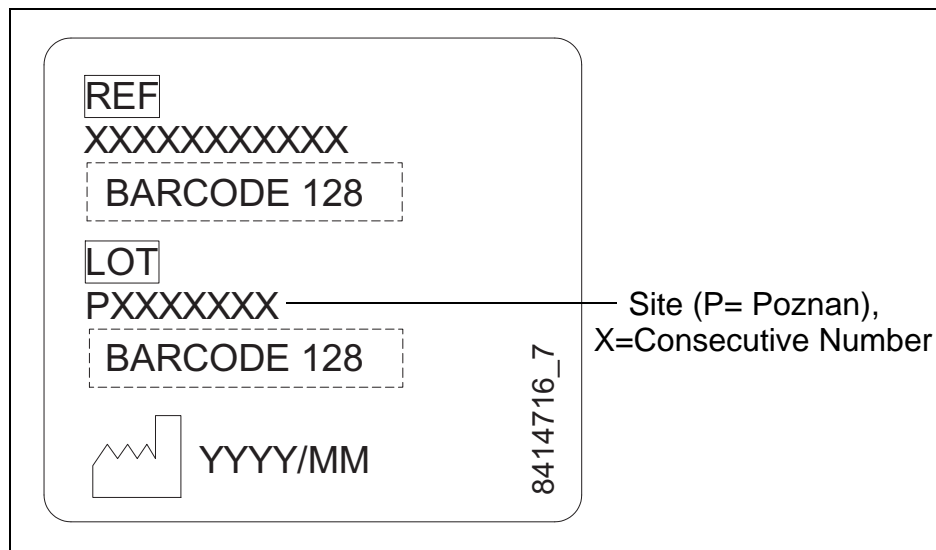
## How to order

Before ordering spare parts study the exploded view closely and make sure that you note all involved spare parts.

Please note that gaskets and o-rings normally are included in kits and can not be ordered separately.

When taking contact with ArjoHuntleigh Parts sales always have the following information at hand:

- Correct name of the product. See type label.
- The serial number of the product. See labels.



:

.

## *Contents Carino 2010 (BOC100x-01)*

---

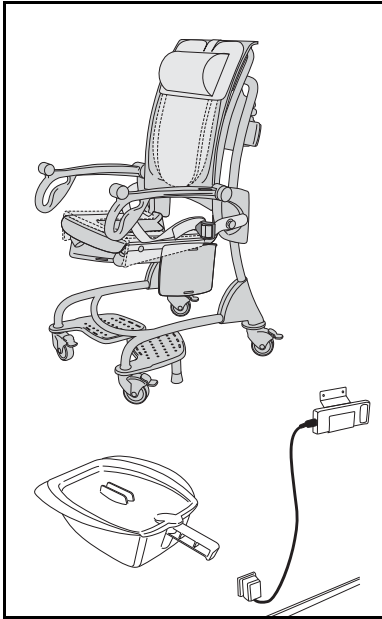
<b>Overview</b> .....	<b>4</b>
<b>A General</b> .....	<b>6</b>
<b>B Chassis</b> .....	<b>8</b>
<b>C Seat</b> .....	<b>10</b>
<b>D Lifting Unit</b> .....	<b>12</b>
<b>Preventive Maintenance Parts/Recommended Spares</b> ....	<b>14</b>
<b>Service Articles and Special Tools</b> .....	<b>15</b>

## *Overview*

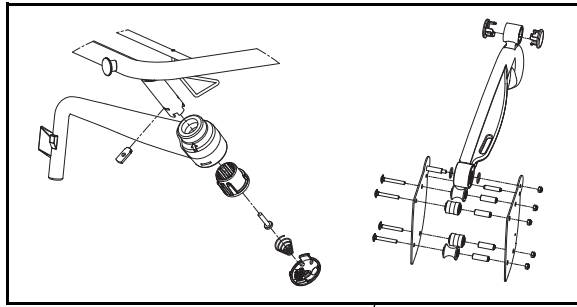
<b>Pos</b>	<b>Description</b>	<b>See page</b>
<b>A</b>	General	6
<b>B</b>	Chassis and seat	8
<b>C</b>	Seat	10
<b>D</b>	Lifting Unit	12

# Overview

**A**

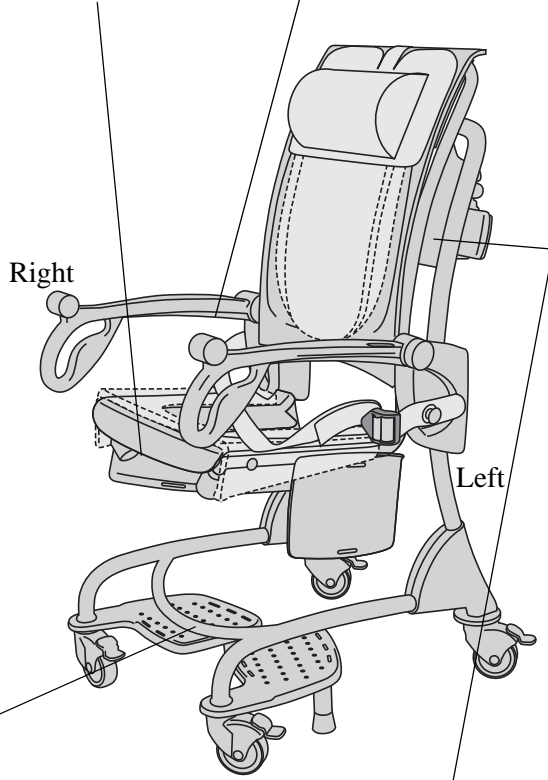


**C**

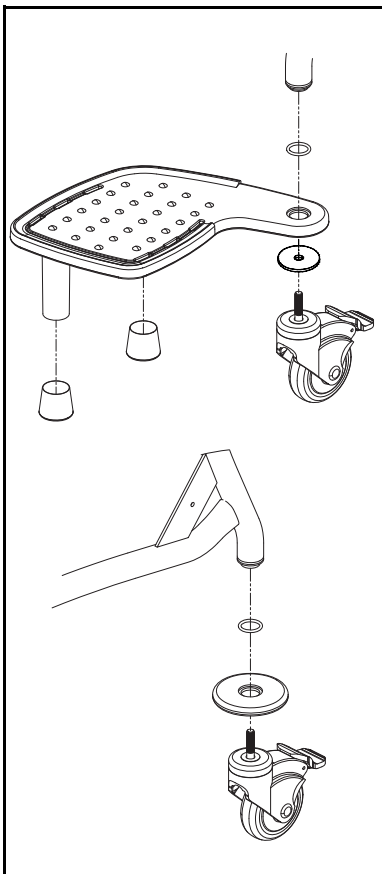


Right

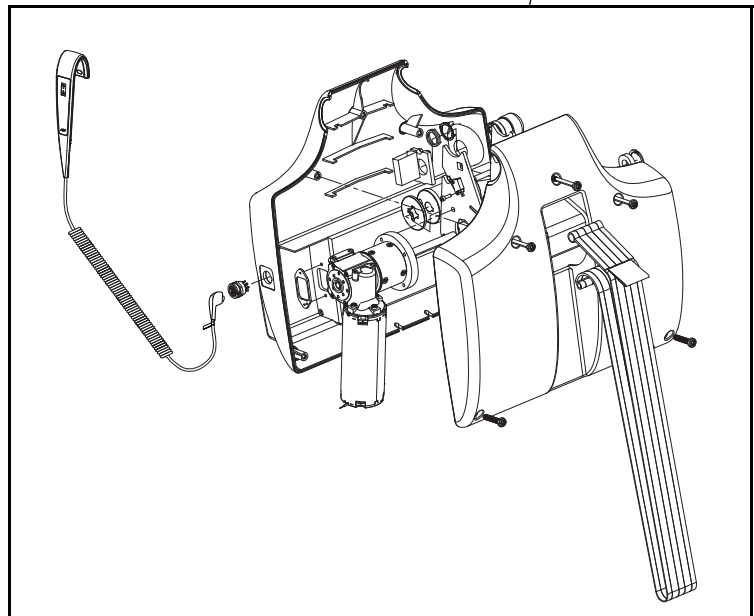
Left



**B**



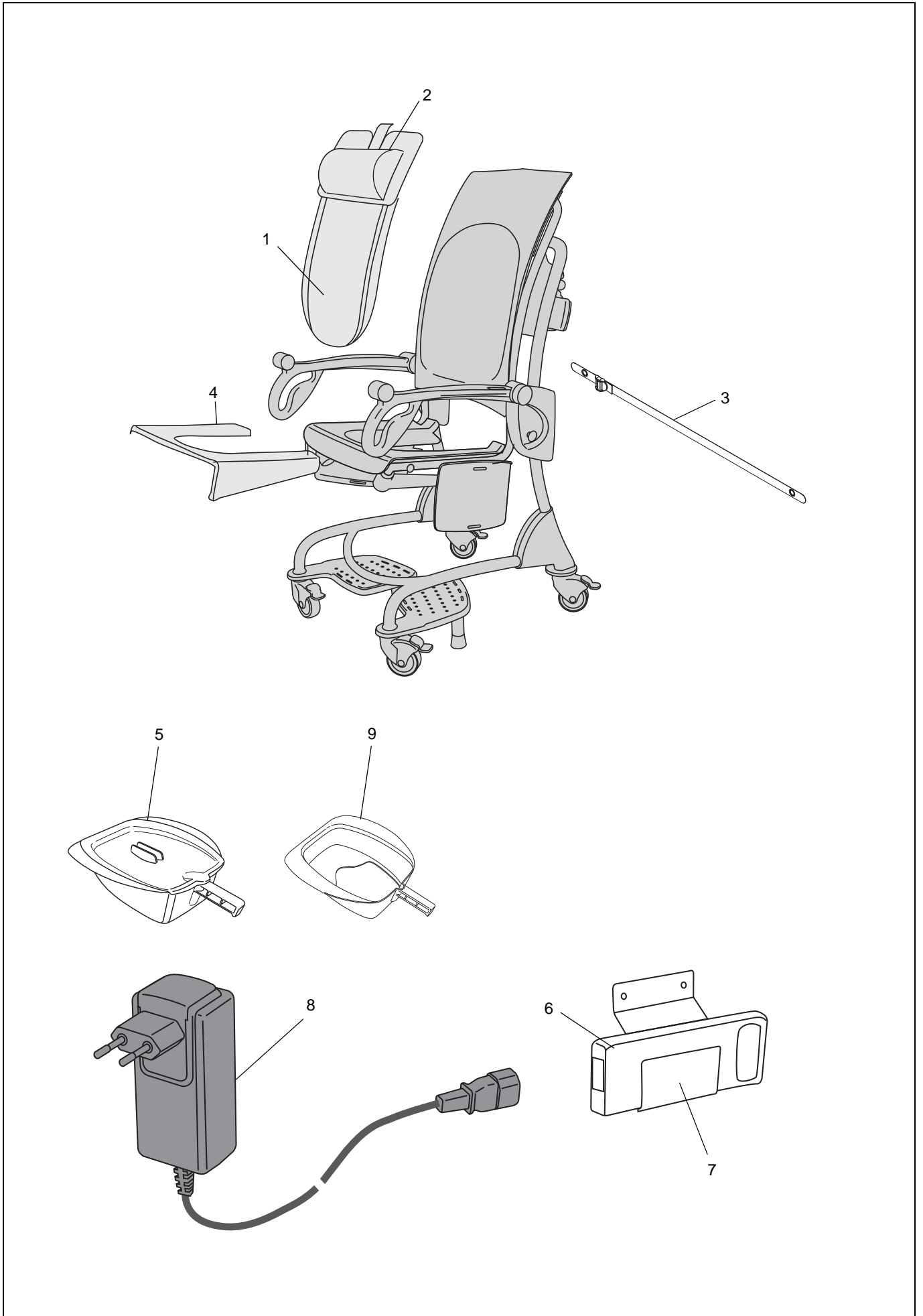
**D**



**A***General*

<b>Pos</b>	<b>Art. No.</b>	<b>Qty</b>	<b>Description</b>	<b>From ser. No.</b>	<b>Up to ser. No.</b>	<b>Remarks</b>
<b>1</b>	NEA 0001-031	1	Back Pillow			
<b>2</b>	8350897-031	1	Neck Pillow			
<b>3</b>	S8662611-03	1	Safety Belt			In production1206000968.
<b>4</b>	NEA 0005	1	Seat Cushion			
<b>5</b>	CDA1500-07	1	Bed Pan			
<b>6</b>	NEA 0100-083	1	Battery			
<b>7</b>	8350891-031	1	Battery Holder			
<b>8</b>	NEA8000-WW NEA8000-AU	1	Battery Charger			New version autumn 2013, AU-ver- sion also used for Japan
<b>9</b>	CDA1600-07	1	Toilet Adaptor			

A

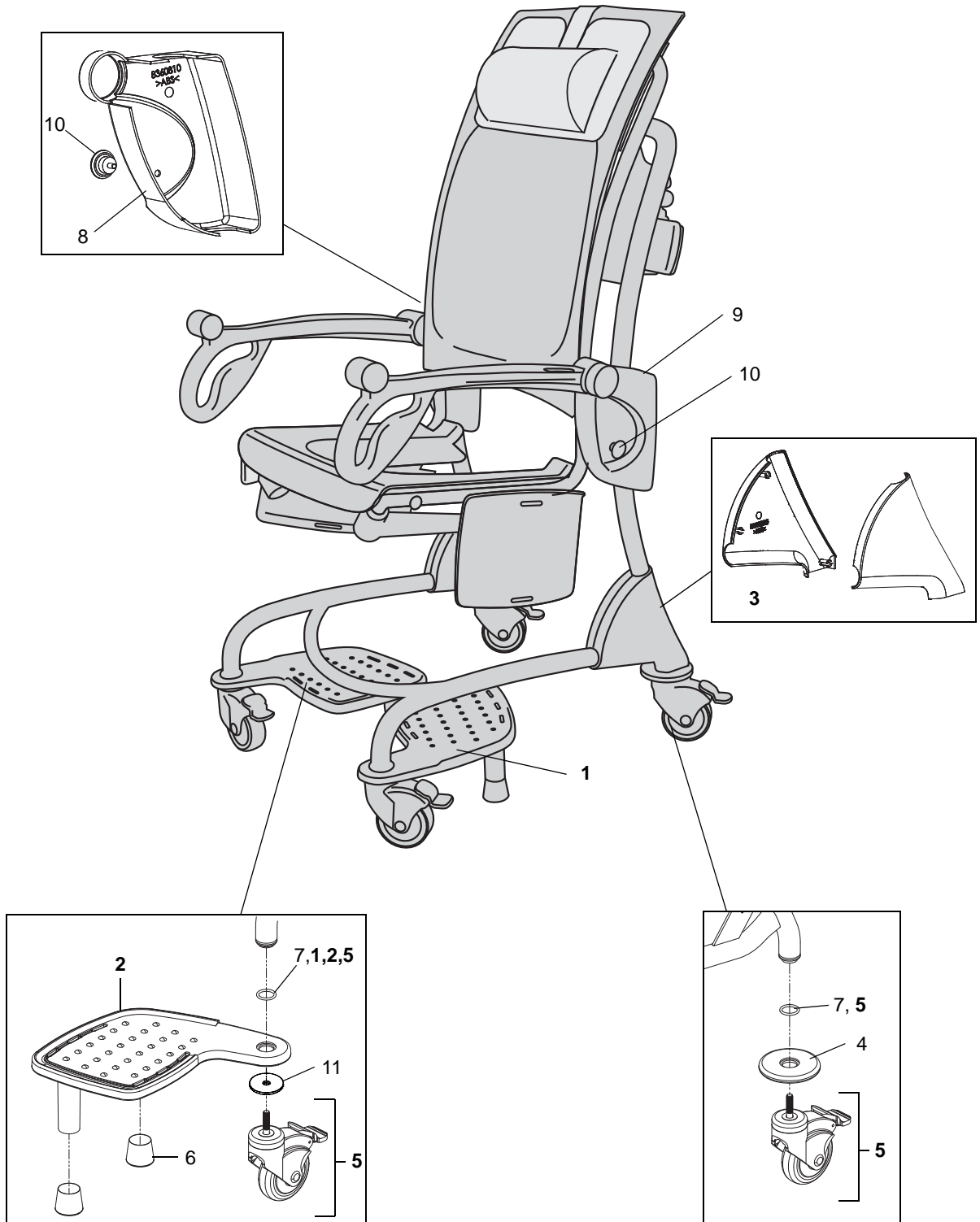


**B****Chassis**

<b>Pos</b>	<b>Art. No.</b>	<b>Qty</b>	<b>Description</b>	<b>From ser. No.</b>	<b>Up to ser. No.</b>	<b>Remarks</b>
1	8547077-035	1	Foot Support, left			Incl pos 6,7
2	8547078-035	1	Foot Support, right			Incl pos 6,7
3	8547079-035	2	Cover Chassis, kit			
4	8360921-035	2	Protection Ring			
5	8547076	4	Castor, kit			Use Castor replacement tool, see page 15
6	6305150	4	Foot			
7	6262465	4	O-ring			
8	8360810-035	1	Carriage Cover, right			
9	8360809-035	1	Carriage Cover, left			
10	8456474-013	2	Knob			
11	8455977	2	Washer			



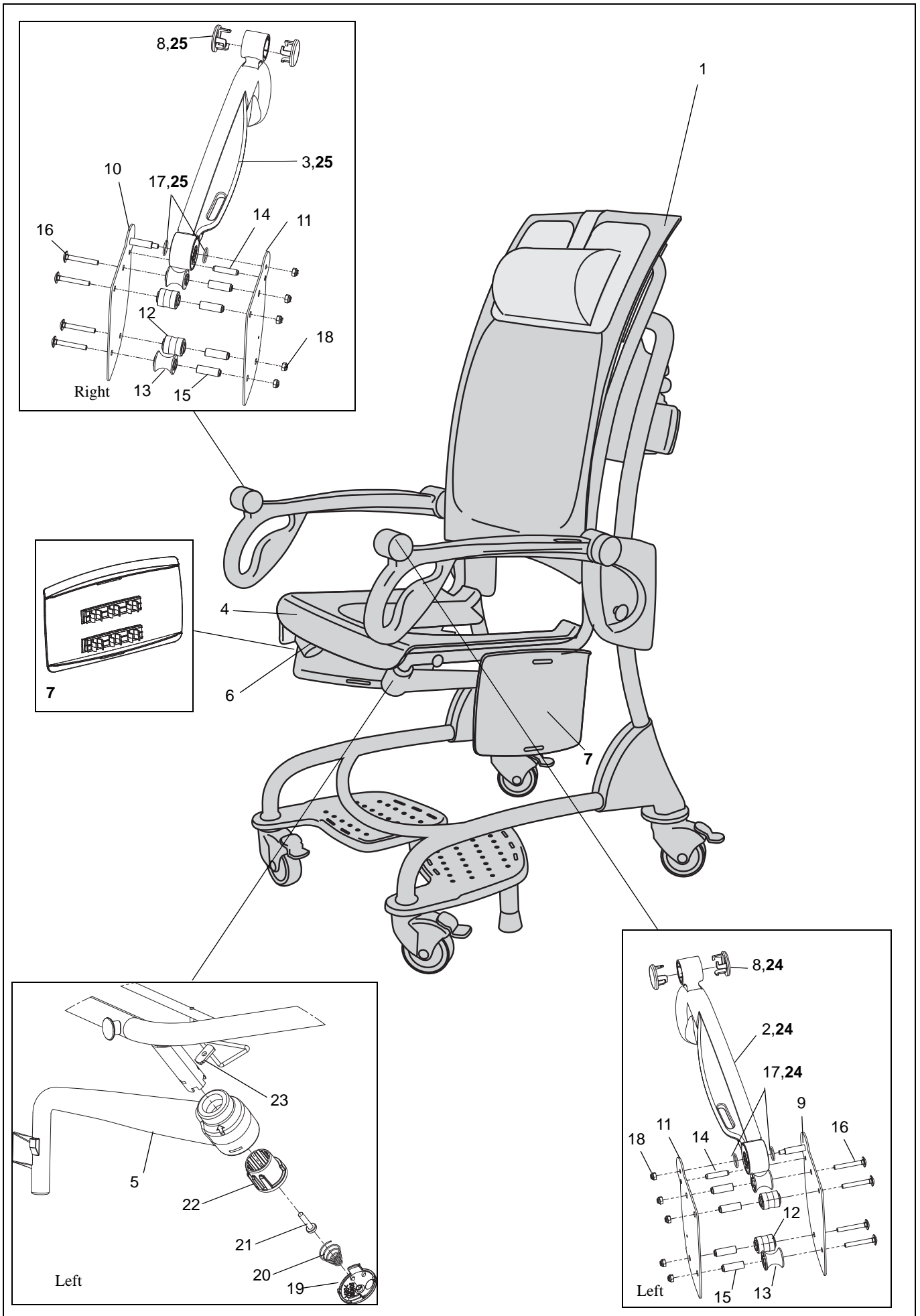
B



**C***Seat*

<b>Pos</b>	<b>Art. No.</b>	<b>Qty</b>	<b>Description</b>	<b>From ser. No.</b>	<b>Up to ser. No.</b>	<b>Remarks</b>
1	8160762-013	1	Backrest			
2	8160823-014	1	Armrest, left			
3	8160765-014	1	Armrest, right			
4	8256287-013	1	Seat, dark blue			
5	8360805-035	1	Leg Support Arm, left			
6	8360804-035	1	Leg Support Arm, right			
7	<b>8546860-013</b>	2	<b>Leg Support ,dark blue</b>			
8	8460816-083	4	Armrest knob			
9	8360817-013	1	Plate, left			
10	8360818-013	1	Plate, right			
11	8260771	2	Plate			
12	8460842	4	Roller, guide			
13	8460843	4	Roller, support			
14	8460782	2	Stop pin			
15	8460768	8	Spacer			
16	6190590-013	8	Bolt			
17	6262441	4	O-ring			
18	6210044	10	Locking Nut A4 DIN 985 M8-80			
19	8360806-035	2	Cover leg support			
20	6305174	2	Spring			
21	6190511	2	Screw A4-MRT-TT ISO 14583 M6x25			BUMAX HARD
22	8360807	2	Bearing			
23	8460803	2	Locking plate			
24	<b>8547093-014</b>	1	<b>Armrest complete, left</b>			
25	<b>8547092-014</b>	1	<b>Armrest complete, right</b>			

C

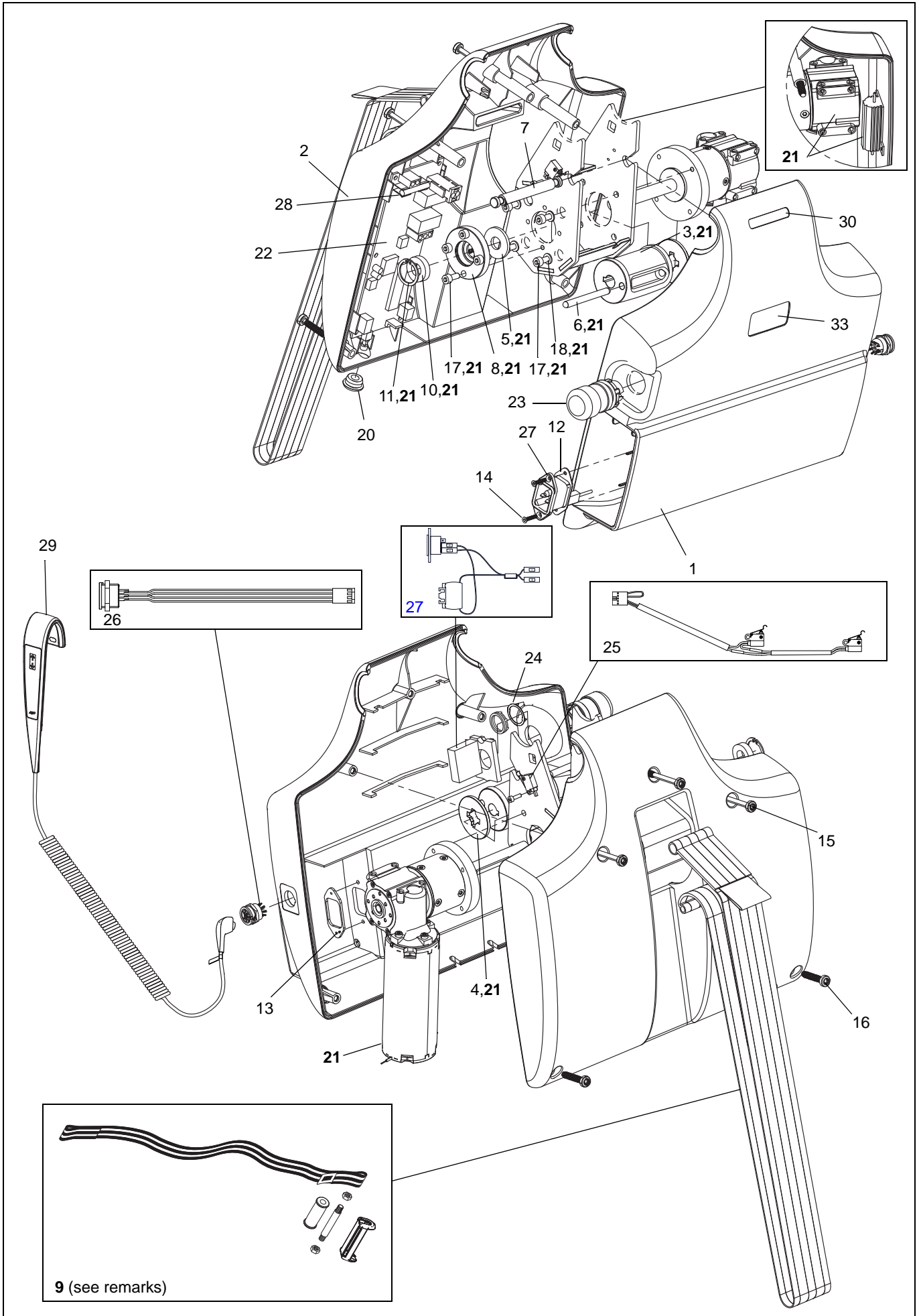


## D

## Lifting Unit

Pos	Art. No.	Qty	Description	From ser. No.	Up to ser. No.	Remarks
1	8360821-014	1	Cover, back			
2	8360822-014	1	Cover, front			
3	8360799	1	Drum			
4	8460801	1	Washer, drum			
5	8460819	1	Washer, bearing			
6	8460800	1	Pin, drum			
7	8460802	1	Shaft			
8	8460820	1	Bearing house			
9	<b>8547080-013</b>	1	<b>Lift Strap Replacement Kit</b>			
10	6310132	1	Ball bearing			
11	6319532	1	Clip			
12	8451301	1	Gasket			
13	8451284	1	Washer			
14	6190245	1	Screw A4-MFX ISO 7046 M3x16-80-Z			
15	6190587	3	Screw WN 5452 60x60 zinc plated			
16	6190588	2	Screw WN 5452 60x30 zinc plated			
17	6130512	8	Screw A4 MC6S ISO 4762 M5x12-80			
18	6200002	4	Washer A4 BRB ISO 7089 5.3x10x1			200HV
19	6130310	2	Screw A4 MC6S ISO 4762 M3x10-88			BUMAX
20	6316270	1	Plug			
21	<b>8547081</b>	1	<b>Kit Motor</b>			Incl pos 3-6,8,10,11,17,18. <a href="#">New version motor PO345271</a>
22	8663773	1	PCB			New part number 1303001104
23	6319516	1	Push Button, red			
24	8664495	1	Rotation stop			<a href="#">Introduced 1311000603</a>
25	8361614	1	Microswitch Harness			
26	8361615	1	Handcontrol Harness			
27	S8561617	1	Battery Harness			<a href="#">New version including cabling emergency stop PO345271.</a>
28	6379273	1	Fuse T5AL 250V 6,3x32mm			
29	8560008	1	Handcontrol			
30	8418758	1	Carino Logo			
31	8418741	1	Label read Manual			
32	8418762	1	Label Emergency lowering			
33	8418700	1	ARJOHuntleigh Logo			

D



# Carino

## Preventive Maintenance Parts/Recommended Spares

---

Preventive Maintenance Parts	Part number	Number of Carino		Page
		1	5	
<b>Castor Kit (Use Castor replacement tool)</b>	<b>8547076</b>	4	20	<b>B:5</b>
Safety belt	S8662611-03	1	5	<b>A:3</b>

Recommended Spares	Part number	Number of Carino		Page
		1	5	
Backrest	8160762-013	1	1	<b>C:1</b>
Battery	NEA 0100-083	1	2	<b>A:6</b>
Carriage Cover, left	8360810-035	1	1	<b>B:9</b>
Carriage Cover, right	8360809-035	1	1	<b>B:8</b>
Foot	6305150	2	4	<b>B:6</b>
<b>Foot Support, left</b>	<b>8547077-035</b>	1	1	<b>B:1</b>
<b>Foot Support, right</b>	<b>8547078-035</b>	1	1	<b>B:2</b>
Fuse T5AL 250V 6,3x32mm	6379273	1	1	<b>D:28</b>
Handcontrol	8560008	1	2	<b>D:29</b>
<b>Leg Support</b>	<b>8546860-013</b>	2	2	<b>C:7</b>
<b>Lift Strap Replacement Kit</b>	<b>8547080-013</b>	1	1	<b>D:15</b>
<b>Cover Chassis, kit</b>	<b>8547079-035</b>	1	1	<b>B:3</b>
PCB	8663773	1	1	<b>D:22</b>
Seat	8256287-013	1	1	<b>C:4</b>

# Carino

## Service Articles and Special Tools

---

Service Articles	Type	Quantity	Part number
Shell Gadus S3 A1300C	Lubrication	400g cartridge	6907945
OKS1110	Lubrication	100g	6907954
Touch-up paint	Grey	20ml	6951007-031
Touch-up paint	Dark Blue	20ml	6951007-31

Special Tools	Part number
Battery Condition Tester (Electric version)	8662950
Spare Part bulb for 8662950	S6311425
Logger	8559816
Castor replacement tool	8547075 (extension+special socket)









---

## GETINGE GROUP

**Getinge Group** is a leading global provider of products and systems that contribute to quality enhancement and cost efficiency within healthcare and life sciences. We operate under the three brands of **ArjoHuntleigh**, **Getinge** and **Maquet**. **Getinge** provides solutions for infection control within healthcare and contamination prevention within life sciences. **Maquet** specializes in solutions, therapies and products for surgical interventions, interventional cardiology and intensive care.

---

## ARJOHUNTLEIGH

GETINGE GROUP

ArjoHuntleigh focuses on patient handling and hygiene, disinfection, DVT prevention, medical beds, therapeutic surfaces and diagnostics.



ArjoHuntleigh AB  
Hans Michelsensgatan 10  
211 20 Malmö, Sweden

