

# User Manual



**DEALER:** These instructions **MUST** be given to the user of the product.

**USER:** **BEFORE** using this product, read this manual and save for future reference.

**Yes, you can.**

## *Fixed Trapeze—G7740CS*

### 1 General

Check all parts for shipping damage. If damage is found, **DO NOT** use this product. Contact Carrier/Invacare for further instructions.

To ensure the safe use of the trapeze, these instructions **MUST** be followed:

#### 1.1 Symbols

Signal words are used in this manual and apply to hazards or unsafe practices which could result in personal injury or property damage. See the information below for definitions of the signal words.



### DANGER

Danger indicates an imminently hazardous situation which, if not avoided, will result in death or serious injury.



### WARNING

Warning indicates a potentially hazardous situation which, if not avoided, could result in death or serious injury.



### CAUTION

Caution indicates a potentially hazardous situation which, if not avoided, may result in property damage or minor injury or both.



Gives useful tips, recommendations and information for efficient, trouble-free use.



Safe Working Load Symbol



General Mandatory Action Symbol  
(ISO 70140 - M001)



Pushing Prohibited Symbol  
(ISO 70140 - M001)

#### 1.2 Service Life

The expected service life of the G7740CS Fixed Trapeze is two (2) years from the date of purchase.

## 2 Safety



### DANGER: RISK OF INJURY OR DEATH

Bed accessories designed by other manufacturers have NOT been tested by Invacare. Use of NON-Invacare bed accessories may result in injury or death.

- Use ONLY Invacare rails, mattresses, bed extenders and other accessories with Invacare bed products.

- The G7740CS Trapeze is only for use with the G-series bed.

Continued use of product with damaged parts could lead to the product malfunctioning. Check ALL product components and carton for damage and test before use. In case of damage or if the product is not working properly, contact a qualified technician or Invacare for repair. Set-up and assembly instructions MUST be performed by qualified technicians only.



### WARNING: RISK OF INJURY OR DAMAGE

Improper use of this product may cause injury or damage.

—If you are unable to understand the warnings, cautions or instructions, contact a healthcare professional, dealer or technical personnel before attempting to use this equipment.

—Do not use this product or any available optional equipment without first completely reading and understanding these instructions and any additional instructional material such as user manuals, service manuals or instruction sheets supplied with this product or optional equipment.

—This trapeze, used in conjunction with a bed, can assist an individual to the safe working load stated in this manual. The trapeze is designed to provide support, increase stability and assist the user when repositioning in the bed. The trapeze is not designed to support the total body weight of an individual. Use is for assistance only.

—The trapeze MUST be installed onto beds with metal framed headboards only.

—Always be aware of the location of the boom tube, base assemblies and grab bar.

—DO NOT store grab bar on the boom tube or mast.

—DO NOT install or adjust the trapeze while the bed is occupied.

—After any adjustments, repair or service and before use, make sure all attaching hardware is tightened securely.



Safe Working Load of trapeze is 168 lb. (76.5 kg). DO NOT exceed 168 lb. (76.5 kg).



## 3 Attaching the Brackets onto the Bed End

### 3.1 Installing the Lower Trapeze Bracket onto the Bed End



For this procedure, refer to FIGURE 1 on page 3.

1. Loosen the adjustment knobs A enough so that the trapeze bracket can fit on bed end.



When performing STEP 2, the trapeze bracket MUST be positioned so the hook fits between the locating features on the bed end cover. Ensure there is no interference between the bracket and the gearbox and drive shaft.

2. Position the lower trapeze bracket B onto the bottom of the bed end C with hook D facing up.
3. Securely tighten the adjustment knobs to secure the lower trapeze bracket to the bed end.

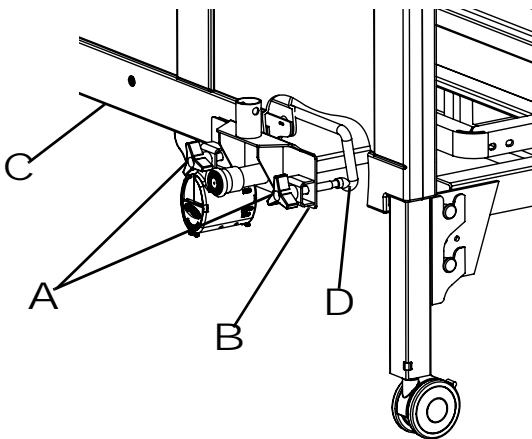


FIGURE 1 Installing the Lower Trapeze Bracket onto the Bed End

## 4 Installing Trapeze Handle and Mounting Bracket onto Trapeze Tube



For this procedure, refer to FIGURE 2 on page 3.



### WARNING

When sliding the trapeze handle bracket onto the trapeze tube, ensure to slide the bracket beyond button location. Otherwise, bracket could slide off the end of the trapeze tube resulting in injury.

1. Press button A at the end of the trapeze tube B.
2. Slide trapeze handle bracket C onto the trapeze tube.
3. Slide bracket beyond the button.
4. Slide the upper trapeze bracket D onto the trapeze tube with hook E facing down.

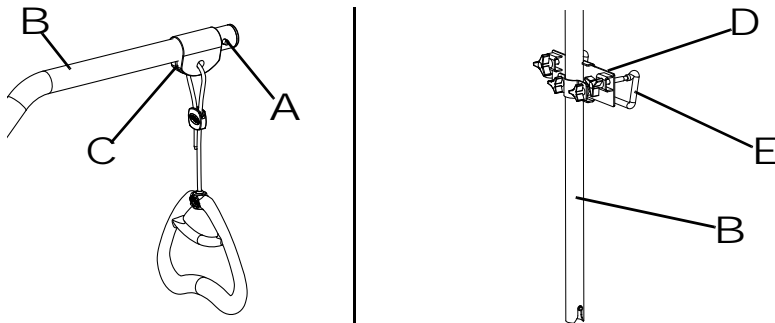


FIGURE 2

## 5 Installing the Trapeze Tube onto the Bed End

1. Position the upper trapeze bracket A on the top of the bed end with the hook B facing down.
2. Position the bottom of the trapeze tube C over the vertical tube D of the lower trapeze bracket E (Detail "A").
3. Align the slot F on the trapeze tube with the pin on the lower trapeze bracket assembly (Detail "B").
4. While holding the trapeze tube vertically in place, securely tighten the two adjustment knobs G on the lower trapeze bracket (Detail "C"). This will secure the lower trapeze bracket to the bed end.
5. Securely tighten the adjustment knobs on the upper trapeze bracket. This will secure the trapeze tube to the upper trapeze bracket (Detail "C").

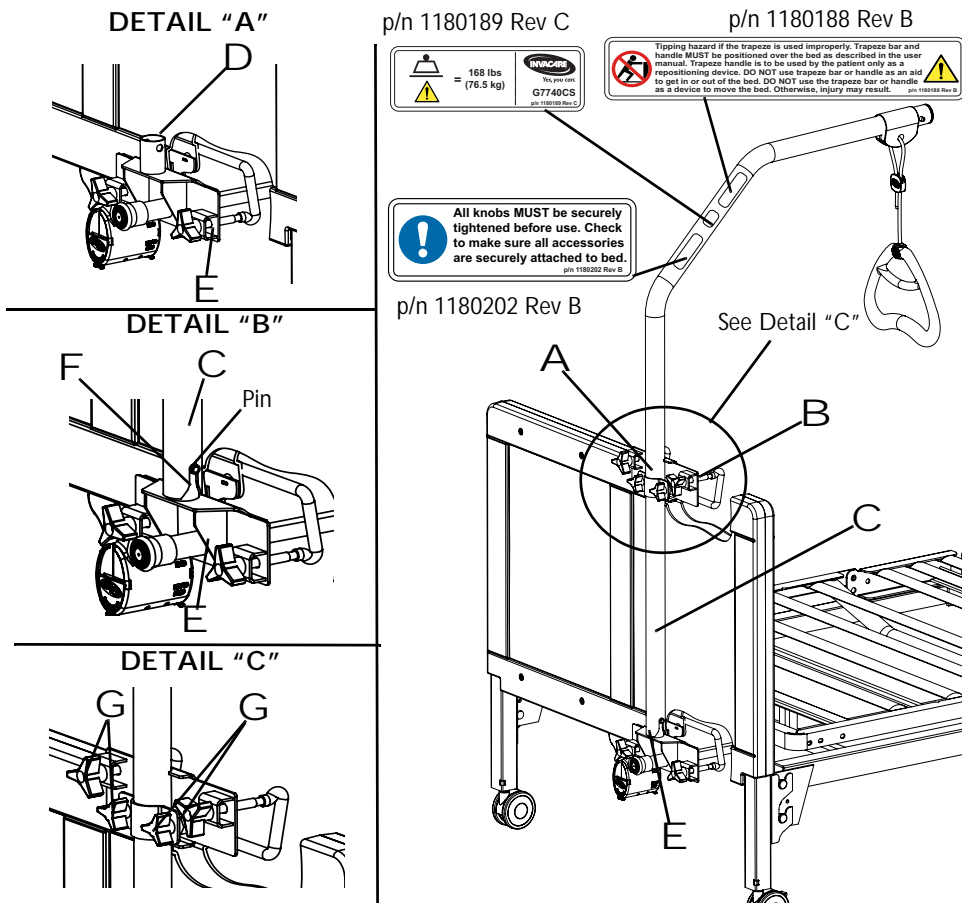


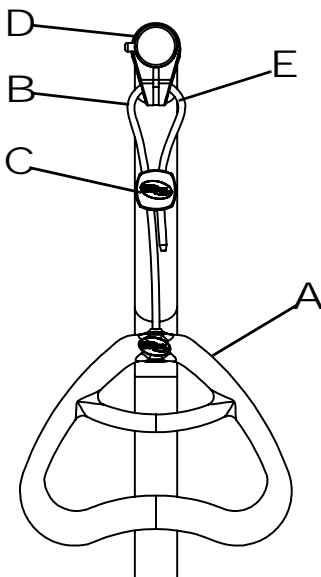
FIGURE 3 Installing the Trapeze Tube onto the Bed End

## 6 Adjusting the Height of the Trapeze Handle



When performing STEP 2, pull the side of the rope that is attached to the trapeze handle and is threaded through hole in trapeze tube D. Do not pull the side of the rope that is cut off shortly below the locking bracket E.

1. Locate the side of the rope attached to the trapeze handle A.
2. Grab the rope B above the locking bracket C and pull the rope outward, away from the locking bracket. This will disengage the rope from the “teeth” located inside the locking bracket.
3. With the rope pulled outward, perform one of the following:
  - Slide the rope up to raise the handle.
  - Slide the rope down to lower the handle.
4. Once at the desired height is obtained, release the rope. The rope will relax into the vertical position and automatically engage into the “teeth” inside the locking bracket.
5. Gently, pull on the handle to ensure handle is locked in place.



**FIGURE 4** Adjusting the Height of the Trapeze Handle

---

## 7 Warranty

---

**PLEASE NOTE: THE WARRANTY BELOW HAS BEEN DRAFTED TO COMPLY WITH FEDERAL LAW APPLICABLE TO PRODUCTS MANUFACTURED AFTER JULY 4, 1975.**

This warranty is extended only to the original purchaser/user of our products. This warranty gives you specific legal rights and you may also have other legal rights which vary from state to state.

Invacare warrants its product to be free from defects in materials and workmanship for one year for the original purchaser. If within such warranty period any such product shall be proven to be defective, such product shall be repaired or replaced, at Invacare's option. This warranty does not include any labor or shipping charges incurred in replacement part installation or repair of any such product. Invacare's sole obligation and your exclusive remedy under this warranty shall be limited to such repair and/or replacement.

For warranty service, please contact the dealer from whom you purchased your Invacare product. In the event you do not receive satisfactory warranty service, please write directly to Invacare at the address on the back page. Provide dealer's name, address, model number, and the date of purchase, indicate nature of the defect and, if the product is serialized, indicate the serial number.

Invacare Corporation will issue a return authorization. The defective unit or parts must be returned for warranty inspection using the serial number, when applicable, as identification within thirty (30) days of return authorization date. DO NOT return products to our factory without our prior consent. C.O.D. shipments will be refused; please prepay shipping charges.

**LIMITATIONS AND EXCLUSIONS: THE WARRANTY SHALL NOT APPLY TO PROBLEMS ARISING FROM NORMAL WEAR OR FAILURE TO ADHERE TO THE ENCLOSED INSTRUCTIONS. IN ADDITION, THE FOREGOING WARRANTY SHALL NOT APPLY TO SERIAL NUMBERED PRODUCTS IF THE SERIAL NUMBER HAS BEEN REMOVED OR DEFACED; PRODUCTS SUBJECTED TO NEGLIGENCE, ACCIDENT, IMPROPER OPERATION, MAINTENANCE OR STORAGE; OR PRODUCTS MODIFIED WITHOUT INVACARE'S EXPRESS WRITTEN CONSENT INCLUDING, BUT NOT LIMITED TO: MODIFICATION THROUGH THE USE OF UNAUTHORIZED PARTS OR ATTACHMENTS; PRODUCTS DAMAGED BY REASON OF REPAIRS MADE TO ANY COMPONENT WITHOUT THE SPECIFIC CONSENT OF INVACARE; PRODUCTS DAMAGED BY CIRCUMSTANCES BEYOND INVACARE'S CONTROL; PRODUCTS REPAIRED BY ANYONE OTHER THAN AN INVACARE DEALER, SUCH EVALUATION SHALL BE SOLELY DETERMINED BY INVACARE.**

**THE FOREGOING EXPRESS WARRANTY IS EXCLUSIVE AND IN LIEU OF ALL OTHER EXPRESS WARRANTIES WHATSOEVER, WHETHER EXPRESS OR IMPLIED, INCLUDING THE IMPLIED WARRANTIES OF MERCHANTABILITY AND FITNESS FOR A PARTICULAR PURPOSE AND THE SOLE REMEDY FOR VIOLATIONS OF ANY WARRANTY WHATSOEVER, SHALL BE LIMITED TO REPAIR OR REPLACEMENT OF THE DEFECTIVE PRODUCT PURSUANT TO THE TERMS CONTAINED HEREIN. THE APPLICATION OF ANY IMPLIED WARRANTY WHATSOEVER SHALL NOT EXTEND BEYOND THE DURATION OF THE EXPRESS WARRANTY PROVIDED HEREIN. INVACARE SHALL NOT BE LIABLE FOR ANY CONSEQUENTIAL OR INCIDENTAL DAMAGES WHATSOEVER.**

**THIS WARRANTY SHALL BE EXTENDED TO COMPLY WITH STATE/ PROVINCIAL LAWS AND REQUIREMENTS.**

# 8 Usability Survey

Please complete the survey below to evaluate this manual.

Your participation in the evaluation assists in the development of effective and usable manuals for our customers.

The survey is also available online:

<http://www.invacare.com/TechnicalDocumentSurvey>

1. Please indicate your primary involvement with the product (Choose one):

- Product User/Owner
- User Assistant
- Product Dealer
- Product Service Technician
- Health Care Provider
- Other (Please specify):

\_\_\_\_\_

2. Please indicate which product manual you are evaluating:

\_\_\_\_\_

3. Evaluate the content:

YES NO

After reading this document, do you have a better understanding of how to use the product?  YES  NO

Do you have a better understanding of any limitations on the use of this product?  YES  NO

Is there any irrelevant information?  YES  NO

Is the Table of Contents useful?  YES  NO

Does any information seem inaccurate/misleading?  YES  NO

Do you understand that misuse of the product can cause injury or damage?  YES  NO

Explain:

\_\_\_\_\_  
\_\_\_\_\_

4. Evaluate the Warnings/Cautions:

YES NO

Are there any warnings/cautions that you do not understand?  YES  NO

Are there too many warnings/cautions?  YES  NO

Are there warnings/cautions that you feel do not apply to this product?  YES  NO

Explain:

\_\_\_\_\_  
\_\_\_\_\_

5. Evaluate the style:

YES NO

Is anything hard to locate/follow?  YES  NO

Are any headings missing/confusing?  YES  NO

Are there too many headings?  YES  NO

Should any material be a bulleted list or checklist instead of numbered steps or a paragraph?  YES  NO

Is there material that might be clarified by a visual?  YES  NO

Explain:

\_\_\_\_\_  
\_\_\_\_\_

6. Evaluate the illustrations:

YES NO

Are the illustrations useful?  YES  NO

Do the illustrations need more or less detail?  YES  NO

Is the number/size of illustrations adequate?  YES  NO

Explain:

\_\_\_\_\_  
\_\_\_\_\_

7. Do you have suggestions for other ways of making this document easier to use?

- Yes
- No

Explain:

\_\_\_\_\_  
\_\_\_\_\_

## Thank You!

Thank you for completing this survey. If you have any questions or we may be of assistance to you, please feel free to contact us. Send your survey to:

Invacare Technical Writing Department  
Invacare Corporation  
One Invacare Way Elyria, OH 44035  
[TechnicalWriting@invacare.com](mailto:TechnicalWriting@invacare.com)



**Yes, you can.**

**Invacare Corporation**

[www.invacare.com](http://www.invacare.com)

**USA**

One Invacare Way  
Elyria, Ohio USA  
44036-2125  
800-333-6900

**Canada**

570 Matheson Blvd E Unit 8  
Mississauga Ontario  
L4Z 4G4 Canada  
800-668-5324

© 2016 Invacare Corporation.  
All rights reserved.  
Republication, duplication or  
modification in whole or in part  
is prohibited without prior  
written permission from  
Invacare. Trademarks are  
identified by <sup>TM</sup> and <sup>®</sup>. All  
trademarks are owned by or  
licensed to Invacare Corporation  
or its subsidiaries unless  
otherwise noted.

Part No 1180185

Rev B-01 - 1/26/16

