

511-103 Boarding Net

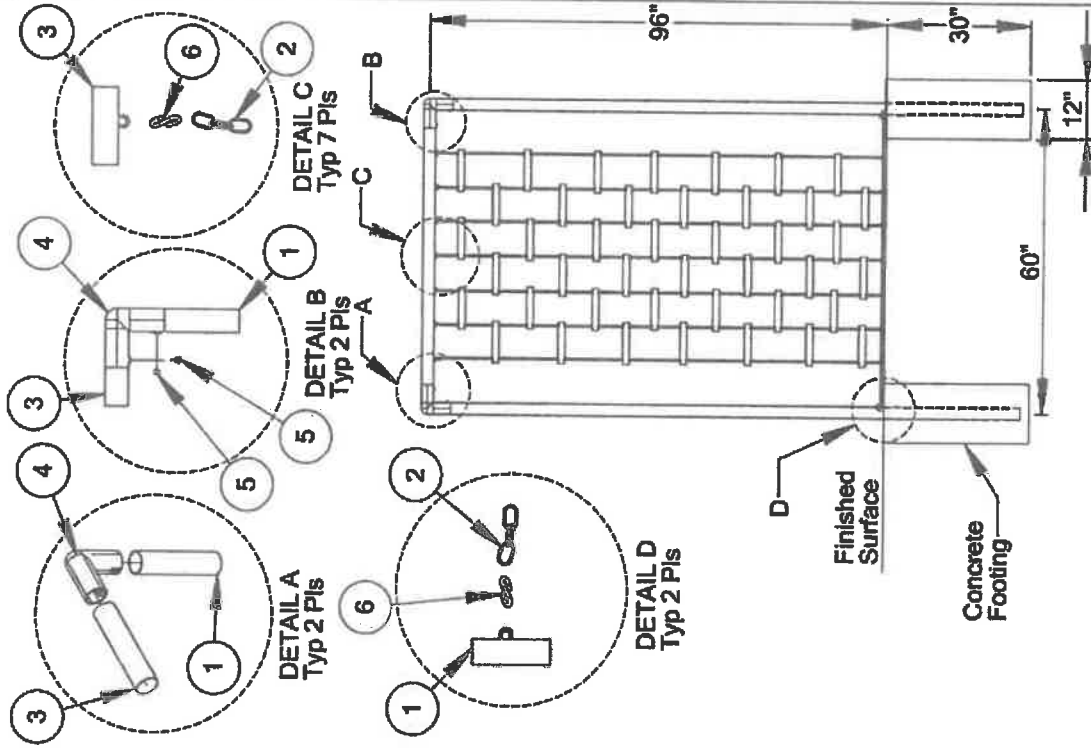
Packing List

1	CTN	Hardware Bag
1	103-411	Boarding Net
2	502-501	Elbow 2 7/8" OD 8 ga
2	513-603	Net Post 2 3/8" OD x 10' 11 ga
1	103-202	Net Bar 2 3/8" x 5' 12 ga

Hardware Bag

4	196-802	1/2" x 1/2" Socket Set Screw
9	585-901	S-Hook
1	416-400	1/4" Socket Key
1	805-535	Warning Label
1	805-534	SportsPlay Label
1		Maintenance Checklist

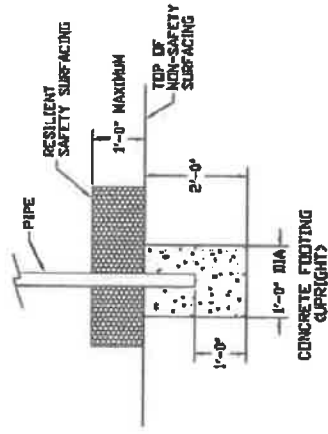
1 CTN 1 BDL 2 TOTAL PCS
WEIGHT 110# CLASS 70



Concrete Footing/Suggested Bracing:

Please retain these instructions in your files. It contains important replacement parts information. All equipment should be installed in accordance with these instructions.

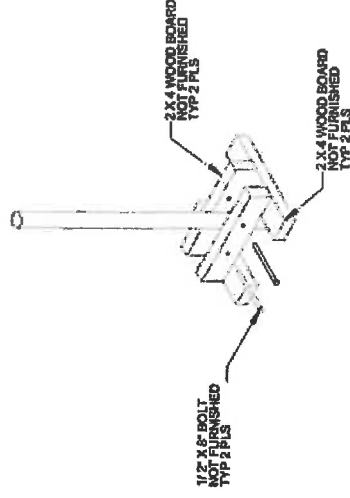
It is important to use and maintain all public playground equipment properly. Playground equipment which is improperly maintained can cause serious injury. Periodical inspections, maintenance, repair and/or replacement of damaged parts is necessary for safe operation of equipment and safety of users. Resilient surfacing should be used under ALL playground equipment. Appropriate publications, available at no charge, from the Consumer Product Safety Commission, include "A Handbook for Public Playground Safety". You can receive your free copy by calling 1-310-504-7908.



General Use/Fall Zone & Footing Recommendations

Stationary and portable equipment – use/fall zones should extend a MINIMUM of 6 feet in all directions from the perimeter of the equipment ground space. This area should be covered with the required amount of resilient safety surfacing material. For some equipment – use/fall zones can overlap. See Consumer Product Safety Commission guidelines. Diameter and depth of footing illustrated are satisfactory in most applications for pipe sized up to 2 3/8" diameter. Varying soil and climactic conditions may require deeper and heavier footings in some areas. Check local building codes. If resilient surfacing is to be less than 12", then additional pipe should be put in concrete to maintain proper finish grade for equipment.

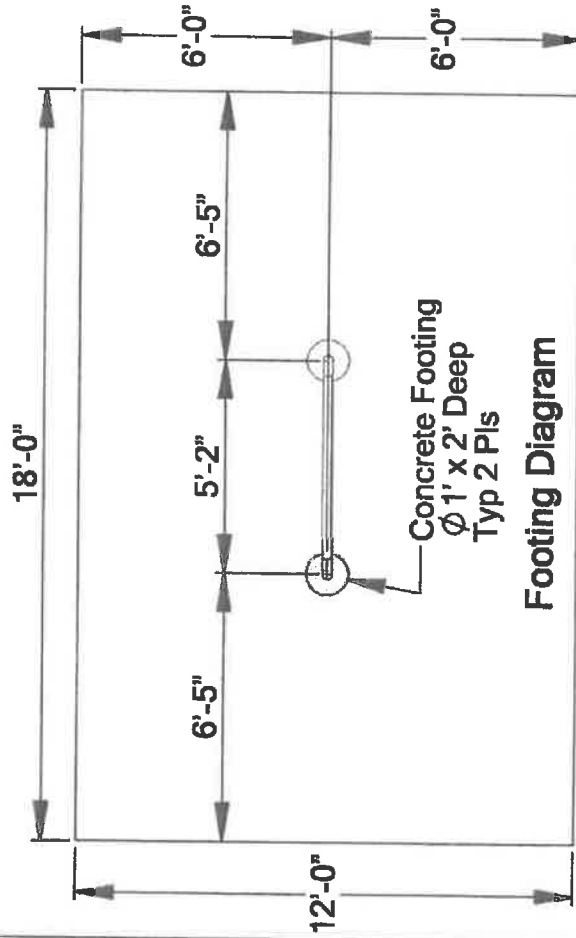
SUGGESTED BRACING METHOD



511-103 Boarding Net

Page 3 of 3
rev: 05/25/2005

Use Area & Footing Layout:



unit has been plumbed and leveled. After assembly is complete, ANY ENDS OF BOLTS PROTRUDING BEYOND NUTS SHOULD BE CUT OFF AND/OR PEENED OVER TO REMOVE ANY SHARP EDGES. Go over entire unit to file smooth any sharp edges or projections that may have been caused by rough handling in shipping or installation. T-Clamps are designed for both one and two bolt connections. In many situations only one bolt is required. See specific assembly instructions. On products with platforms, install 1-2 degrees off level to facilitate water drainage.

General Maintenance Instructions:

Check MONTHLY for loose bolts, damaged or broken parts. Tighten and/or replace immediately.

Specific Instructions:

NOTE: All threaded ends of bolts protruding beyond nuts must be cut off and/or peened to eliminate sharp edges. No more than two threads should extend beyond face of nut.

General Assembly Instructions:

Check all parts and hardware with the parking list to be sure you have received everything needed to assemble this product. CONTACT YOUR DISTRIBUTOR WITH NOTIFICATION OF ANY MISSING OR DAMAGED PARTS. Contact must be made within ten days of receipt of your order.

Only hand-tighten nuts and bolts on initial assembly. Final tightening should be done EVENLY after final assembly when

1. Mark & dig footing holes per drawing found above/left.
2. Assemble on the ground. Attach elbows (503-501) to each end of the Net Bar (103-202) per Detail A found on page 1.
3. Attach posts (513-603) to each of the Elbows (503-501) per Detail B found on page 1.

511-103 Boarding Net

Page 4 of 4
rev: 05/25/2005

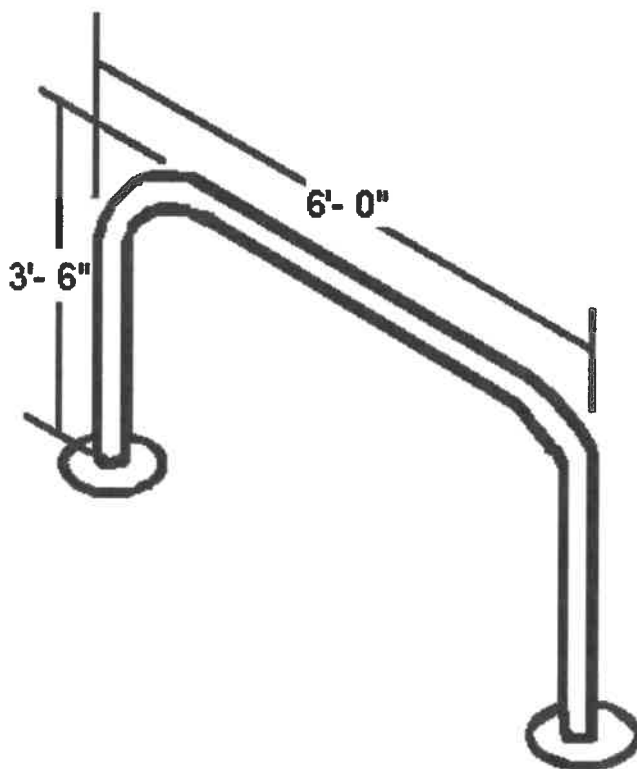
4. Assemble Net (103-141) to Net Bar Assembly with S-Hooks (585-901) per Details C and D found on page 1. Make sure ends of S-Hooks are closed.
5. Stand upright & brace in footing holes. Attach braces to legs to hold proper height of top bar at 8'. Length of pipe below intended level of resilient surfacing should be approximately 24"
6. Plumb & level. Tighten all set screws using short length of pipe with socket key to add leverage. Pour concrete. Let stand 48 hours before removing braces, installing resilient surfacing and using equipment.
7. Attach Warning label and Manufacturer's Identification label to a clean surface out of the way of hand/foot traffic. They should be attached in a location where they are clearly visible and legible and away from normal hand and foot placement areas. The labels must be replaced if they become illegible, destroyed or removed. Contact your distributor for replacement labels.

511-113 Vault Bar

Page 1 of 1
Rev 8/5/08

IMPORTANT

PLEASE READ THESE INSTRUCTIONS BEFORE COMMENCING ASSEMBLY. All equipment must be installed in accordance with these instructions. Check your shipment against Bill of Lading and Parts list. Any missing or broken parts must be reported to your distributor within 10 days of receipt of your order. When properly installed and maintained, equipment will give many years of Safe, Trouble-Free use. Periodically check for loose or broken parts. Loose bolts must be tightened and broken parts must be replaced as they can possibly create dangerous situations leading to unnecessary accidents. Resilient Surfacing should be used under all playground equipment. Appropriate publications, available at no charge, from the Consumer Product Safety Commission, include "A Handbook for Public Playground Safety". You can receive your free copy by calling 1-301-504-7908.



PACKING LIST
1 PIPE - 1 513-617 Bar

HARDWARE BAG
1 - 805-532 Warning Label
1 - 805-534 Sportsplay Label
1 - Maintenance Checklist

1 PIPE

1 TOTAL PC

WT 80#

CLASS 70

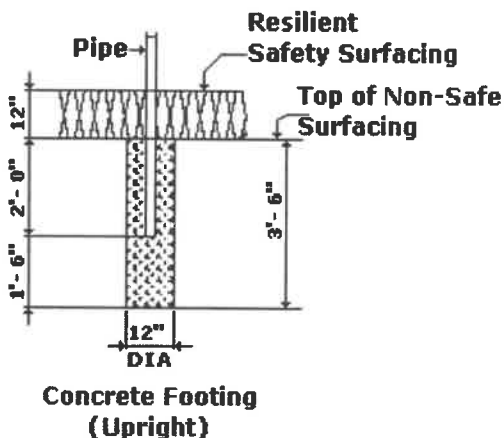
511-113 Vault Bar

GENERAL USE/FALL ZONE & FOOTING RECOMMENDATIONS

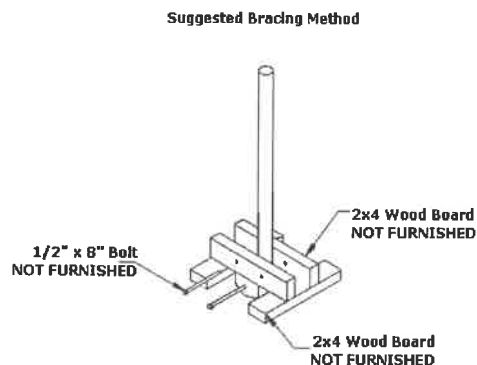
Use/Fall Zones should extend a minimum of 6 Feet in All Directions from the Perimeter of the Equipment Ground Space. This area should be covered with the required amount of Resilient Safety Surfacing Material. For Some Equipment Use/Fall Zone can Overlap. See Consumer Product Safety Commission Guidelines.

Diameter and Depth of Footing Illustrated are Satisfactory in Most Applications for pipe sizes Up to 2-3/8" Diameter. Varying Soil and Climatic conditions may require Deeper and Heavier Footings in Some Areas. Check Local Building Codes.

Typical Upright Footing Installation

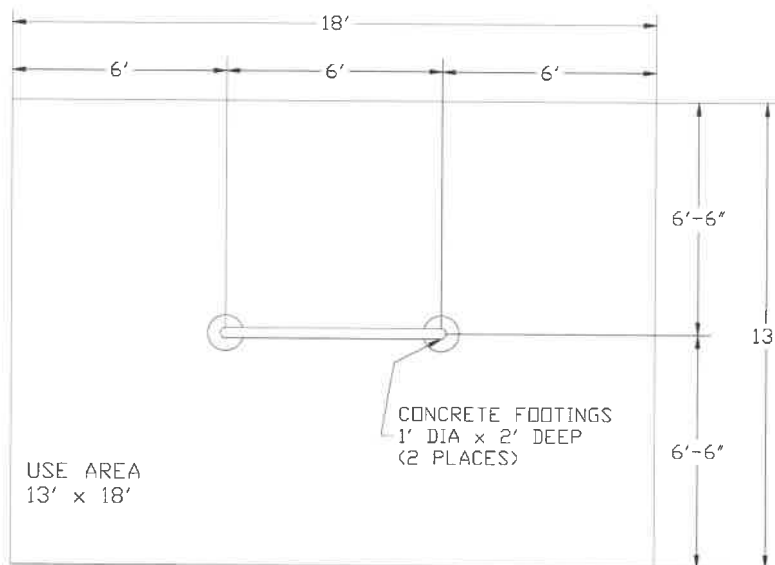


Suggested Bracing Method



* If resilient surfacing is to be less than 12", then additional pipe should be put in concrete to maintain proper finish grade for equipment.

USE AREA & FOOTING LAYOUT



511-113 Vault Bar

Page 3 of 3
Rev 8/5/08

GENERAL ASSEMBLY INSTRUCTIONS:

Only hand-tighten nuts & bolts on initial assembly. Final tightening should be done EVENLY after final assembly when unit has been plumbed & leveled. After assembly is complete, ANY ENDS OF BOLTS PROTRUDING BEYOND NUTS SHOULD BE CUT OFF AND/OR PEENED OVER TO REMOVE ANY SHARP EDGES. Go over entire unit to file smooth any sharp edges or projections that may have been caused by rough handling in shipping or installation.

GENERAL MAINTENANCE INSTRUCTIONS:

Check MONTHLY for loose bolts, damaged or broken parts. Tighten and/or replace immediately.

SPECIFIC ASSEMBLY INSTRUCTIONS:

- NOTE:** All threaded ends of bolts protruding beyond nuts must be cut off and/or peened to eliminate sharp edges. No more than two threads should extend beyond face of nut.
All washers, "T" nuts, and other fastener hardware used on round pipe or tubing must be hammered down to conform to the curved underlying surface to eliminate catch points.
- STEP #1: Mark & dig footing holes per Footing Diagram on PAGE #2.
- STEP #2: Stand up & brace in footing holes. Length of pipe below intended level of resilient surfacing should be 24". Two long braces holding 2 legs each are recommended.
- STEP #3: Plumb & level entire unit. Pour Concrete. Tighten all nuts & bolts so that lock washers are flat. Wait 48 hours before removing braces, installing Resilient Surfacing & using equipment.
- STEP #4: Attach Warning Label and Manufacturer's Identification Label to a clean surface. The Labels should be attached in a location where they are clearly visible and legible and away from normal hand and foot placement areas. The Labels must be replaced if they become illegible, destroyed or removed. Contact your distributor for replacement Labels.

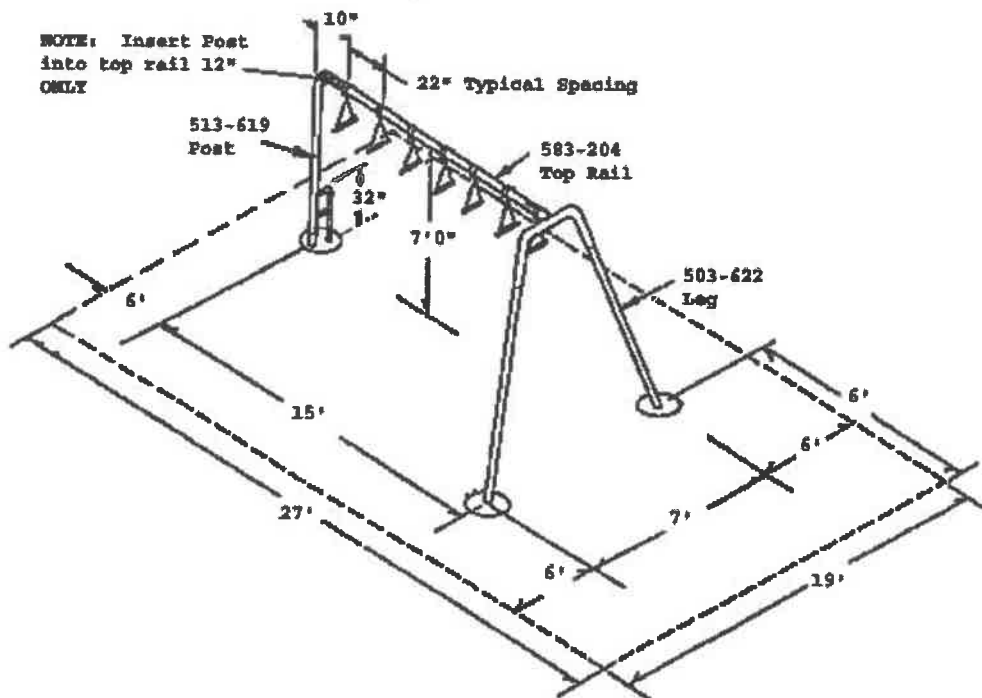
511-119 Swing Bars

Page 1 of 1
Rev 04/07/03

IMPORTANT *

PLEASE RETAIN THIS INSTRUCTION SHEET IN YOUR FILES. IT CONTAINS IMPORTANT REPLACEMENT PARTS INFORMATION. ALL EQUIPMENT SHOULD BE INSTALLED IN ACCORDANCE WITH THESE INSTRUCTIONS.

IT IS IMPORTANT TO USE AND MAINTAIN ALL PUBLIC PLAYGROUND EQUIPMENT PROPERLY. PLAYGROUND EQUIPMENT, WHICH IS IMPROPERLY MAINTAINED, CAN CAUSE SERIOUS INJURY. PERIODICAL INSPECTIONS, MAINTENANCE, REPAIR AND/OR REPLACEMENT OF DAMAGED PARTS IS NECESSARY FOR SAFE OPERATION OF EQUIPMENT AND SAFETY OF USERS. RESILIENT SURFACING SHOULD BE USED UNDER ALL PLAYGROUND EQUIPMENT. APPROPRIATE PUBLICATIONS, AVAILABLE AT NO CHARGE, FROM THE CONSUMER PRODUCT SAFETY COMMISSION, INCLUDE "A HANDBOOK FOR PUBLIC PLAYGROUND SAFETY." YOU CAN RECEIVE YOUR FREE COPY BY CALLING 1-301-504-7908.



PACKING LIST

1 CTN	1	Hardware Bag
	7	514-501 Bottom Clamp Half
	7	545-512 Top Clamp Half
	7	513-206 Swing Bars
1 PIPE	1	583-204 Top Rail
1 WF	1	583-522 End Fitting
1 WF	1	513-619 Post 2 7/8" OD x 11' Lg
2 PIPE	2	503-622 Leg 2 3/8" OD x 9' Long

HARDWARE BAG

6	196-803	1/2" x 3/4" Socket Set Screw
1	416-400	3/4" Socket Set Key
14	126-505	5/16" x 1 1/4" Carriage Bolt
14	226-501	5/16" Lock Nuts
14	316-501	5/16" Flat Washers
1	805-532	Warning Label
1	805-534	SportsPlay Label
1		Maintenance Checklist

1 CTN

2 WF

3 PIPE

6 TOTAL PCS

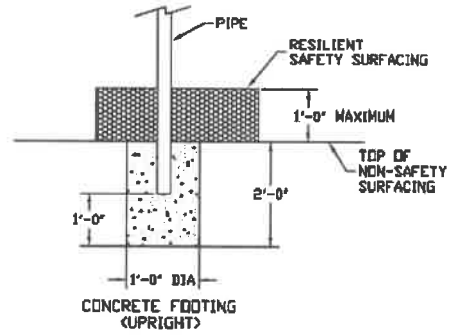
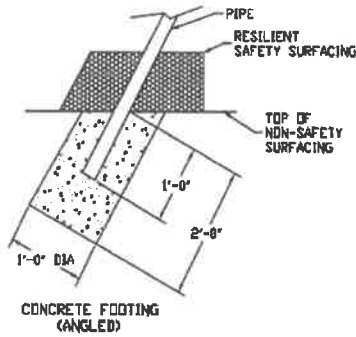
WT 220#

CLASS 70

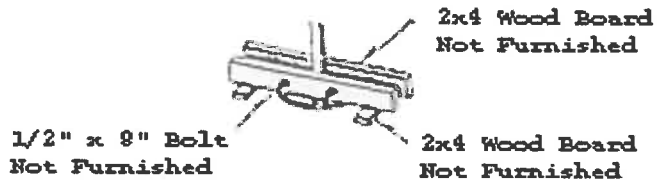
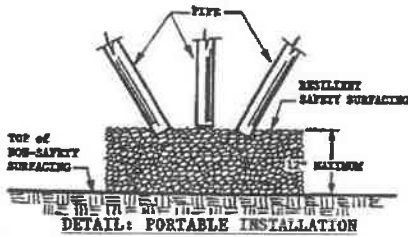
511-119 Swing Bars

GENERAL USE/FALL ZONE & FOOTING RECOMMENDATIONS

STATIONARY & PORTABLE EQUIPMENT - USE/FALL ZONES SHOULD EXTEND A MINIMUM OF 6 FEET IN ALL DIRECTIONS FROM THE PERIMETER OF THE EQUIPMENT GROUND SPACE. THIS AREA SHOULD BE COVERED WITH THE REQUIRED AMOUNT OF RESILIENT SAFETY SURFACING MATERIAL. FOR SOME EQUIPMENT - USE/FALL ZONES CAN OVERLAP. SEE CONSUMER PRODUCT SAFETY COMMISSION GUIDELINES. DIAMETER & DEPTH OF FOOTING ILLUSTRATED ARE SATISFACTORY IN MOST APPLICATIONS FOR PIPE SIZES UP TO 2 3/8" DIAMETER. VARYING SOIL & CLIMATIC CONDITIONS MAY REQUIRE DEEPER & HEAVIER FOOTINGS IN SOME AREAS. CHECK LOCAL BUILDING CODES.

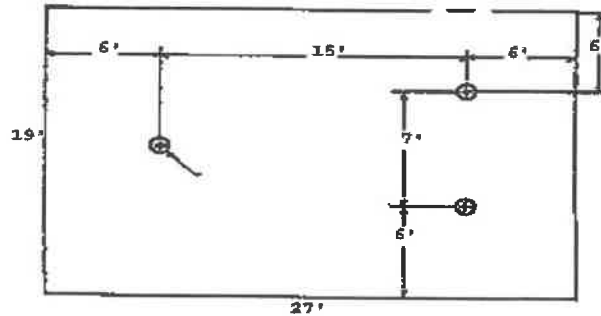


* If resilient surfacing is to be less than 12", then additional pipe should be put in concrete to maintain proper finish grade for equipment.



Suggested Bracing Method

USE AREA & FOOTING LAYOUT:



511-119 Swing Bars

Page 3 of 3
Rev 04/07/03

GENERAL ASSEMBLY INSTRUCTIONS:

Check all the parts and hardware with the packing list to be sure you have received everything needed to assemble this product. CONTACT YOUR LOCAL DISTRIBUTOR NOTIFICATION OF ANY MISSING OR DAMAGED PARTS. Contact must be made within ten days of receipt of your order.

Only hand-tighten nuts & bolts on initial assembly. Final tightening should be done **EVENLY** after final assembly when unit has been plumbed & leveled.

After assembly is complete, **ANY ENDS OF BOLTS PROTRUDING BEYOND NUTS SHOULD BE CUT OFF AND/OR PEENED OVER TO REMOVE ANY SHARP EDGES.** Go over entire unit to file smooth any sharp edges or projections that may have been caused by rough handling in shipping or installation. T-Clamps are designed for both one and two bolt connections. In many situations only one bolt is required. See specific assembly instructions.

On products with platforms install 1 - 2 degrees off level to facilitate water drainage.

GENERAL MAINTENANCE INSTRUCTIONS:

Check **MONTHLY** for loose bolts, damaged or broken parts. Tighten and/or replace immediately.

SPECIFIC ASSEMBLY INSTRUCTIONS:

NOTE: All threaded ends of bolts protruding beyond nuts must be cut off and/or peened to eliminate sharp edges. No more than two threads should extend beyond face of nut.

All washers, "T" nuts, and other fastener hardware used on round pipe or tubing must be hammered down to conform to the curved underlying surface to eliminate catch points.

STEP #1: Mark & dig footing holes per SKETCH on PAGE #2.

STEP #2: Attach Legs (503-622) to End Fitting (583-522).

STEP #3: Attach Top Rail (583-204) to End fitting.

STEP #4: Mark top of Post (513-619) 12" from top end and slide into Top Rail.

STEP #5: Raise top rail by pivoting end post. Slide unit into footing holes & brace to desired level so that 24" of pipe will be under intended level of resilient surfacing.

STEP #6: Working with one unit at a time, pull the cotter pin from a swing hanger & pull pin to remove bearing hooks. Slip top of S-hook on swing bar thru bearing hooks and close the S-hook to within .04" gap using an S-hook pliers or pounding with a hammer. Repeat for all seven-swing hangers.

STEP #7: Assemble top portion of swing bar hangers on top rail positioning as shown on Page #1. Start with first hanger 10" from centerline of Post (513-619).

STEP #8: Attach swing bars with closed S-hooks on bearings to hangers by reversing procedure in STEP #6.

STEP #9: Plumb & level entire unit. Tighten all nuts until lock washers are flat. Use short length of pipe on end of socket key to add leverage on tightening socket set screws. Pour concrete. Wait 48 hours before removing braces, applying resilient surfacing or using equipment.

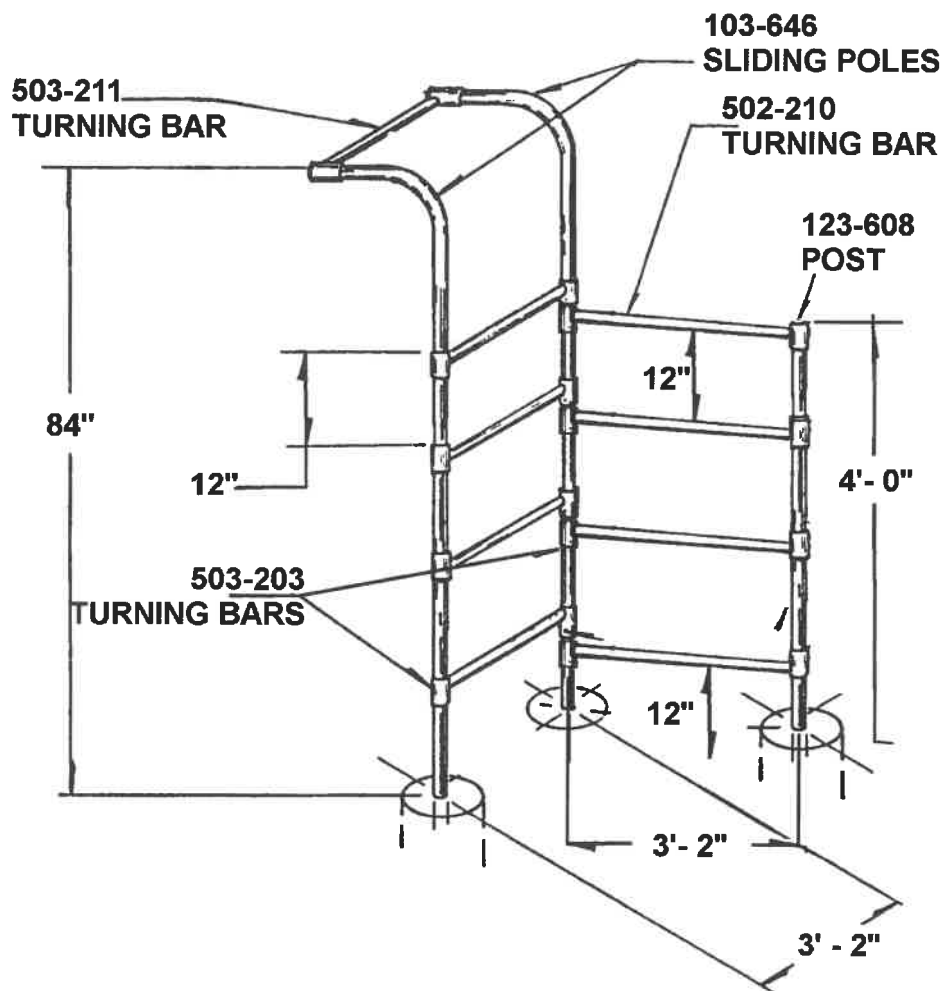
NOTE: DO NOT OVERTIGHTEN NUTS ON SWING HANGERS - SWING HANGERS MUST MOVE FREELY.

STEP #10: Attach warning label and manufacturer's identification label to a clean surface. The labels should be attached in a location where they are clearly visible and eligible and away from normal hand and foot placement areas. The labels must be replaced if they become illegible, destroyed, or removed. Contact your distributor for replacement labels.

511-102 Stall Bar Fence

IMPORTANT

PLEASE READ THESE INSTRUCTIONS BEFORE COMMENCING ASSEMBLY. All equipment must be installed in accordance with these instructions. Check your shipment against Bill of Lading and Parts list. Any missing or broken parts must be reported to your distributor within 10 days of receipt of your order. When properly installed and maintained, equipment will give many years of Safe, Trouble-Free use. Periodically check for loose or broken parts. Loose bolts must be tightened and broken parts must be replaced as they can possibly create dangerous situations leading to unnecessary accidents. Resilient Surfacing should be used under all playground equipment. Appropriate publications, available at no charge, from the Consumer Product Safety Commission, include "A Handbook for Public Playground Safety". You can receive your free copy by calling 1-301-504-7908.



PACKING LIST

1 CTN	- 1 Hardware Bag
1 PIPE	- 1 123-608 Post 1 7/8" OD x 6' Long
2 PIPE	- 2 103-669 Pole
1 BDL	1 503-210 Turning Bar
	1 503-211 Turning Bar
	1 503-203 Turning Bar
1 BDL	6 503-203 Turning Bar

HARDWARE BAG

18	- 196-802 1/2" x 1/2" Socket Set Screw
1	- 416-400 1/4" Socket Key
1	- 805-532 Warning Label
1	- 805-534 SportsPlay Label
1	- Maintenance Checklist

1 CTN	2 BDL	3 PIPE	6 TOTAL PCS	WT 100#	CLASS 70
-------	-------	--------	-------------	---------	----------

511-102 Stall Bar Fence

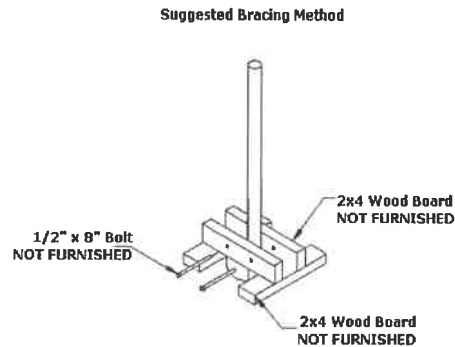
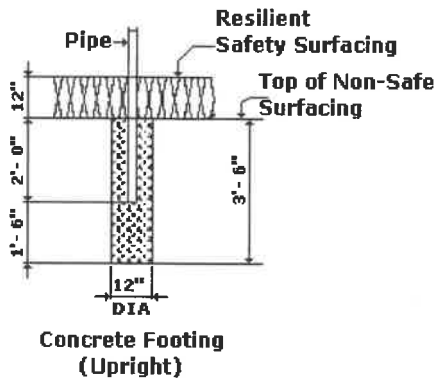
GENERAL USE/FALL ZONE & FOOTING RECOMMENDATIONS

Use/Fall Zones should extend a minimum of 6 Feet in All Directions from the Perimeter of the Equipment Ground Space. This area should be covered with the required amount of Resilient Safety Surfacing Material. For Some Equipment Use/Fall Zone can overlap. See Consumer Product Safety Commission Guidelines.

Diameter and Depth of Footing Illustrated are Satisfactory in Most Applications for pipe sizes Up to 2-3/8" Diameter. Varying Soil and Climatic conditions may require Deeper and Heavier Footings in Some Areas. Check Local Building Codes.

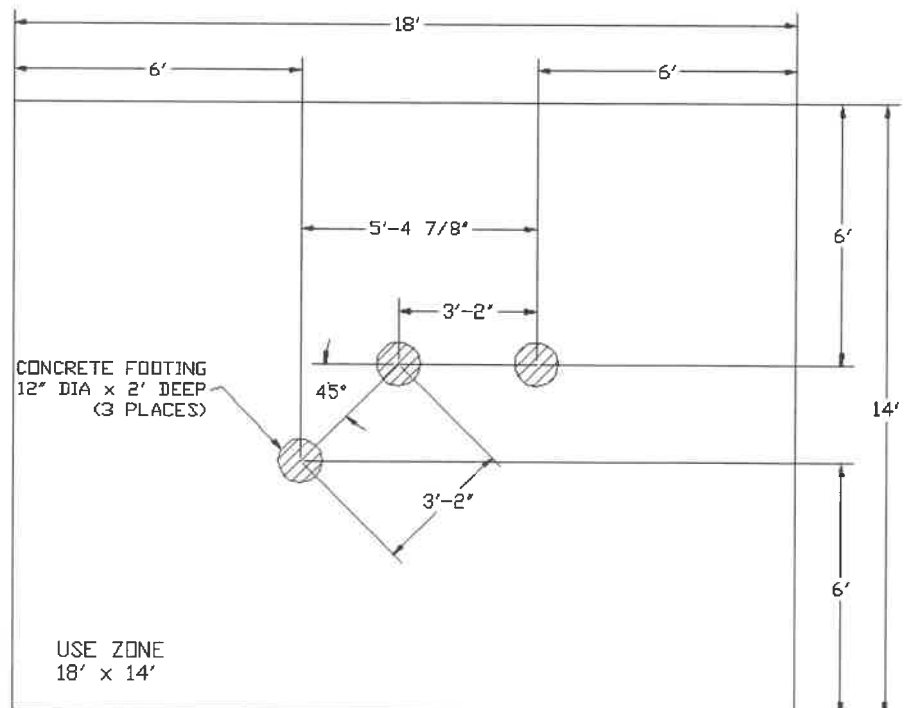
DETAIL: Permanent Installation

Suggested Bracing Method



* If resilient surfacing is to be less than 12", then additional pipe should be put in concrete to maintain proper finish grade for equipment.

FOOTING LAYOUT AND USE AREA



511-102 Stall Bar Fence

Page 3
Rev 08/21/2008

GENERAL ASSEMBLY INSTRUCTIONS

Check all the parts and hardware with the packing list to be sure you have received everything needed to assemble this product. CONTACT YOUR LOCAL DISTRIBUTOR NOTIFICATION OF ANY MISSING OR DAMAGED PARTS. Contact must be made within ten days of receipt of your order.

Only hand-tighten nuts & bolts on initial assembly. Final tightening should be done **EVENLY** after final assembly when unit has been plumbed & leveled. After assembly is complete, **ANY ENDS OF BOLTS PROTRUDING BEYOND NUTS SHOULD BE CUT OFF AND/OR PEENED OVER TO REMOVE ANY SHARP PROJECTIONS.** Go over entire unit to file smooth any sharp edges or projections that may have been caused by rough handling in shipping or installation.

GENERAL MAINTENANCE INSTRUCTIONS

Check **MONTHLY** for loose bolts, damaged or broken parts. Tighten and/or replace immediately.

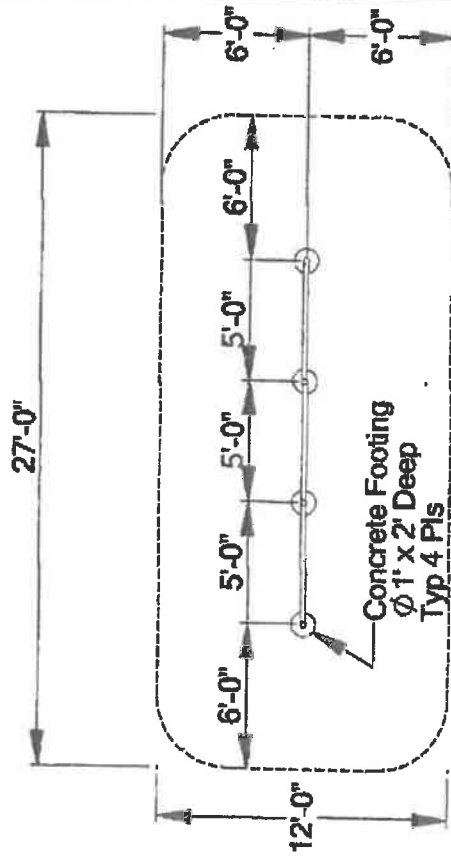
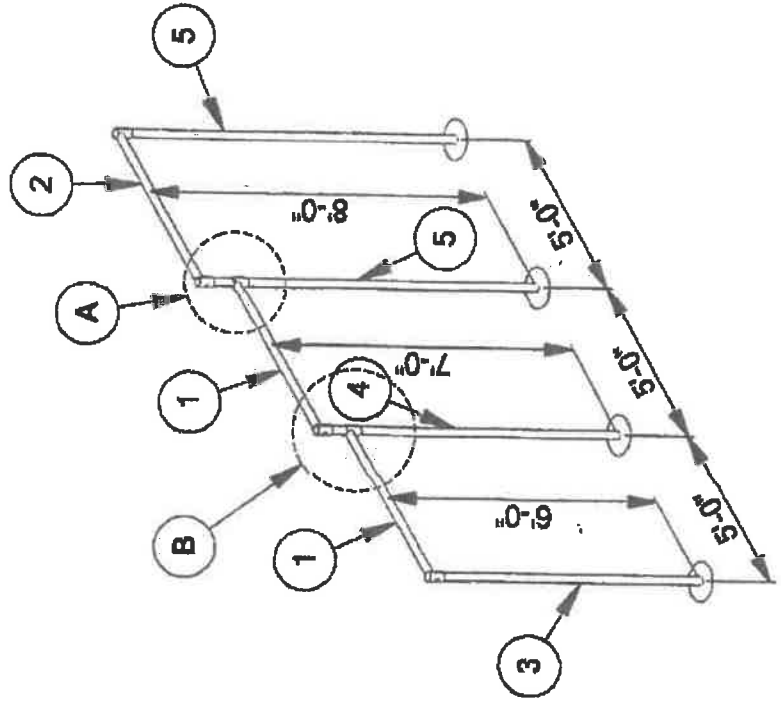
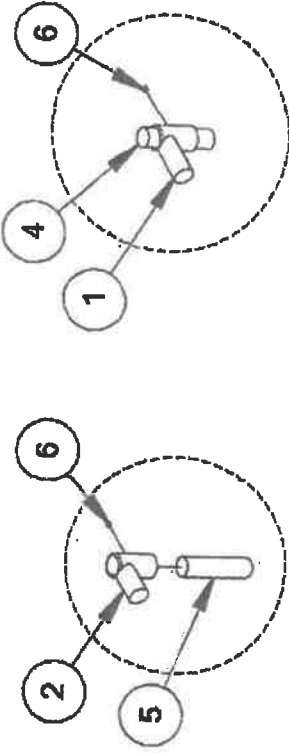
SPECIFIC ASSEMBLY INSTRUCTIONS

- NOTE:** All threaded ends of bolts protruding beyond nuts must be cut off and/or peened to eliminate sharp edges. No more than two threads should extend beyond face of nut. All washers, "T" nuts, and other fastener hardware used on round pipe or tubing must be hammered down to conform to the curved underlying surface to eliminate catch points.
- STEP #1:** Mark & dig footing holes per Diagram on PAGE #2.
- STEP #2:** Align & position all Turning Bars per the dimensions & location on Page 1. Position & brace in footing holes. Attach braces to legs to hold proper height. Length of pipe legs below intended level of resilient surfacing should be 24". Two long braces holding 2 legs each are recommended.
- STEP #3:** Plumb & level. Tighten all nuts & bolts so that lock washers are flat. Pour concrete. Let stand 48 hours before removing braces, installing resilient surfacing and using equipment.
- STEP #4:** Attach Warning Label and Manufacturer's Identification Label to a clean surface. The labels should be attached in a location where they are clearly visible and legible and away from normal hand and foot placement areas. The labels must be replaced if they become illegible, destroyed or removed. Contact your distributor for replacement labels.

TRIPLE HORIZONTAL BAR

501-876

ITEM NO.	PART NUMBER	DESCRIPTION	QTY.
1	503-208	Turning Bar	2
2	503-205	Turning Bar	1
3	503-614	Post 2-3/8" x 8' Long	1
4	503-622	Post 2-3/8" x 9' Long	1
5	503-605	Post 2-3/8" x 10' Long	1
6	196-802	1/2" x 1/2" Socket Set Screw	6
7	416-400	1/4" Socket Key	1

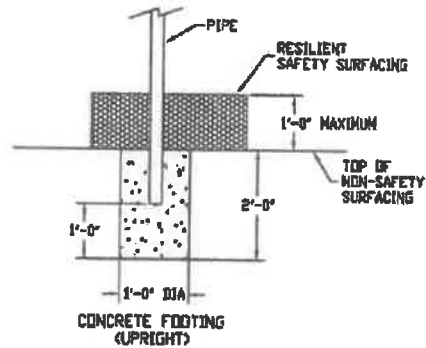
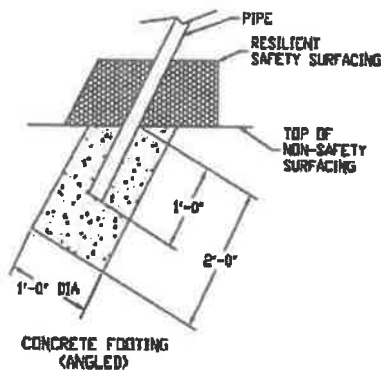


Footing Diagram

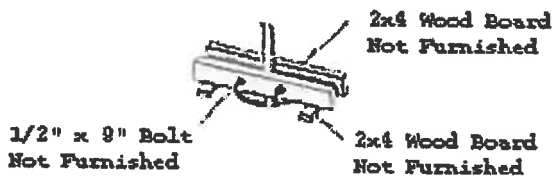
501-876 TRIPLE HORIZONTAL BAR

GENERAL USE/FALL ZONE & FOOTING RECOMMENDATIONS

STATIONARY & PORTABLE EQUIPMENT - USE/FALL ZONES SHOULD EXTEND A MINIMUM OF 6 FEET IN ALL DIRECTIONS FROM THE PERIMETER OF THE EQUIPMENT GROUND SPACE. THIS AREA SHOULD BE COVERED WITH THE REQUIRED AMOUNT OF RESILIENT SAFETY SURFACING MATERIAL. FOR SOME EQUIPMENT - USE/FALL ZONES CAN OVERLAP. SEE CONSUMER PRODUCT SAFETY COMMISSION GUIDELINES. DIAMETER & DEPTH OF FOOTING ILLUSTRATED ARE SATISFACTORY IN MOST APPLICATIONS FOR PIPE SIZES UP TO 2 3/8" DIAMETER. VARYING SOIL & CLIMATIC CONDITIONS MAY REQUIRE DEEPER & HEAVIER FOOTINGS IN SOME AREAS. CHECK LOCAL BUILDING CODES.



* If resilient surfacing is to be less than 12", then additional pipe should be put in concrete to maintain proper finish grade for equipment.



Suggested Bracing Method

501-876 TRIPLE HORIZONTAL BAR

Page 3 of 4

GENERAL ASSEMBLY INSTRUCTIONS:

Check all the parts and hardware with the packing list to be sure you have received everything needed to assemble this product. CONTACT YOUR LOCAL DISTRIBUTOR WITH NOTIFICATION OF ANY MISSING OR DAMAGED PARTS. Contact must be made within ten days of receipt of your order.

Only hand-tighten nuts & bolts on initial assembly. Final tightening should be done EVENLY after final assembly when unit has been plumbed & leveled.

After assembly is complete, ANY ENDS OF BOLTS PROTRUDING BEYOND NUTS SHOULD BE CUT OFF AND/OR PEENED OVER TO REMOVE ANY SHARP EDGES. Go over entire unit to file smooth any sharp edges or projections that may have been caused by rough handling in shipping or installation. T-Clamps are designed for both one and two bolt connections. In many situations only one bolt is required. See specific assembly instructions.

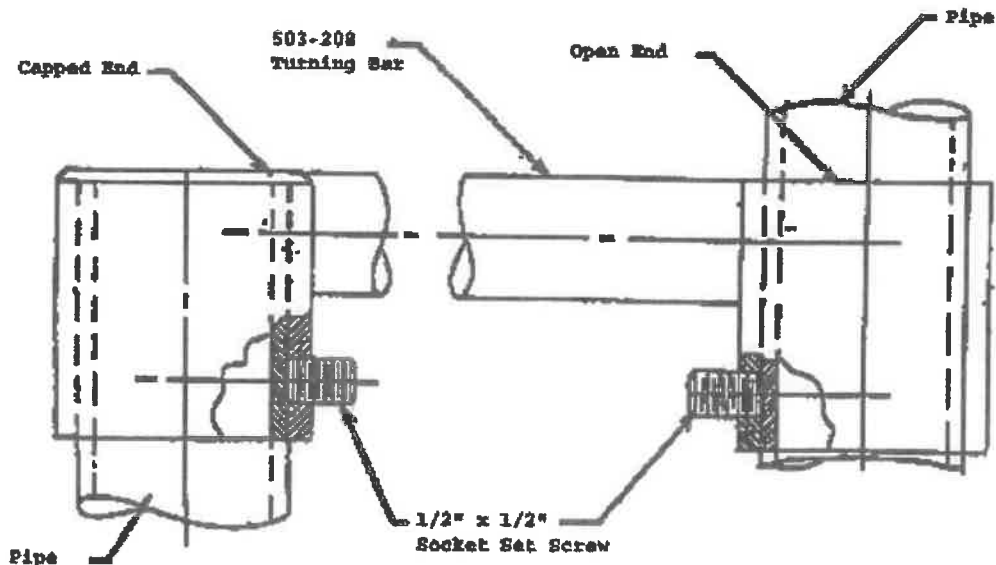
On products with platforms install 1 - 2 degrees off level to facilitate water drainage.

GENERAL MAINTENANCE INSTRUCTIONS:

Check MONTHLY for loose bolts, damaged or broken parts. Tighten and/or replace immediately.

SPECIFIC ASSEMBLY INSTRUCTIONS:

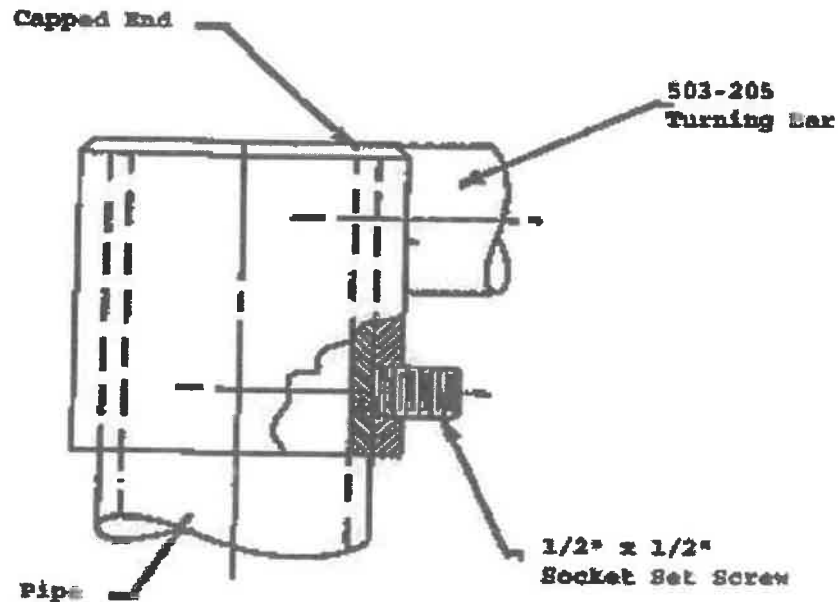
- STEP #1: Mark & dig footing holes per SKETCH on PAGE #2.
- STEP #2: Determine height of individual bars for intended age of users. Adjust posts height accordingly. Posts as supplied are 8', 9' & 10' long. Two feet of pipe goes under playing surface. If lower bar heights than 6', 7' & 8' are desired, cut pipe accordingly—or dig deeper footing holes.
- STEP #3: Place Pipe Posts in footing holes. Brace to desired height above intended resilient surfacing level.
- STEP #4: Attach two lower Turning Bars (503-208) first.



501-876 TRIPLE HORIZONTAL BAR

Page 4 of 4

STEP #5: Attach highest Turning Bar (503-205).



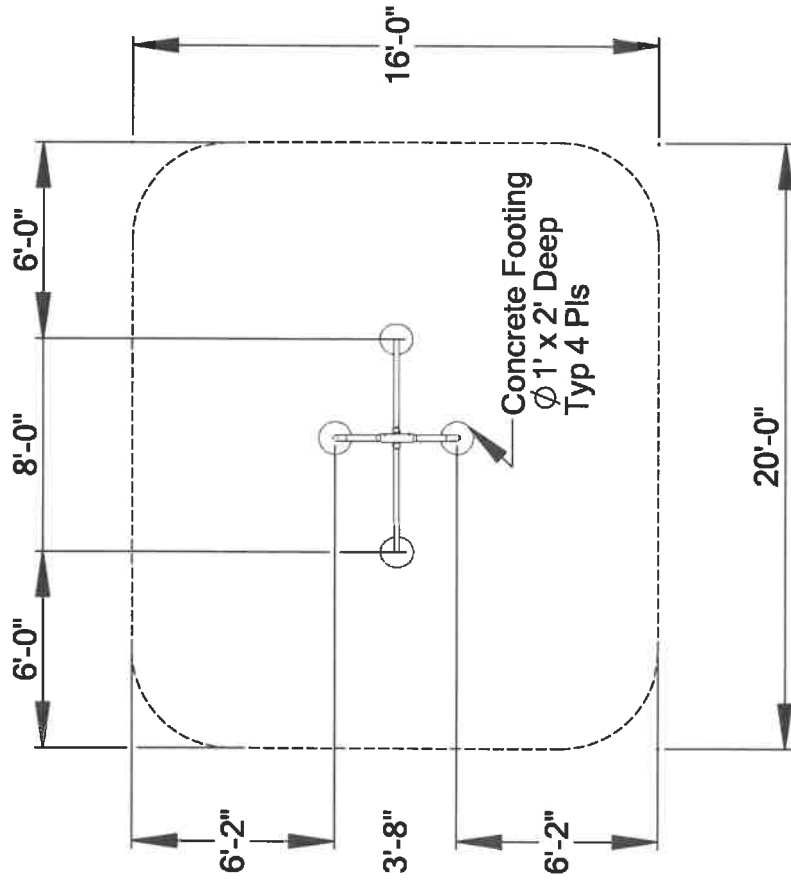
STEP #6: Plumb & level. Tighten all set screws HARD. Pour Concrete. Wait 48 hours before removing braces, installing Resilient Surfacing & using equipment.

STEP #7: Attach Warning Label and Manufacturer's Identification Label to a clean surface. The Labels should be attached in a location where they are clearly visible and legible and away from normal hand and foot placement areas. The Labels must be replaced if they become illegible, destroyed or removed. Contact your distributor for replacement Labels.

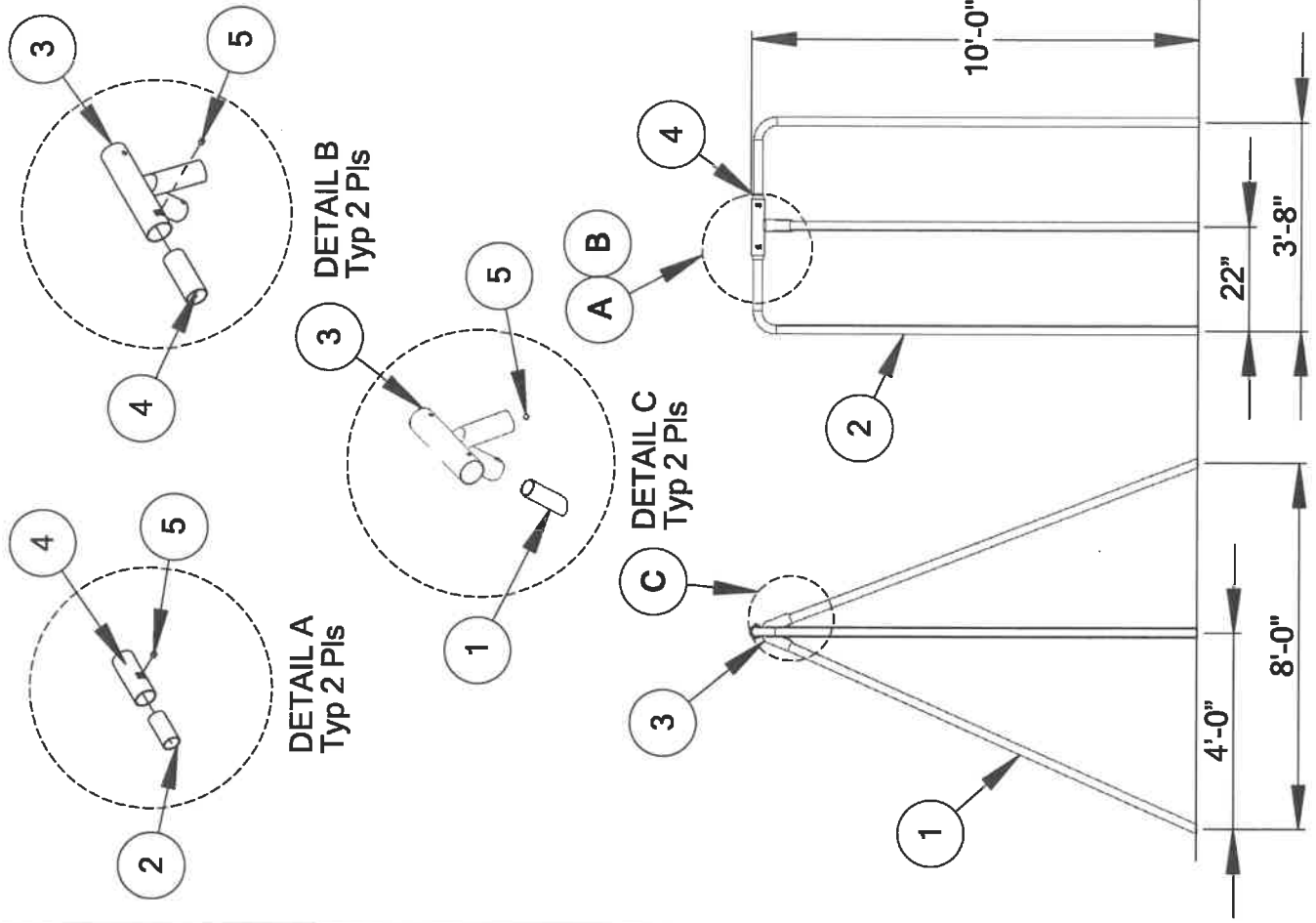
POLE CLIMB

5111-105

ITEM NO.	PART NUMBER	DESCRIPTION	QTY.
1	583-602	Swing Leg	2
2	103-644	Sliding Pole	2
3	583-518	Center Fitting	1
4	513-511	Adapter	2
5	196-802	1/2" x 1/2" Socket Set Screw	6
6	416-400	1/4" Socket Key	1



Footings Diagram



5 4 3 2 1

511-105 Pole Climb

GENERAL ASSEMBLY INSTRUCTIONS:

Check all the parts and hardware with the packing list to be sure you have received everything needed to assemble this product. CONTACT YOUR LOCAL DISTRIBUTOR WITH NOTIFICATION OF ANY MISSING OR DAMAGED PARTS. Contact must be made within ten days of receipt of your order.

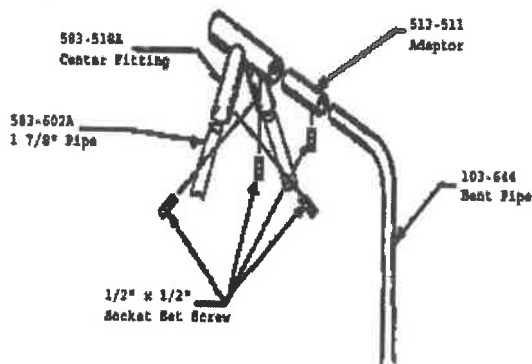
Only hand-tighten nuts & bolts on initial assembly. Final tightening should be done EVENLY after final assembly when unit has been plumbed & leveled. After assembly is complete, ANY ENDS OF BOLTS PROTRUDING BEYOND NUTS SHOULD BE CUT OFF AND/OR PEENED OVER TO REMOVE ANY SHARP EDGES. Go over entire unit to file smooth any sharp edges or projections that may have been caused by rough handling in shipping or installation. T-Clamps are designed for both one and two bolt connections. In many situations only one bolt is required. See specific assembly instructions. On products with platforms install 1 - 2 degrees off level to facilitate water drainage.

GENERAL MAINTENANCE INSTRUCTIONS:

Check MONTHLY for loose bolts, damaged or broken parts. Tighten and/or replace immediately.

SPECIFIC ASSEMBLY INSTRUCTIONS:

- NOTE: All threaded ends of bolts protruding beyond nuts must be cut off and/or peened to eliminate sharp edges. No more than two threads should extend beyond face of nut.
All washers, "T" nuts, and other fastener hardware used on round pipe or tubing must be hammered down to conform to the curved underlying surface to eliminate catch points.
- STEP #1: Mark & dig footing holes per SKETCH on PAGE #2.
STEP #2: Bolt together poles and brace in footing holes.

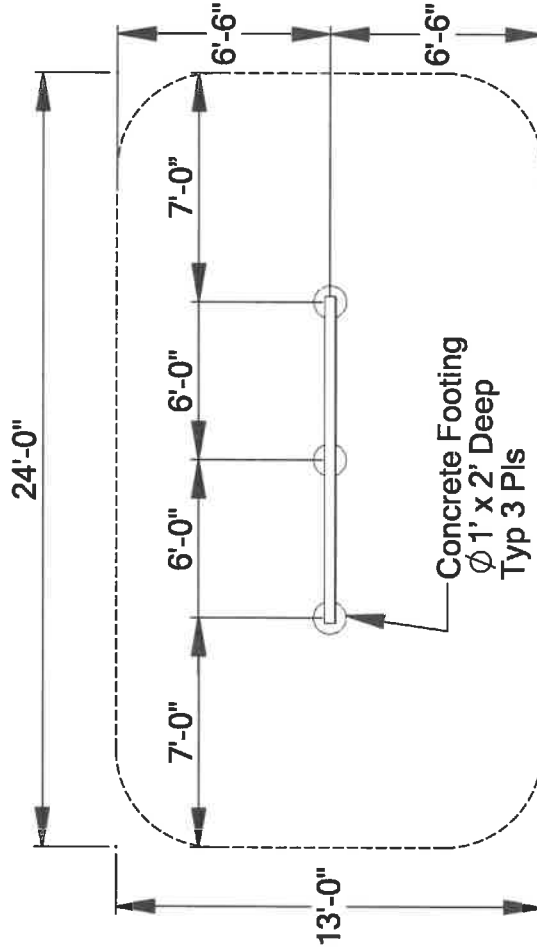


- STEP #3: Plumb & level. Tighten all set screws using a short length of pipe on socket key to add leverage. Pour concrete and crown surface for drainage. Let stand 48 hours before removing braces, installing resilient surfacing and using equipment.
- STEP #4: Attach Warning Label and Manufacturer's Identification Label to a clean surface. The labels should be attached in a location where they are clearly visible and legible and away from normal hand and foot placement areas. The labels must be replaced if they become illegible, destroyed or removed. Contact your distributor for replacement labels.

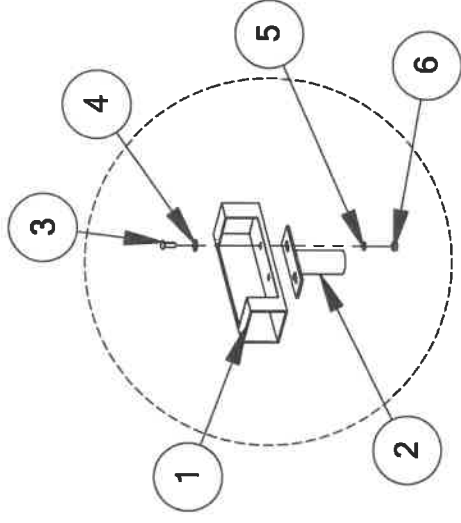
BALANCE BEAM

5111-107

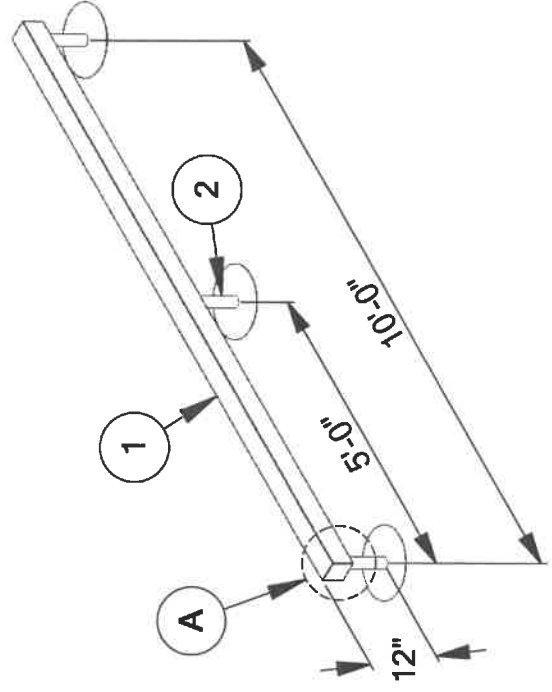
ITEM NO.	PART NUMBER	DESCRIPTION	QTY.
1	513-932	Beam 12' x 3" x 3-1/2" W	1
2	603-629	Leg	3
3	126-504	5/16" x 1" Carriage Bolt	6
4	316-501	5/16" Flat Washer	6
5	226-501	5/16" Lock Washer	6
6	216-501	5/16" Hex Nut	6



Footing Diagram



DETAIL A
 Typ 6 PIs



511-107 Balance Beam

Page 3 of 3
Rev 04/04/03

GENERAL ASSEMBLY INSTRUCTIONS:

Check all the parts and hardware with the packing list to be sure you have received everything needed to assemble this product. CONTACT YOUR LOCAL DISTRIBUTOR WITH NOTIFICATION OF ANY MISSING OR DAMAGED PARTS. Contact must be made within ten days of receipt of your order.

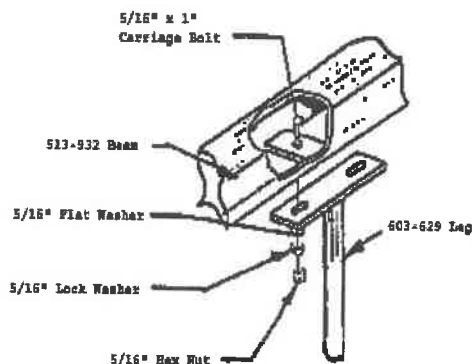
Only hand-tighten nuts & bolts on initial assembly. Final tightening should be done EVENLY after final assembly when unit has been plumbed & leveled. After assembly is complete, ANY ENDS OF BOLTS PROTRUDING BEYOND NUTS SHOULD BE CUT OFF AND/OR PEENED OVER TO REMOVE ANY SHARP EDGES. Go over entire unit to file smooth any sharp edges or projections that may have been caused by rough handling in shipping or installation. T-Clamps are designed for both one and two bolt connections. In many situations only one bolt is required. See specific assembly instructions. On products with platforms install 1 - 2 degrees off level to facilitate water drainage.

GENERAL MAINTENANCE INSTRUCTIONS:

Check MONTHLY for loose bolts, damaged or broken parts. Tighten and/or replace immediately.

SPECIFIC ASSEMBLY INSTRUCTIONS:

- NOTE: All threaded ends of bolts protruding beyond nuts must be cut off and/or peened to eliminate sharp edges. No more than two threads should extend beyond face of nut.
All washers, "T" nuts, and other fastener hardware used on round pipe or tubing must be hammered down to conform to the curved underlying surface to eliminate catch points.
- STEP #1: Mark & dig footing holes per SKETCH
- STEP #2: Assemble Beam on the ground per SKETCH



- STEP #3: Stand up and brace in footing holes. Height of beam above resilient surfacing can be lowered from the 12" recommended by extending the depth of footing holes.
- STEP #4: Plumb & level. Tighten all nuts & bolts so that lock washers are flat. Pour concrete and crown surface for drainage. Let stand 48 hours before removing braces, installing resilient surfacing and using equipment.
- STEP #5: Attach Warning Label and Manufacturer's Identification Label to a clean surface. The labels should be attached in a location where they are clearly visible and legible and away from normal hand and foot placement areas. The labels must be replaced if they become illegible, destroyed or removed. Contact your distributor for replacement labels.

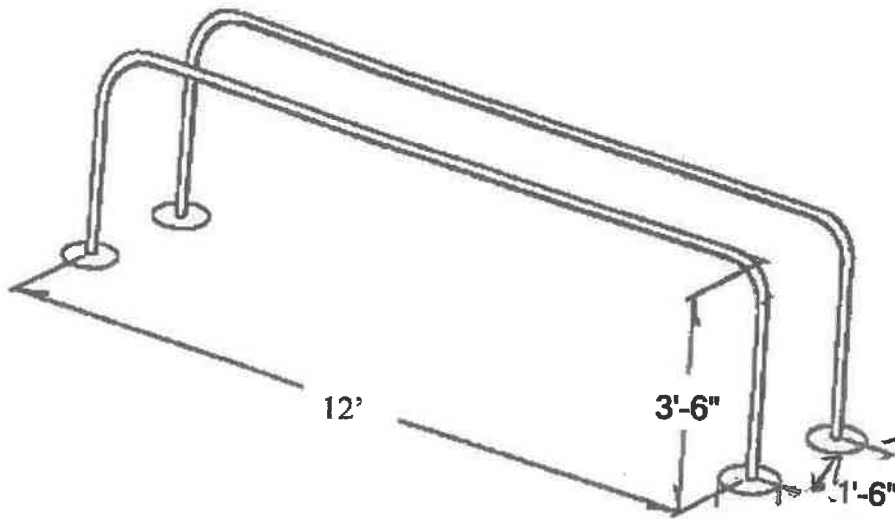
511-108 Parallel Bars

Page 1 of 3
Rev 06/10/03

* IMPORTANT *

PLEASE RETAIN THIS INSTRUCTION SHEET IN YOUR FILES. IT CONTAINS IMPORTANT REPLACEMENT PARTS INFORMATION. ALL EQUIPMENT SHOULD BE INSTALLED IN ACCORDANCE WITH THESE INSTRUCTIONS.

IT IS IMPORTANT TO USE AND MAINTAIN ALL PUBLIC PLAYGROUND EQUIPMENT PROPERLY. PLAYGROUND EQUIPMENT, WHICH IS IMPROPERLY MAINTAINED, CAN CAUSE SERIOUS INJURY. PERIODICAL INSPECTIONS, MAINTENANCE, REPAIR AND/OR REPLACEMENT OF DAMAGED PARTS IS NECESSARY FOR SAFE OPERATION OF EQUIPMENT AND SAFETY OF USERS. RESILIENT SURFACING SHOULD BE USED UNDER ALL PLAYGROUND EQUIPMENT. APPROPRIATE PUBLICATIONS, AVAILABLE AT NO CHARGE, FROM THE CONSUMER PRODUCT SAFETY COMMISSION, INCLUDE "A HANDBOOK FOR PUBLIC PLAYGROUND SAFETY." YOU CAN RECEIVE YOUR FREE COPY BY CALLING 1-301-504-7908.



PACKING LIST

2 PIPE 503-611 Turning Bar

1 805-532

1 805-534

1

HARDWARE BAG

Warning Label

SportsPlay Label

Maintenance Checklist

2 PIPE

2 TOTAL PCS

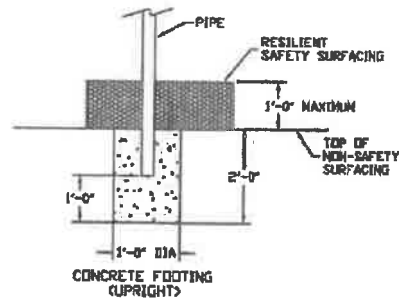
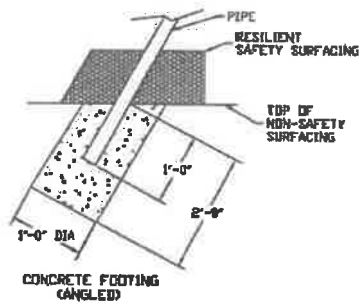
WT 76#

CLASS 70

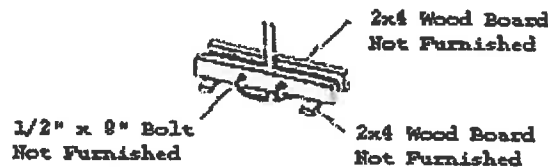
511-108 Parallel Bars

GENERAL USE/FALL ZONE & FOOTING RECOMMENDATIONS

STATIONARY & PORTABLE EQUIPMENT - USE/FALL ZONES SHOULD EXTEND A MINIMUM OF 6 FEET IN ALL DIRECTIONS FROM THE PERIMETER OF THE EQUIPMENT GROUND SPACE. THIS AREA SHOULD BE COVERED WITH THE REQUIRED AMOUNT OF RESILIENT SAFETY SURFACING MATERIAL. FOR SOME EQUIPMENT - USE/FALL ZONES CAN OVERLAP. SEE CONSUMER PRODUCT SAFETY COMMISSION GUIDELINES. DIAMETER & DEPTH OF FOOTING ILLUSTRATED ARE SATISFACTORY IN MOST APPLICATIONS FOR PIPE SIZES UP TO 2 3/8" DIAMETER. VARYING SOIL & CLIMATIC CONDITIONS MAY REQUIRE DEEPER & HEAVIER FOOTINGS IN SOME AREAS. CHECK LOCAL BUILDING CODES.

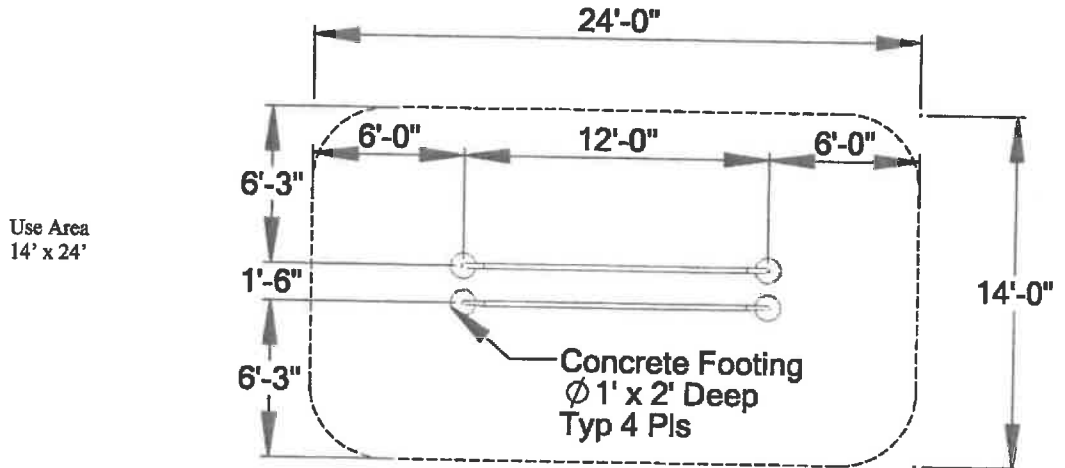


* If resilient surfacing is to be less than 12", then additional pipe should be put in concrete to maintain proper finish grade for equipment.



Suggested Bracing Method

Use Area and Footing:



511-108 Parallel Bars

Page 3 of 3
Rev 06/10/03

GENERAL ASSEMBLY INSTRUCTIONS:

Check all the parts and hardware with the packing list to be sure you have received everything needed to assemble this product. CONTACT YOUR LOCAL DISTRIBUTOR WITH NOTIFICATION OF ANY MISSING OR DAMAGED PARTS. Contact must be made within ten days of receipt of your order.

Only hand-tighten nuts & bolts on initial assembly. Final tightening should be done **EVENLY** after final assembly when unit has been plumbed & leveled.

After assembly is complete, **ANY ENDS OF BOLTS PROTRUDING BEYOND NUTS SHOULD BE CUT OFF AND/OR PEENED OVER TO REMOVE ANY SHARP EDGES.** Go over entire unit to file smooth any sharp edges or projections that may have been caused by rough handling in shipping or installation. T-Clamps are designed for both one and two bolt connections. In many situations only one bolt is required. See specific assembly instructions.

On products with platforms install 1 - 2 degrees off level to facilitate water drainage.

GENERAL MAINTENANCE INSTRUCTIONS:

Check **MONTHLY** for loose bolts, damaged or broken parts. Tighten and/or replace immediately.

SPECIFIC ASSEMBLY INSTRUCTIONS:

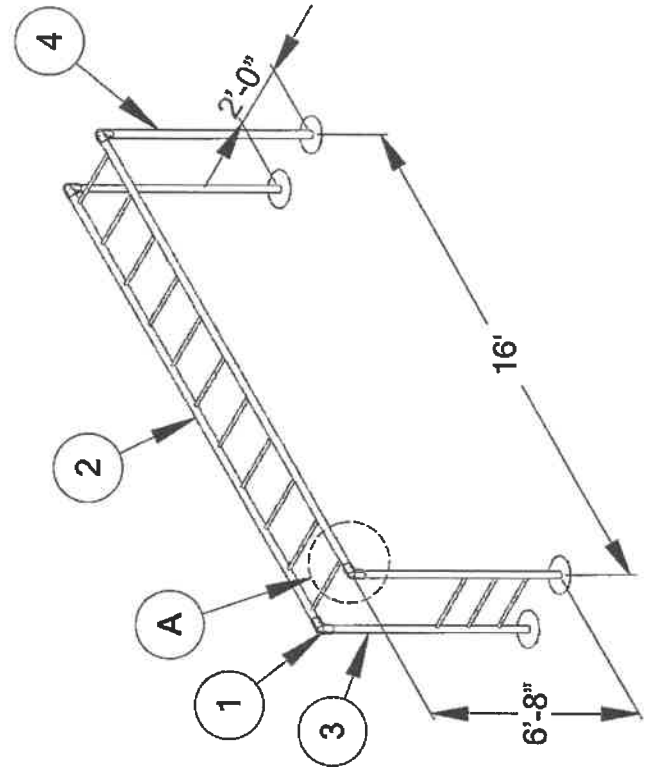
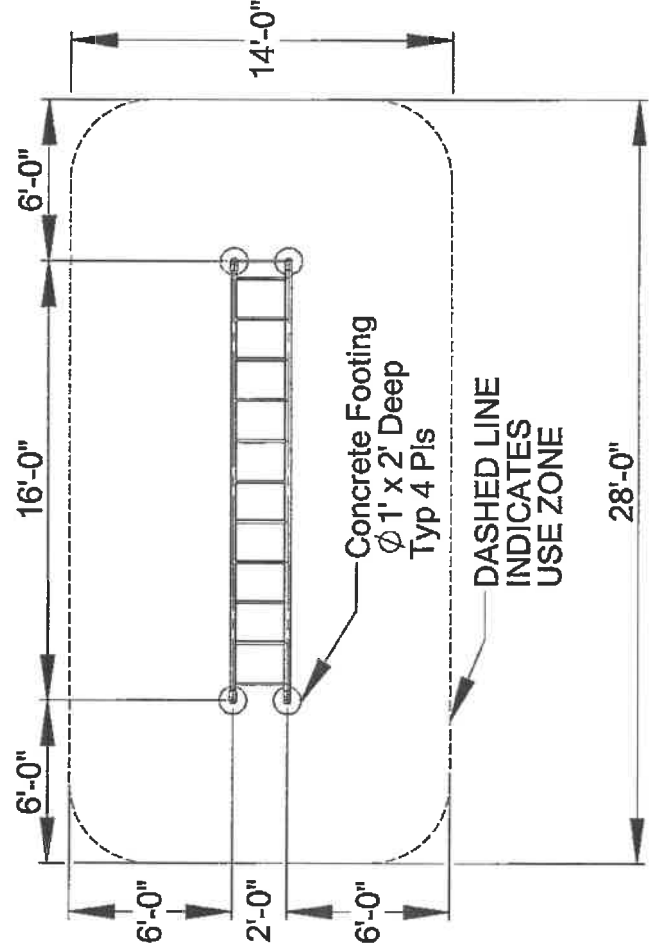
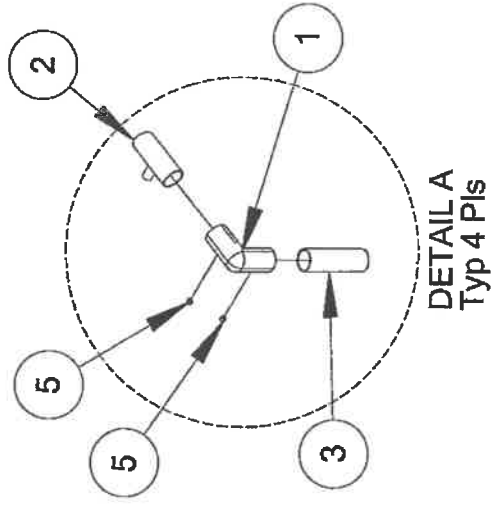
- STEP #1: Mark & dig footing holes per SKETCH
- STEP #2: Stand up & brace in footing holes. Length of pipe legs below intended level of resilient surfacing should be approximately 18" set so that top of parallel bar is 3'6" high. Two long braces holding 2 legs each are recommended.
- STEP #3: Plumb & level. Pour concrete and crown surface for drainage. Let stand 48 hours before removing braces, installing resilient surfacing and using equipment.
- STEP #4: Attach Warning Label and Manufacturer's Identification Label to a clean surface. The labels should be attached in a location where they are clearly visible and legible and away from normal hand and foot placement areas. The labels must be replaced if they become illegible, destroyed or removed. Contact your distributor for replacement labels.



HORIZONTAL LADDER

501-416

ITEM NO.	PART NUMBER	DESCRIPTION	QTY.
1	503-501	Elbow	4
2	503-315	Ladder	1
3	503-316	Ladder	1
4	503-615	Post	2
5	196-803	1/2" x 3/4" Socket Set Screw	8
6	416-400	1/4" Socket Key	1



5 4 3 2 1

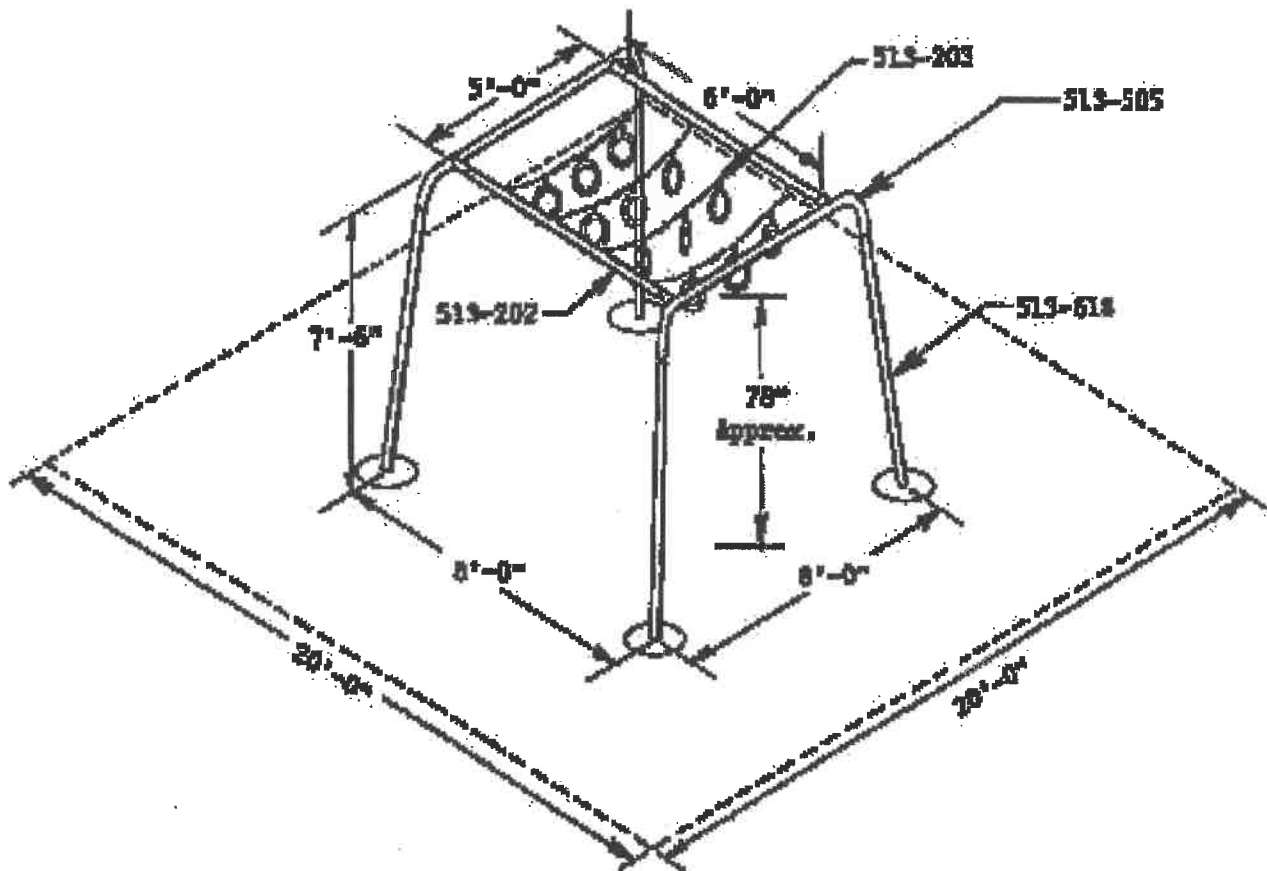
511-115 Chain Ring Ladder

Page 1 of 3
Rev 04/07/03

*** IMPORTANT ***

PLEASE RETAIN THIS INSTRUCTION SHEET IN YOUR FILES. IT CONTAINS IMPORTANT REPLACEMENT PARTS INFORMATION. ALL EQUIPMENT SHOULD BE INSTALLED IN ACCORDANCE WITH THESE INSTRUCTIONS.

IT IS IMPORTANT TO USE AND MAINTAIN ALL PUBLIC PLAYGROUND EQUIPMENT PROPERLY. PLAYGROUND EQUIPMENT, WHICH IS IMPROPERLY MAINTAINED, CAN CAUSE SERIOUS INJURY. PERIODICAL INSPECTIONS, MAINTENANCE, REPAIR AND/OR REPLACEMENT OF DAMAGED PARTS IS NECESSARY FOR SAFE OPERATION OF EQUIPMENT AND SAFETY OF USERS. RESILIENT SURFACING SHOULD BE USED UNDER ALL PLAYGROUND EQUIPMENT. APPROPRIATE PUBLICATIONS, AVAILABLE AT NO CHARGE, FROM THE CONSUMER PRODUCT SAFETY COMMISSION, INCLUDE "A HANDBOOK FOR PUBLIC PLAYGROUND SAFETY." YOU CAN RECEIVE YOUR FREE COPY BY CALLING 1-301-504-7908.



PACKING LIST

1 CTN	1	Hardware Bag
	4	513-203 Ring & Chain Assembly
1 BDL	2	513-202 Net Bars
1 WF	1	513-505 End Fitting
1 WF	1	513-505 End Fitting
2 BDL	2	513-618 Legs

HARDWARE BAG

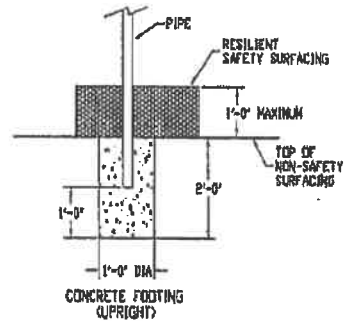
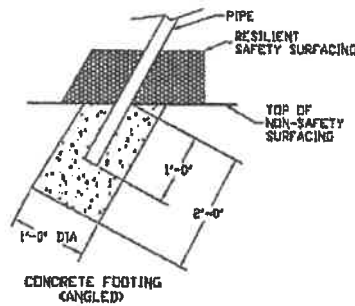
8	196-802	1/2" x 1/2" Socket Set Screw
1	416-400	Socket Key
1	805-532	Warning Label
1	805-534	SportsPlay Label
1		Maintenance Checklist

1 CTN 3 BDL 2 WF 6 TOTAL PCS WT 225# CLASS 70

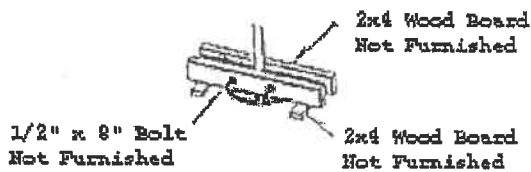
511-115 Chain Ring Ladder

GENERAL USE/FALL ZONE & FOOTING RECOMMENDATIONS

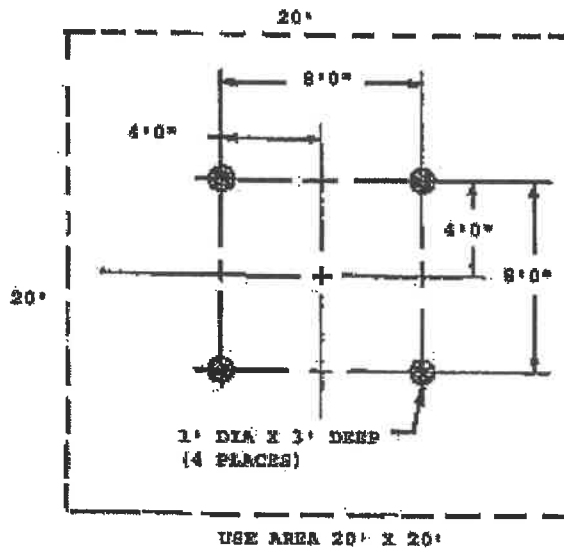
STATIONARY & PORTABLE EQUIPMENT - USE/FALL ZONES SHOULD EXTEND A MINIMUM OF 6 FEET IN ALL DIRECTIONS FROM THE PERIMETER OF THE EQUIPMENT GROUND SPACE. THIS AREA SHOULD BE COVERED WITH THE REQUIRED AMOUNT OF RESILIENT SAFETY SURFACING MATERIAL. FOR SOME EQUIPMENT - USE/FALL ZONES CAN OVERLAP. SEE CONSUMER PRODUCT SAFETY COMMISSION GUIDELINES. DIAMETER & DEPTH OF FOOTING ILLUSTRATED ARE SATISFACTORY IN MOST APPLICATIONS FOR PIPE SIZES UP TO 2 3/8" DIAMETER. VARYING SOIL & CLIMATIC CONDITIONS MAY REQUIRE DEEPER & HEAVIER FOOTINGS IN SOME AREAS. CHECK LOCAL BUILDING CODES.



* If resilient surfacing is to be less than 12", then additional pipe should be put in concrete to maintain proper finish grade for equipment.



Suggested Bracing Method



511-115 Chain Ring Ladder

Page 3 of 3
Rev 04/07/03

GENERAL ASSEMBLY INSTRUCTIONS:

Check all the parts and hardware with the packing list to be sure you have received everything needed to assemble this product. CONTACT YOUR LOCAL DISTRIBUTOR NOTIFICATION OF ANY MISSING OR DAMAGED PARTS. Contact must be made within ten days of receipt of your order.

Only hand-tighten nuts & bolts on initial assembly. Final tightening should be done **EVENLY** after final assembly when unit has been plumbed & leveled. After assembly is complete, **ANY ENDS OF BOLTS PROTRUDING BEYOND NUTS SHOULD BE CUT OFF AND/OR PEENED OVER TO REMOVE ANY SHARP EDGES.** Go over entire unit to file smooth any sharp edges or projections that may have been caused by rough handling in shipping or installation. T-Clamps are designed for both one and two bolt connections. In many situations only one bolt is required. See specific assembly instructions. On products with platforms install 1 - 2 degrees off level to facilitate water drainage.

GENERAL MAINTENANCE INSTRUCTIONS:

Check **MONTHLY** for loose bolts, damaged or broken parts. Tighten and/or replace immediately.

SPECIFIC ASSEMBLY INSTRUCTIONS:

- NOTE:** All threaded ends of bolts protruding beyond nuts must be cut off and/or peened to eliminate sharp edges. No more than two threads should extend beyond face of nut.
All washers, "T" nuts, and other fastener hardware used on round pipe or tubing must be hammered down to conform to the curved underlying surface to eliminate catch points.
- STEP #1:** Mark & dig footing holes per SKETCH on PAGE #2.
STEP #2: Assemble frame on ground using eight 1/2" x 1/2" Socket Set Screws
STEP #3: Stand Frame upright onto legs and brace in Footing Holes so that 24" of pipe will be under intended level of resilient surfacing.

NOTE: When installed as shown, the distance from the bottom of the rings to the surface will be approximately 78". You may wish to adjust this distance depending on the age group using the equipment. Do this by lowering or raising the legs in the footing holes. Maximum height from surface to bottom rings per CPSC is 84".

- STEP #4:** Attach Ring & Chain Assemblies. Close S-Hooks to within .034" (1/32") using S-Hook pliers.
STEP #5: Plumb and level unit. Pour concrete. Wait 48 hours before removing braces, applying resilient surfacing and or equipment.
STEP #6: Attach Warning Label and Manufacturer's Identification Label to a clean surface. The labels should be attached in a location where they are clearly visible and legible and away from normal hand and foot placement areas. The labels must be replaced if they become illegible, destroyed or removed. Contact your distributor for replacement labels.

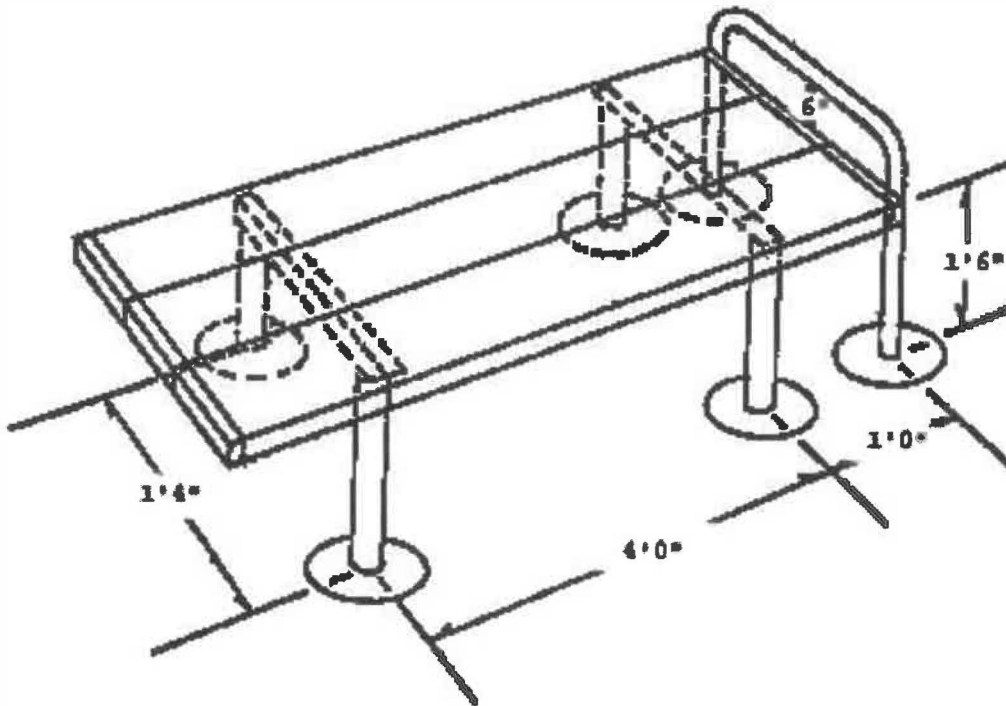
511-114 SIT-UP STATION

Page 1 of 1
Rev 4/7/03

* IMPORTANT *

PLEASE RETAIN THIS INSTRUCTION SHEET IN YOUR FILES. IT CONTAINS IMPORTANT REPLACEMENT PARTS INFORMATION. ALL EQUIPMENT SHOULD BE INSTALLED IN ACCORDANCE WITH THESE INSTRUCTIONS.

IT IS IMPORTANT TO USE AND MAINTAIN ALL PUBLIC PLAYGROUND EQUIPMENT PROPERLY. PLAYGROUND EQUIPMENT WHICH IS IMPROPERLY MAINTAINED CAN CAUSE SERIOUS INJURY. PERIODICAL INSPECTIONS, MAINTENANCE, REPAIR AND/OR REPLACEMENT OF DAMAGED PARTS IS NECESSARY FOR SAFE OPERATION OF EQUIPMENT AND SAFETY OF USERS. RESILIENT SURFACING SHOULD BE USED UNDER ALL PLAYGROUND EQUIPMENT. APPROPRIATE PUBLICATIONS, AVAILABLE AT NO CHARGE, FROM THE CONSUMER PRODUCT SAFETY COMMISSION, INCLUDE "A HANDBOOK FOR PUBLIC PLAYGROUND SAFETY." YOU CAN RECEIVE YOUR FREE COPY BY CALLING 1-301-504-7908.



PACKING LIST

1 CTN	- 1	Hardware	Bag
1 BDL	- 3	603-906	6' Alum Board
1 BDL	- 2	603-505	Angles
1 BDL	- 4	503-216	Legs
1 PIPE	- 1	513-615	Toe Bar

HARDWARE BAG

12	-	605-506	Clips
4	-	116-512	5/16" x 3" Hex Hd Bolt
12	-	126-504	5/16" x 1" Carriage Bolt
16	-	316-501	5/16" Flat Washer
16	-	216-501	5/16" Hex Nut
1	-	805-532	Warning Label
1	-	805-534	SportsPlay Label
1	-		Maintenance Checklist

1 CTN

3 BDL

1 PIPE

5 TOTAL PCS

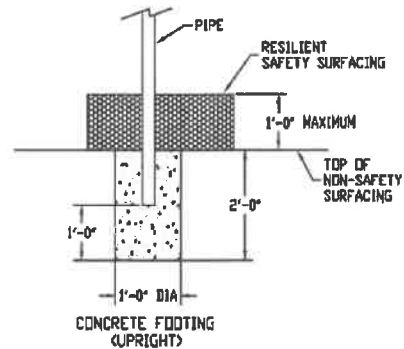
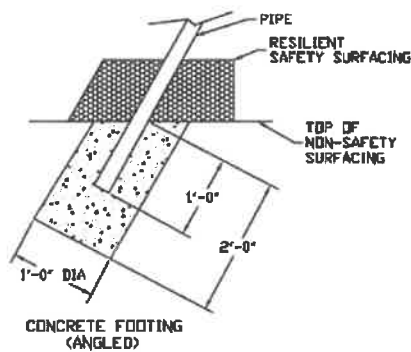
WT 80#

CLASS 70

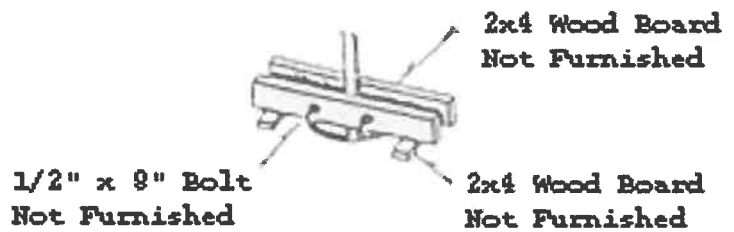
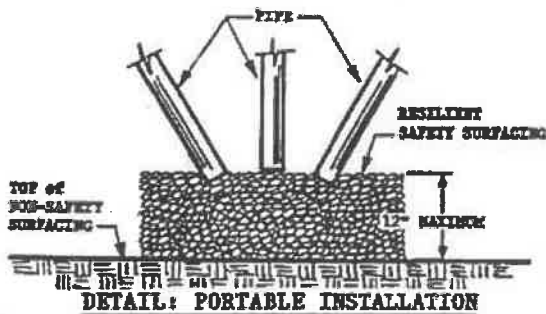
511-114 SIT-UP STATION

GENERAL USE/FALL ZONE & FOOTING RECOMMENDATIONS

STATIONARY & PORTABLE EQUIPMENT - USE/FALL ZONES SHOULD EXTEND A MINIMUM OF 6 FEET IN ALL DIRECTIONS FROM THE PERIMETER OF THE EQUIPMENT GROUND SPACE. THIS AREA SHOULD BE COVERED WITH THE REQUIRED AMOUNT OF RESILIENT SAFETY SURFACING MATERIAL. FOR SOME EQUIPMENT - USE/FALL ZONES CAN OVERLAP. SEE CONSUMER PRODUCT SAFETY COMMISSION GUIDELINES. DIAMETER & DEPTH OF FOOTING ILLUSTRATED ARE SATISFACTORY IN MOST APPLICATIONS FOR PIPE SIZES UP TO 2 3/8" DIAMETER. VARYING SOIL & CLIMATIC CONDITIONS MAY REQUIRE DEEPER & HEAVIER FOOTINGS IN SOME AREAS. CHECK LOCAL BUILDING CODES.



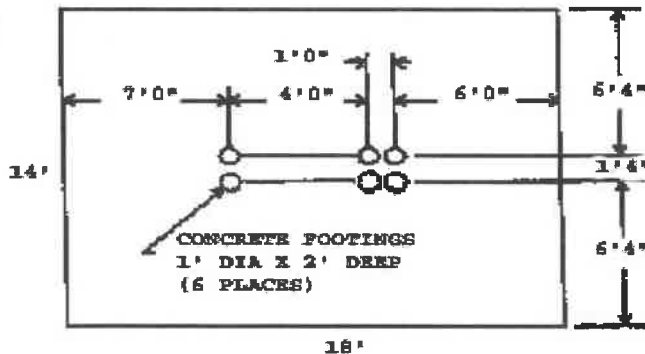
* If resilient surfacing is to be less than 12", then additional pipe should be put in concrete to maintain proper finish grade for equipment.



Suggested Bracing Method

USE AREA & FOOTING LAYOUT:

USE AREA:
14' X 18'



511-114 SIT-UP STATION

Page 3 of 3
Rev 4/7/03

GENERAL ASSEMBLY INSTRUCTIONS:

Check all the parts and hardware with the packing list to be sure you have received everything needed to assemble this product. CONTACT YOUR LOCAL DISTRIBUTOR WITH NOTIFICATION OF ANY MISSING OR DAMAGED PARTS. Contact must be made within ten days of receipt of your order.

Only hand-tighten nuts & bolts on initial assembly. Final tightening should be done **EVENLY** after final assembly when unit has been plumbed & leveled.

After assembly is complete, ANY ENDS OF BOLTS PROTRUDING BEYOND NUTS SHOULD BE CUT OFF AND/OR PEENED OVER TO REMOVE ANY SHARP EDGES. Go over entire unit to file smooth any sharp edges or projections that may have been caused by rough handling in shipping or installation. T-Clamps are designed for both one and two bolt connections. In many situations only one bolt is required. See specific assembly instructions.

On products with platforms install 1 - 2 degrees off level to facilitate water drainage.

GENERAL MAINTENANCE INSTRUCTIONS:

Check MONTHLY for loose bolts, damaged or broken parts. Tighten and/or replace immediately.

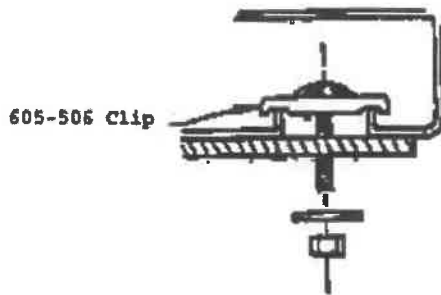
SPECIFIC ASSEMBLY INSTRUCTIONS:

STEP #1: Mark & dig footing holes per SKETCH on PAGE #2.

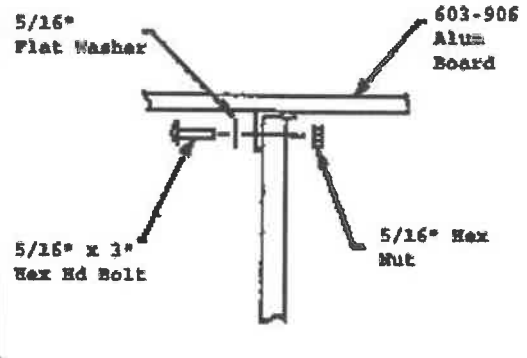
STEP #2 &

#3:

STEP #2: On the ground, assemble aluminum boards to angles.



STEP #3: Then attach Board assy to Legs



- STEP #4: Stand up & brace in footing holes. Length of pipe below intended level of resilient surfacing should be 24". Two long braces holding 2 legs each are recommended.
- STEP #5: Plumb & level entire unit. Pour Concrete. Tighten all nuts & bolts so that lock washers are flat. Wait 48 hours before removing braces, installing Resilient Surfacing & using equipment.
- STEP #6: Attach Warning Label and Manufacturer's Identification Label to a clean surface. The Labels should be attached in a location where they are clearly visible and legible and away from normal hand and foot placement areas. The Labels must be replaced if they become illegible, destroyed or removed. Contact your distributor for replacement Labels.

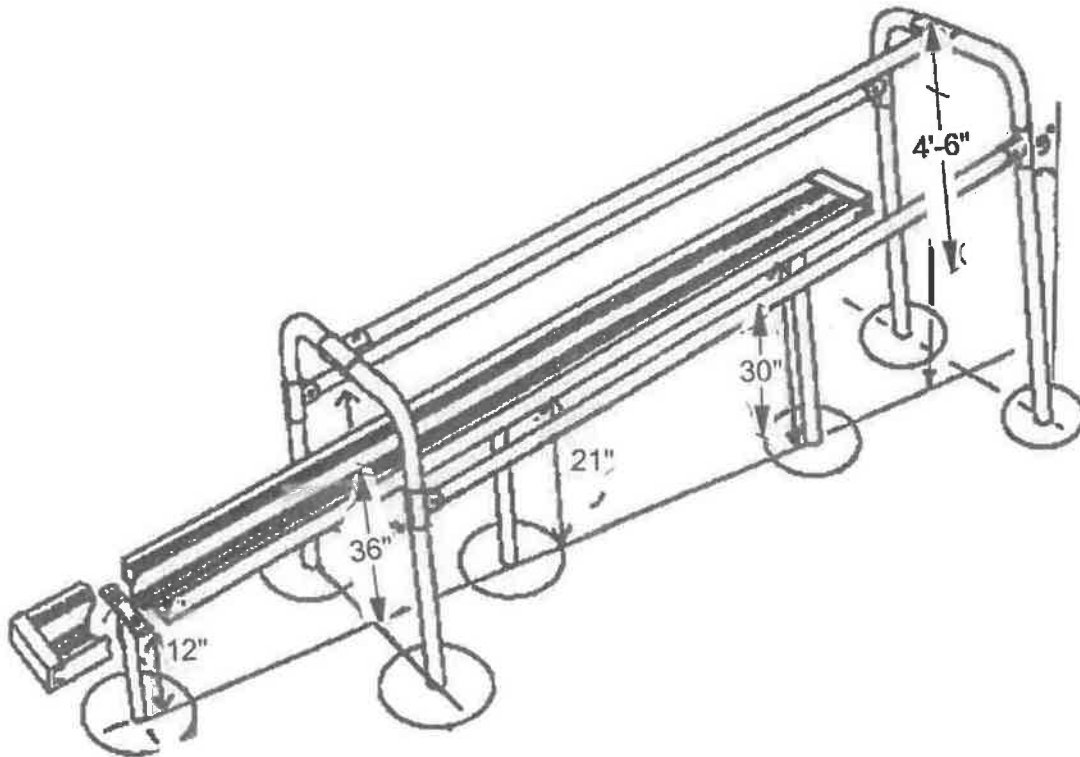
511-111 PULL SLIDE

Page 1 of 1
Rev 4/7/03

*** IMPORTANT ***

PLEASE RETAIN THIS INSTRUCTION SHEET IN YOUR FILES. IT CONTAINS IMPORTANT REPLACEMENT PARTS INFORMATION. ALL EQUIPMENT SHOULD BE INSTALLED IN ACCORDANCE WITH THESE INSTRUCTIONS.

IT IS IMPORTANT TO USE AND MAINTAIN ALL PUBLIC PLAYGROUND EQUIPMENT PROPERLY. PLAYGROUND EQUIPMENT WHICH IS IMPROPERLY MAINTAINED CAN CAUSE SERIOUS INJURY. PERIODICAL INSPECTIONS, MAINTENANCE, REPAIR AND/OR REPLACEMENT OF DAMAGED PARTS IS NECESSARY FOR SAFE OPERATION OF EQUIPMENT AND SAFETY OF USERS. RESILIENT SURFACING SHOULD BE USED UNDER ALL PLAYGROUND EQUIPMENT. APPROPRIATE PUBLICATIONS, AVAILABLE AT NO CHARGE, FROM THE CONSUMER PRODUCT SAFETY COMMISSION, INCLUDE "A HANDBOOK FOR PUBLIC PLAYGROUND SAFETY." YOU CAN RECEIVE YOUR FREE COPY BY CALLING 1-301-504-7908.



PACKING LIST

1 CTN	- 1	Hardware	Bag
1 CTN	- 1	603-910	10' Alum Board
1 BDL	- 3	503-202	Rail
1 BDL	- 1	513-606	Frame (6' 3 1/2")
	- 1	513-607	Frame (4' 9 1/2")
1 BDL	- 2	603-629	Support (3' 0")
	1	603-632	Support (3' 6")

HARDWARE BAG

6	- 605-506	Clips
6PR	- 415-515	1 5/8" T- Clamps
12	- 116-535	5/16" x 1 1/2" Button Head Bolt
6	- 126-504	5/16" x 1" Carriage Bolt
18	- 326-501	5/16" Lock Washer
6	- 216-501	5/16" Flat Washer
12	- 216-512	5/16" Button Head Nut
6	- 216-501	5/16" Hex Nut
2	- 416-350	3/16" Socket Key
1	- 805-532	Warning Label
1	- 805-534	Sportsplay Label
1	-	Maintenance Checklist

2 CTN

3 BDL

5 TOTAL PCS

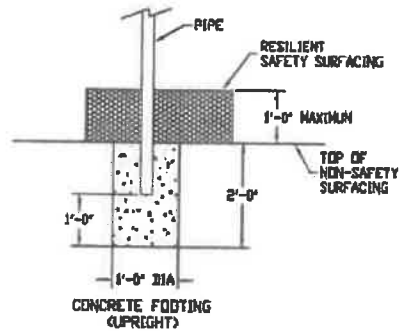
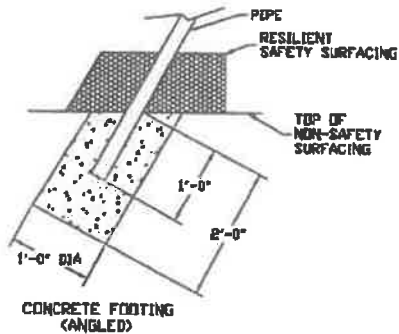
WT 120#

CLASS 70

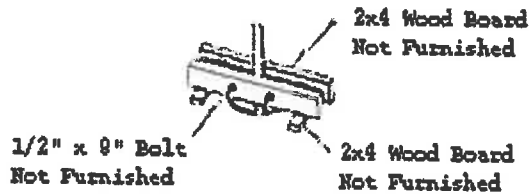
511-111 PULL SLIDE

GENERAL USE/FALL ZONE & FOOTING RECOMMENDATIONS

STATIONARY & PORTABLE EQUIPMENT - USE/FALL ZONES SHOULD EXTEND A MINIMUM OF 6 FEET IN ALL DIRECTIONS FROM THE PERIMETER OF THE EQUIPMENT GROUND SPACE. THIS AREA SHOULD BE COVERED WITH THE REQUIRED AMOUNT OF RESILIENT SAFETY SURFACING MATERIAL. FOR SOME EQUIPMENT - USE/FALL ZONES CAN OVERLAP. SEE CONSUMER PRODUCT SAFETY COMMISSION GUIDELINES. DIAMETER & DEPTH OF FOOTING ILLUSTRATED ARE SATISFACTORY IN MOST APPLICATIONS FOR PIPE SIZES UP TO 2 3/8" DIAMETER. VARYING SOIL & CLIMATIC CONDITIONS MAY REQUIRE DEEPER & HEAVIER FOOTINGS IN SOME AREAS. CHECK LOCAL BUILDING CODES.

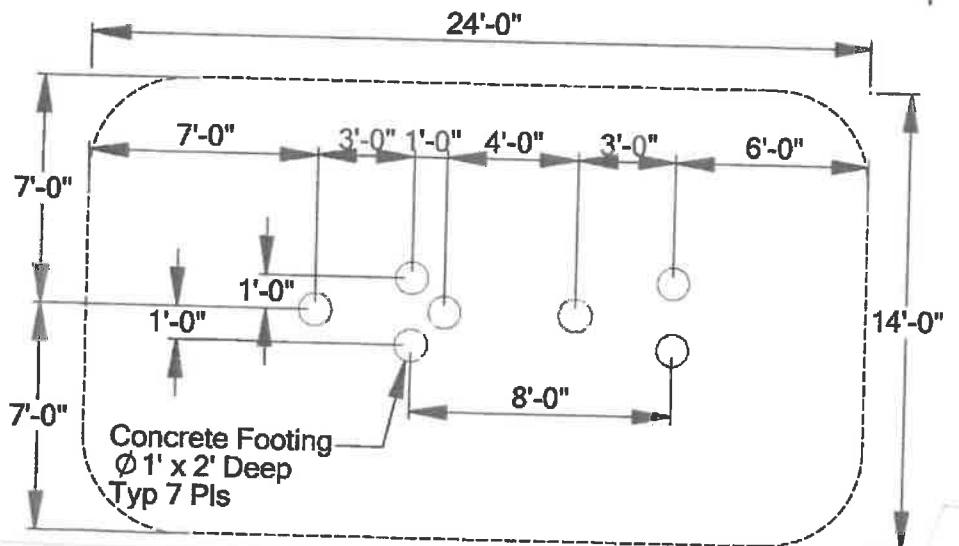


* If resilient surfacing is to be less than 12", then additional pipe should be put in concrete to maintain proper finish grade for equipment.



Suggested Bracing Method

USE AREA & FOOTING LAYOUT:



511-111 PULL SLIDE

Page 3 of 3
Rev 4/7/03

GENERAL ASSEMBLY INSTRUCTIONS:

Check all the parts and hardware with the packing list to be sure you have received everything needed to assemble this product. CONTACT YOUR LOCAL DISTRIBUTOR WITH NOTIFICATION OF ANY MISSING OR DAMAGED PARTS. Contact must be made within ten days of receipt of your order.

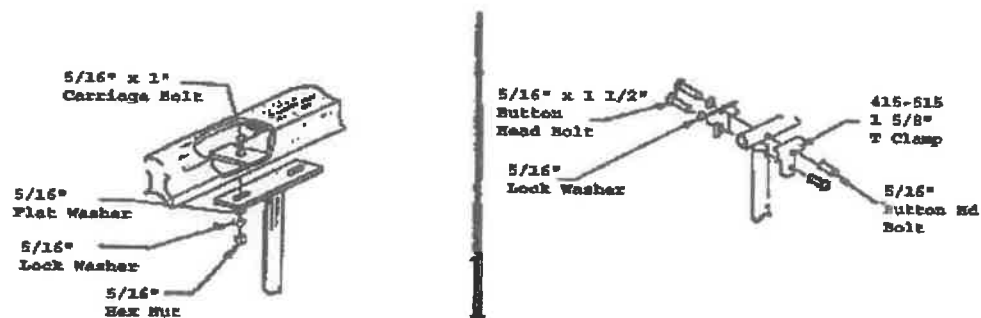
Only hand-tighten nuts & bolts on initial assembly. Final tightening should be done **EVENLY** after final assembly when unit has been plumbed & leveled. After assembly is complete, **ANY ENDS OF BOLTS PROTRUDING BEYOND NUTS SHOULD BE CUT OFF AND/OR PEENED OVER TO REMOVE ANY SHARP EDGES.** Go over entire unit to file smooth any sharp edges or projections that may have been caused by rough handling in shipping or installation. T-Clamps are designed for both one and two bolt connections. In many situations only one bolt is required. See specific assembly instructions. On products with platforms install 1 - 2 degrees off level to facilitate water drainage.

GENERAL MAINTENANCE INSTRUCTIONS:

Check **MONTHLY** for loose bolts, damaged or broken parts. Tighten and/or replace immediately.

SPECIFIC ASSEMBLY INSTRUCTIONS:

- NOTE: All threaded ends of bolts protruding beyond nuts must be cut off and/or peened to eliminate sharp edges. No more than two threads should extend beyond face of nut.
All washers, "T" nuts, and other fastener hardware used on round pipe or tubing must be hammered down to conform to the curved underlying surface to eliminate catch points.
- STEP #1: Mark & dig footing holes per SKETCH on PAGE #2.
STEP #2 & Assemble Beam on the ground per SKETCH on PAGE #1.
STEP #3: Assemble Rails on the ground per SKETCH on PAGE #1.



- STEP #4: Stand up & brace in footing holes. Length of pipe below intended level of resilient surfacing should be approximately 24" to achieve heights shown on page 1 drawing. Two long braces holding 2 legs each are recommended.
- STEP #5: Plumb & level entire unit. Pour Concrete and crown surface for drainage. Tighten all nuts & bolts so that lock washers are flat. Wait 48 hours before removing braces, installing Resilient Surfacing & using equipment.
- STEP #6: Attach Warning Label and Manufacturer's Identification Label to a clean surface. The Labels should be attached in a location where they are clearly visible and legible and away from normal hand and foot placement areas. The Labels must be replaced if they become illegible, destroyed or removed. Contact your distributor for replacement Labels.