



Tablet Computer and eReader Holder For Wheelchairs

Product Information and Mounting Tips

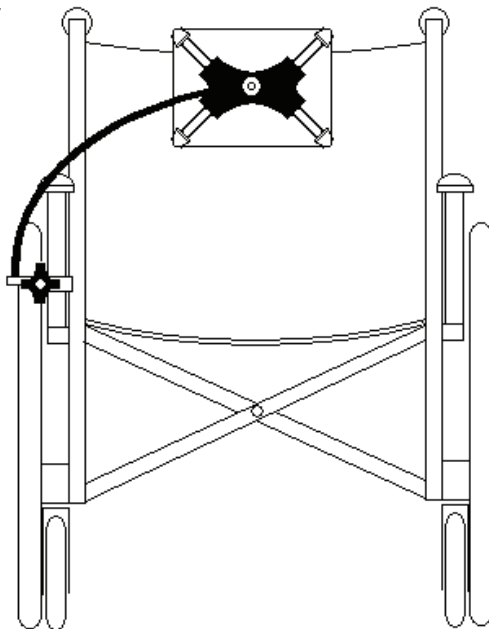
Mounting Tab Grabber

The clamp on the Tab Grabber is specifically designed to fit round tubing up to 1 1/8" diameter. This will fit all wheelchairs, round bed rails or other tubing and poles.

The best attachment point for a wheelchair application will most likely be the arm rest frame as shown.

A supplemental clamp is available for attaching the Tab Grabber to tables or other flat surfaces.

Order Part No. TG-TC



Tips

With the clamp firmly tightened onto the wheelchair frame, the flexible gooseneck and swiveling head allow for perfect positioning.

When leaving the Tab Grabber mounted to a wheelchair for a prolonged period, simply swing it out of the way to enter or exit the wheelchair.

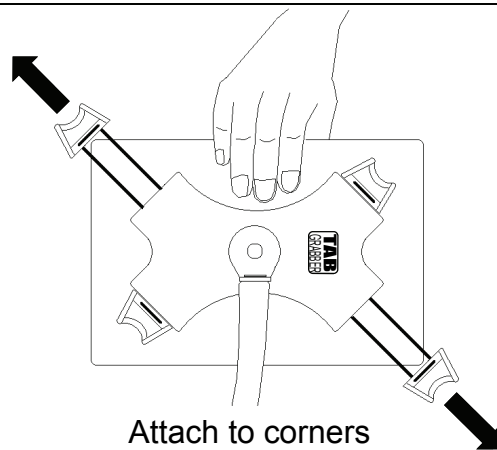
Clean all components of the Tab Grabber with a soft cloth and mild cleaning solution. Remove before power washing wheelchair.

Attaching Tablet

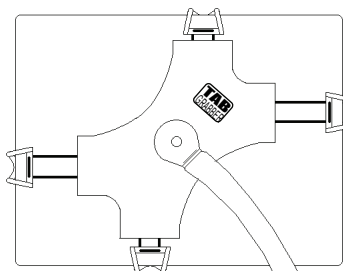
Hold tablet firmly when mounting or removing from Tab Grabber head.

The typical clip location for most tablets will be at the corners. However, if this interferes with controls, the clips can be located anywhere along the edge of the tablet as shown.

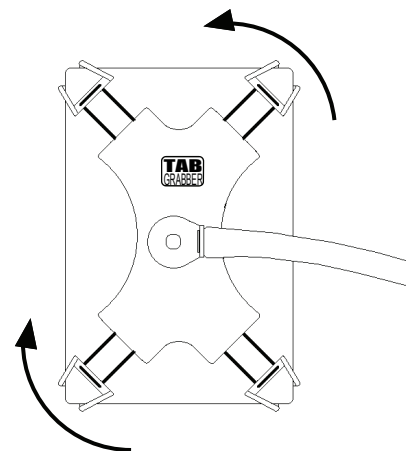
Extend retractable clips and place over opposite corners or edges first. Extend and attach two remaining clips.



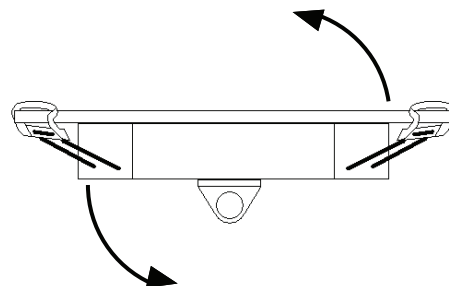
Attach to corners



Attach to edges



The head of the Tab Grabber can be rotated 360° on both axes for optimal positioning.



WARRANTY The Tab Grabber is warranted to be free from defects in material and workmanship under normal use for a period of one year. 210 Innovations sole obligation under this warranty is limited to repair or replacement of defective parts. This warranty does not cover failure due to abuse, misuse, alteration or improper installation.

Manufactured by 210 Innovations, LLC