

# Phoenix

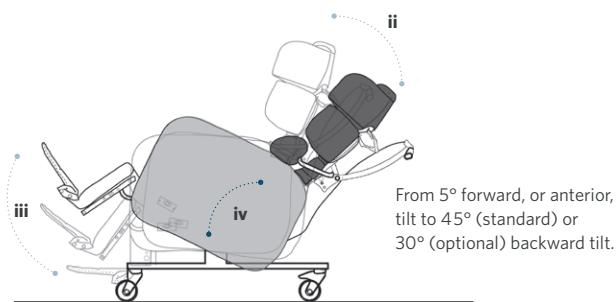
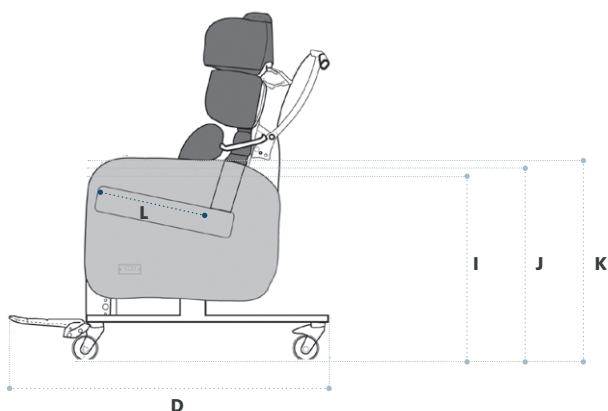
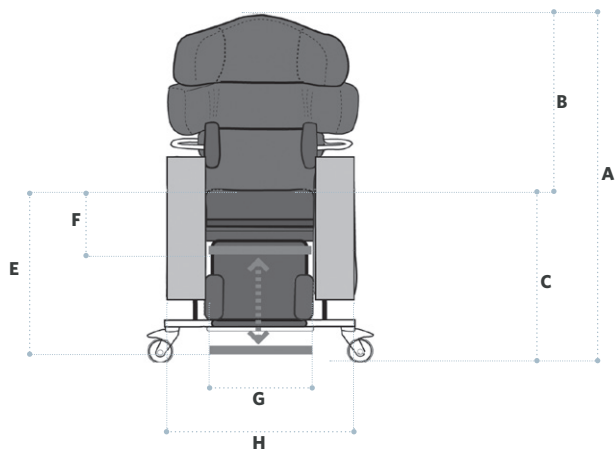


## A revolution in healthcare seating.

The most supportive and functional of our clinical, therapeutic chairs, Phoenix™ is suitable for highly dependent patients with complex needs.

Clinically designed for complex upper body support in addition to pressure management, postural support and comfort, the Phoenix easily adapts to the changing needs of a person being rehabilitated and meet the long-term needs of patients with progressive conditions.

# Technical information



## Safe Working Load (SWL)

350 lbs (159 kg)

## Basic dimensions

<b>A</b>	Overall height	55" (1,400 mm)
<b>B</b>	Back height	33" (850 mm)
<b>C</b>	Seat height	24" (600 mm)
<b>D</b>	Overall length	51" (1,300 mm)

## Footplate height adjustments

<b>E</b>	High	13" (330 mm) from seat
<b>F</b>	Low	21" (524 mm) from seat

## Available seat and overall widths

<b>G (Seat width)</b>	<b>H (Overall width)</b>
16" (400 mm)	26" (665 mm)
18" (450 mm)*	28" (715 mm)
20" (500 mm)	30" (765 mm)
22" (550 mm)	32" (815 mm)

\*Standard seat width

## Arm height options

<b>I</b>	Low	28" (715 mm)
<b>J</b>	Medium	29" (740 mm)
<b>K</b>	High	30" (765 mm)

## Seat depth

<b>L</b>	16"-20" (410-500 mm)
----------	----------------------

## Recline and tilt angles

<b>ii</b>	Back angle recline 90°-130° (40° range)
<b>iii</b>	Leg rest angle 90°-125° (35° range)
<b>iv</b>	Tilt-in-space

**Intellectual property:** Seating Matters are at the forefront of seating research and design, therefore we take the protection of our intellectual property very seriously and have our designs, patents and trademarks protected in many jurisdictions throughout the world. The Seating Matters Trademark is registered throughout the European Union and various countries globally. Patent Pending: No. GB1915470.7. US Design Patent: No. 6013605, No. D611718; No. 600932, No. D602704S. Australian Design Registration: No. 325536, No. 324011, No. 325537, No. 324012. Community Design Registration: No. 001016364-002, No. 000942180-0004, No. 002428813-0001, No. 001016364-001, No. 012673018