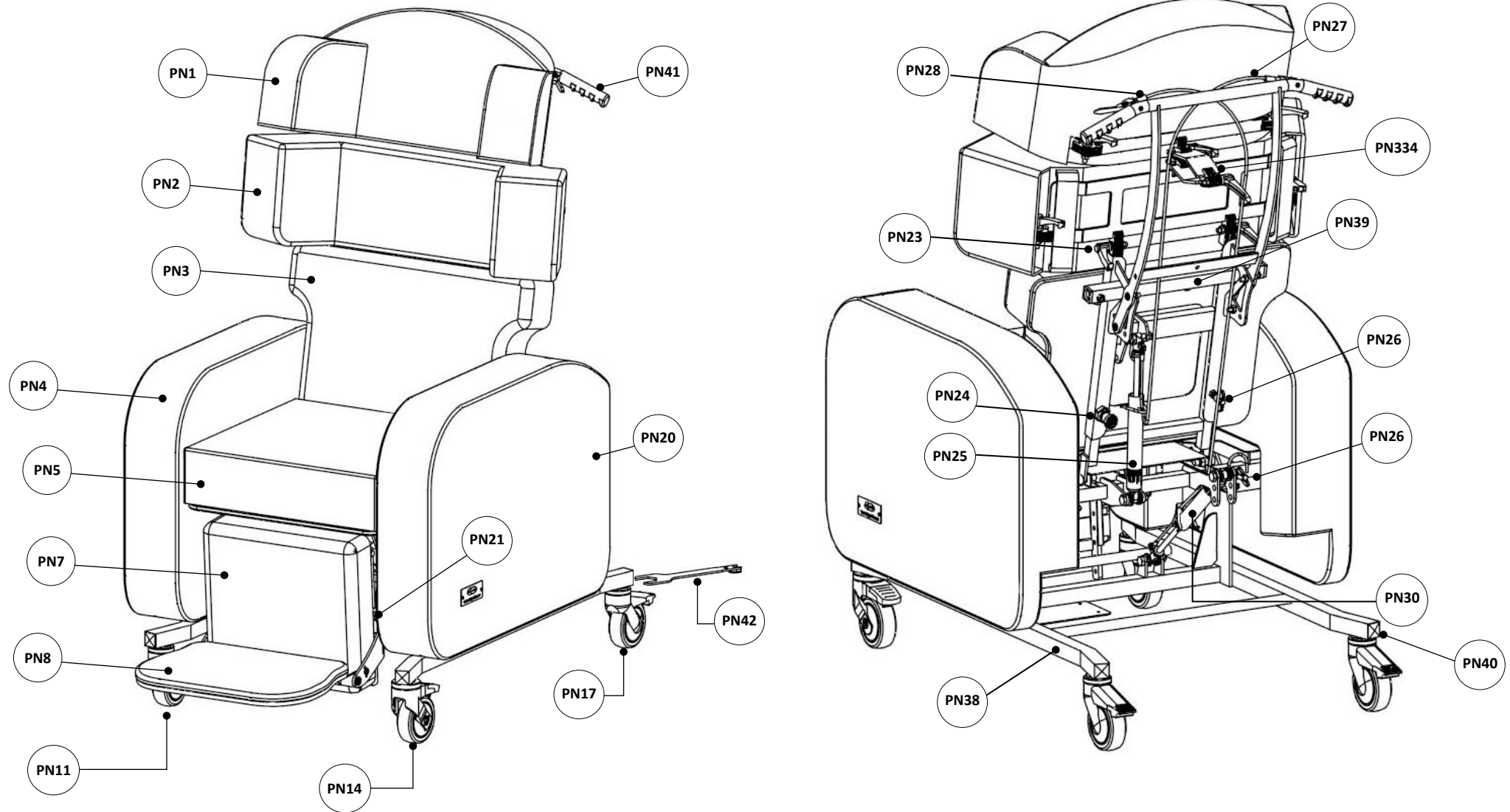




Seating Matters

Phoenix Parts List



Drawing view of 30° Model

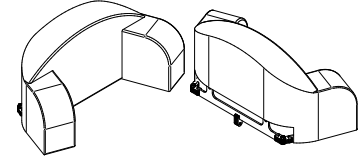
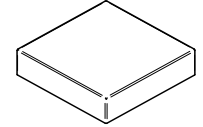
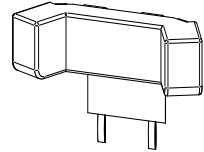
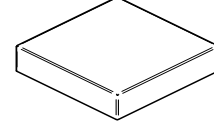
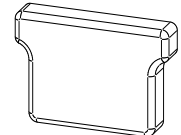
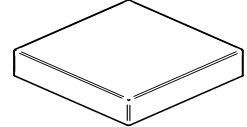
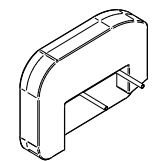
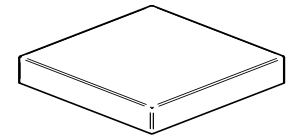
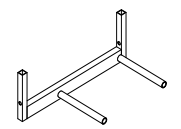
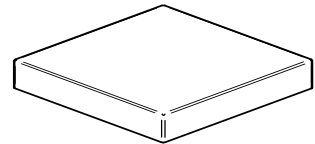
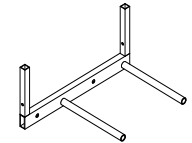
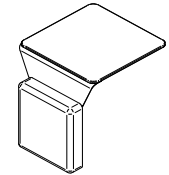
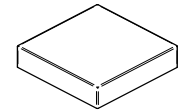
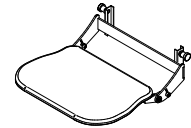


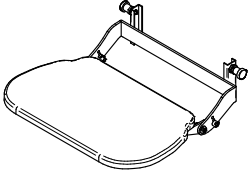

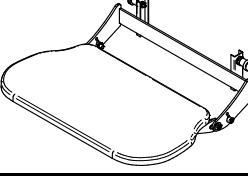

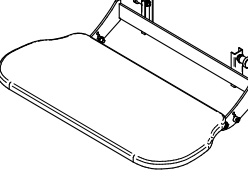

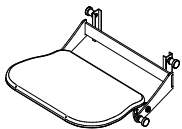

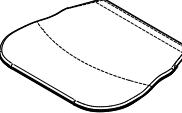




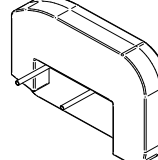

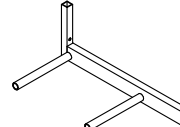
Seating Matters

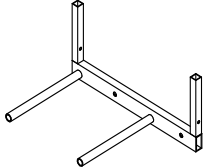
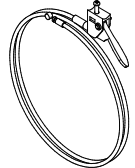
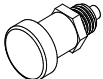
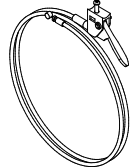
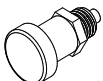
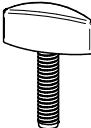
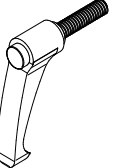
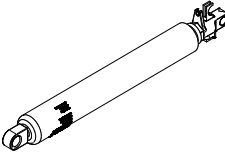
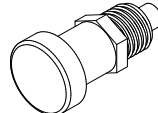
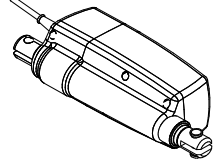
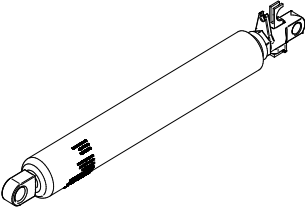
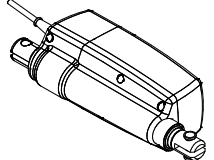
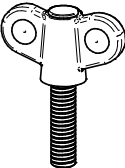
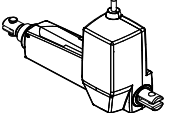
Phoenix Parts List – Standard 30° Model

Please refer to drawing views for location of parts listed below.

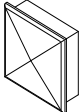
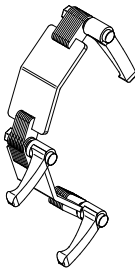
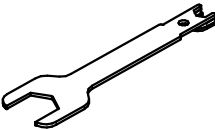
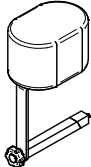
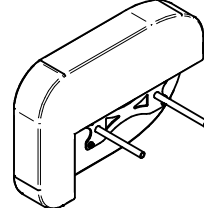
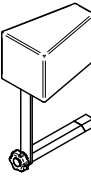
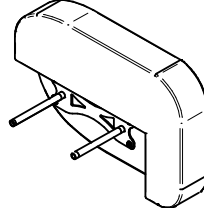
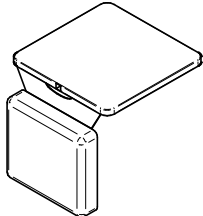
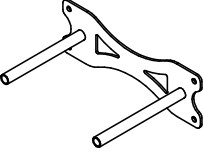
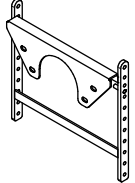
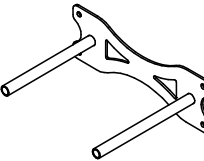
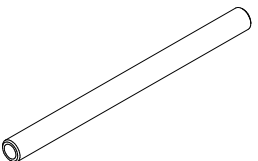
All parts compatible with 45° model unless stated.

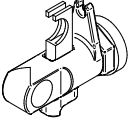

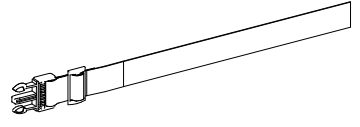
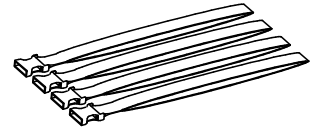

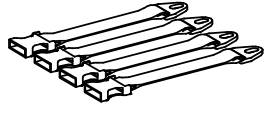
Part No	DESCRIPTION	IMAGE	Part No	DESCRIPTION	IMAGE
PN1	Head Support (Includes steel bracket)		PN373	Seat Cushion – 400mm Wide	
PN2	Shoulder Support (Upholstery Only)		PN374	Seat Cushion – 450mm Wide	
PN3	T-Back (Upholstery Only) <i>(Seat Width Required)</i>		PN6	Seat Cushion – 500mm Wide	
PN4	V1 Right Arm* (Complete with steel bracket)		PN375	Seat Cushion – 550mm Wide	
PN88	V1 Right Arm Steel Bracket <i>(350-500 Seat Width)</i>		PN376	Seat Cushion – 600mm Wide	
PN89	V1 Longer Right Arm Steel Bracket <i>(550-600 Seat Width)</i>		PN7	Baseboard and Calfpad <i>(Seat Width Required)</i>	
PN5	Seat Cushion – 350mm Wide		PN8	Standard Footplate	

Part No	DESCRIPTION	IMAGE	Part No	DESCRIPTION	IMAGE
PN378	50mm Wider Footplate		PN14	100mm Directional Lock Castor	
PN379	100mm Wider Footplate		PN15	75mm Directional Lock Castor	
PN380	200mm Wider Footplate		PN16	125mm Directional Lock Castor	
PN9	Angle Adjustable Footplate		PN17	100mm Braking Castor	
PN10	Footplate Cover		PN18	75mm Braking Castor	
PN11	100mm Non-Braking Castor		PN19	125mm Braking Castor	
PN12	75mm Non-Braking Castor		PN20*	V1 Left Arm (Complete with steel bracket)	
PN13	125mm Non-Braking Castor		PN90	V1 Left Arm Steel Bracket (350-500 Seat Width)	

Part No	DESCRIPTION	IMAGE	Part No	DESCRIPTION	IMAGE
PN91	V1 Longer Left Arm Steel Bracket (550-600 Seat Width)		PN27	1300mm Release Cable (Back Recline & Leg Rest)	
PN21	M12 Indexing Plunger (Non-Locking)		PN28	1400mm Release Cable (Tilt)	
PN22	M12 Indexing Plunger (Locking)		PN29	M8 x 25 Wing Knob (Seat Depth Adjustment)	
PN23	M8 x 35 Adjustable Clamping Handle		PN30*	280N Gas Strut (Tilt & Leg Rest)	
PN24	M16 Indexing Plunger (Non-Locking)		PN31	Elevating Leg Rest Actuator (100mm Stroke)	
PN25	850N Gas Strut (Back Recline)		PN32	Tilt Actuator (100mm Stroke)	
PN26	M8 X 30 Thumb Screw (Laterals & Arm Adjustment)		PN33	Back Recline Actuator (30mm Stroke)	

Part No	DESCRIPTION	IMAGE	Part No	DESCRIPTION	IMAGE
PN34*	CB8 Control Box (252)		PN372	Charger (Australia)	
PN35	HB 42 Handset (2 Channel)		PN38*	Standard Base Frame	
PN36	HB 43 Handset (3 Channel)		PN377*	Wider Base Frame	
PN37	Charger (UK)		PN39	Back Frame & Slider	
PN51	Charger (North America)		PN371	Back Slider	
PN381	Charger (Europe)		PN41	Handle Grip	

Part No	DESCRIPTION	IMAGE	Part No	DESCRIPTION	IMAGE
PN40	Box Cap (30mm x 30mm)		PN334	Phoenix Head Support Pivot Brackets	
PN42	Dual Spanner		PN239	Replacement Standard Pommel (PN335 Required if chair does not have built in bracket)	
PN330	V2 Right Arm (Complete with steel bracket)		PN240	Replacement Tapered Pommel (PN335 Required if chair does not have built in bracket)	
PN331	V2 Left Arm (Complete with steel bracket)		PN335	Pommel Baseboard & Calfpad (Includes Built in Bracket, Seat Width Required)	
PN332	V2 Arm Steel Bracket (350-500 Seat Width)		PN384	Calfpad Frame	
PN333	V2 Longer Arm Steel Bracket (550-600 Seat Width)		PN409	Lateral Bar Padding (Single)	

Part No	DESCRIPTION	IMAGE	Part No	DESCRIPTION	IMAGE
PN411	M10 Gas Strut Head (For all gas struts except 45° tilt – PN48)		PN415	V2 Female Tray Attachment (Phoenix-Sorrento)	
PN118	Universal Male Tray Attachment		PN416	V1 Female Tray Attachments (Phoenix-Sorrento) – Set of 4	
PN414	V1 Female Tray Attachment (Phoenix-Sorrento)		PN417	V2 Female Tray Attachments (Phoenix-Sorrento) – Set of 4	

Please provide chair serial number when ordering replacement parts to ensure correct specification.

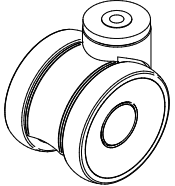
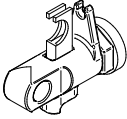
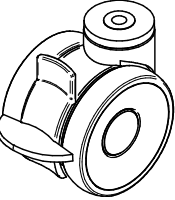
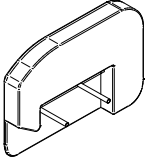
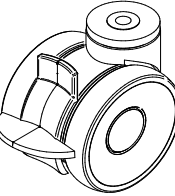
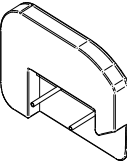
**Not compatible with 45 degree model. See 45° parts list on page 8.*

V2 Arms suit Phoenix-Sorrento Models as of 11/4/16.

All parts listed below are
exclusive to 45° model.

Phoenix Parts List – 45° Model

Part No	DESCRIPTION	IMAGE	Part No	DESCRIPTION	IMAGE
PN49	<i>Tilt Actuator (90mm Stroke)</i>		PN382	<i>V1 Right Arm (Complete with steel bracket)</i>	
PN50	<i>Back Recline Actuator (30mm Stroke with longer cable)</i>		PN383	<i>V1 Left Arm (Complete with steel bracket)</i>	
PN340	<i>CB8 Control Box (552)</i>		PN52	<i>Base Frame</i>	
PN30	<i>280N Gas Strut (Leg Rest Only)</i>		PN112	<i>Stroller Wheel Left</i>	
PN48	<i>1150N Gas Strut (Tilt)</i>		PN113	<i>Stroller Wheel Right</i>	

Part No	DESCRIPTION	IMAGE	Part No	DESCRIPTION	IMAGE
PN115	100mm Twin Castor - Non-Braking		PN410	M8 Gas Strut Head (PN48 Only)	
PN116	100mm Twin Castor - Braking		PN412	90mm Thick Arm – Left (Australia & Canada Only)	
PN117	100mm Twin Castor - Directional Lock		PN413	90mm Thick Arm – Right (Australia & Canada Only)	

Please provide chair serial number when ordering replacement parts to ensure correct specification.

