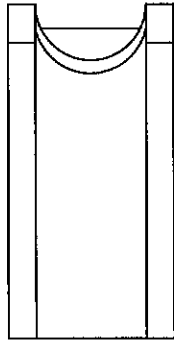
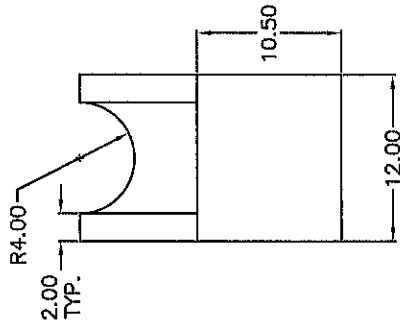
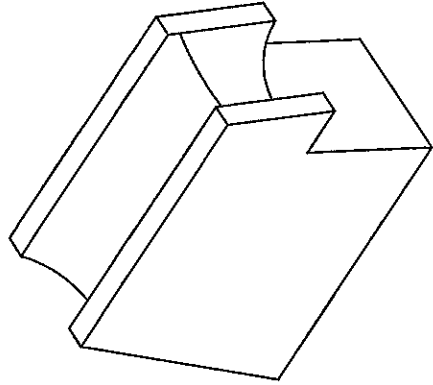
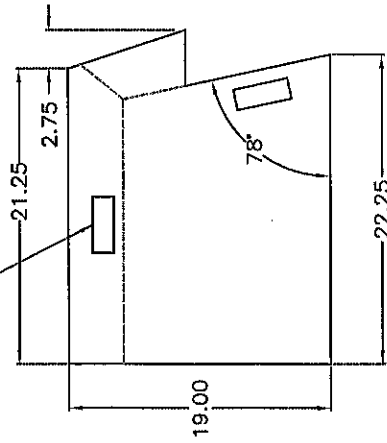


REVISIONS		
ZONE	REV	DESCRIPTION
		RELEASED TO DOCUMENT CONTROL
		DATE 01/22/98
		APPROVED



4 X 1.5 VELCRO
HOOK (4 TYP.)



INCLUDE 2 PCS VELFOAM
3.63 X .38 X 28

The information disclosed on this drawing is confidential and is the property of Span-America Medical Systems, Inc. The use, disclosure, or reproduction of this information and related know-how is prohibited without written consent from Span-America Medical Systems, Inc.

MATERIAL: PDI015 (NEI 1644 CA TAN OR EQUIV.)	SPAN-AMERICA'	
CNC TAPE	MEDICAL SYSTEMS, INC.	
ACAD FILE: (S)ENC\DWG	SPAN+AIDS	
SPANDS\SPANDS\SP196-000.DWG	90' LEG ELEVATOR	
UNLESS OTHERWISE SPECIFIED: DIMENSIONS ARE IN INCHES DECIMALS	SIZE	DWG NO.
X ±.50 ANGULAR	B	SP196-000
±.25 DO NOT SCALE DRAWING	DATE	REV
	MOC	
	01/27/98	
DRAWN		
CHECKED		
	SCALE	NONE
	#/CS	1
	SHEET	1 OF 2