

350-10-2 Single-Ramp Wheelchair Scale

with Handrail

Specifications

Capacity:

1,000 lb x 0.2 lb (450 kg x 0.1 kg)

Platform Dimensions Without Ramps:

(W x L x H) 32 in x 29.5 in x 2.375 in

Power:

9 VDC, provided by six AA alkaline batteries (included) or AC adaptor (optional)

Battery Type:

Six AA alkaline (included)

Battery Use:

25 hours continuous use with batteries
Automatic power-off can be configured

Operating Temperature:

50° F to 104° F (10° C to 40° C)

Display:

5-digit LCD display, 0.75 in (1.9 cm) digit height

Approvals:

c-Met, E113986

Warranty:

Two-year limited warranty



Model 350-10-2



Wheelchair scale in folded position

Standard Features

- Two wheels for portability
- Single ramp
- Non-slip platform
- Large 1-inch LCD display
- Motiontrap™ (movement compensation technology)
- Unit of measure toggle or locking
- EHR capable
- USB, Bluetooth 2.0, or BLE 4.0 available, part number selectable
- Tare function
- Hold function
- BMI (body mass index) function
- Factory calibrated
- Easy to store, folded depth is 11.75 in

Part Number/Price

Part #	Model #	Capacity	Price
141445	350-10-2	1,000 lb x 0.2 lb (450 kg x 0.1 kg) with USB	Consult
168351	350-10-2BT	1,000 lb x 0.2 lb (450 kg x 0.1 kg) with USB and Bluetooth® 2.0	Consult
194739	350-10-2BLE	1,000 lb x 0.2 lb (450 kg x 0.1 kg) with Bluetooth® BLE 4.0	Consult

Shipping Weight

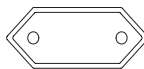
Part #	Model #	L (in)	W (in)	H (in)	Package Wgt. (lb)	Dim Wgt. (lb)	Shipping Wgt. (lb)
141445	350-10-2	42	41	14	90	174	174
168351	350-10-2BT	42	41	14	90	174	174
194739	350-10-2BLE	42	41	14	90	174	174

Options/Accessories

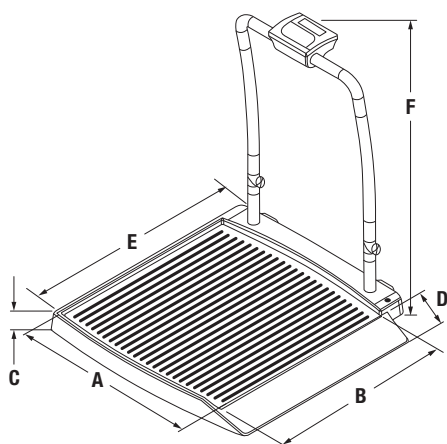
Part #	Description	Price
115655 †	9 VDC adaptor, 120 V/230 V auto switching c-MET medical grade power supply	Consult
133077 †	9 VDC adaptor, 120 V/230V auto switching	Consult
102508 ††	9 VDC adaptor, 230 V	Consult
81076	Epson TM-U220 tape printer	Consult
186830	Printer cable, 25-pin D-Sub male to RJ-45, 6 ft	Consult



† NEMA 1-15 Plug



†† CEE 7/16 Plug



Dimensions

	Inches	Centimeters
A	29.5	74.9
B	32	81.3
C	2.4	6.1
D	9.25	23.5
E	37.5	95.3
F	45	114.3