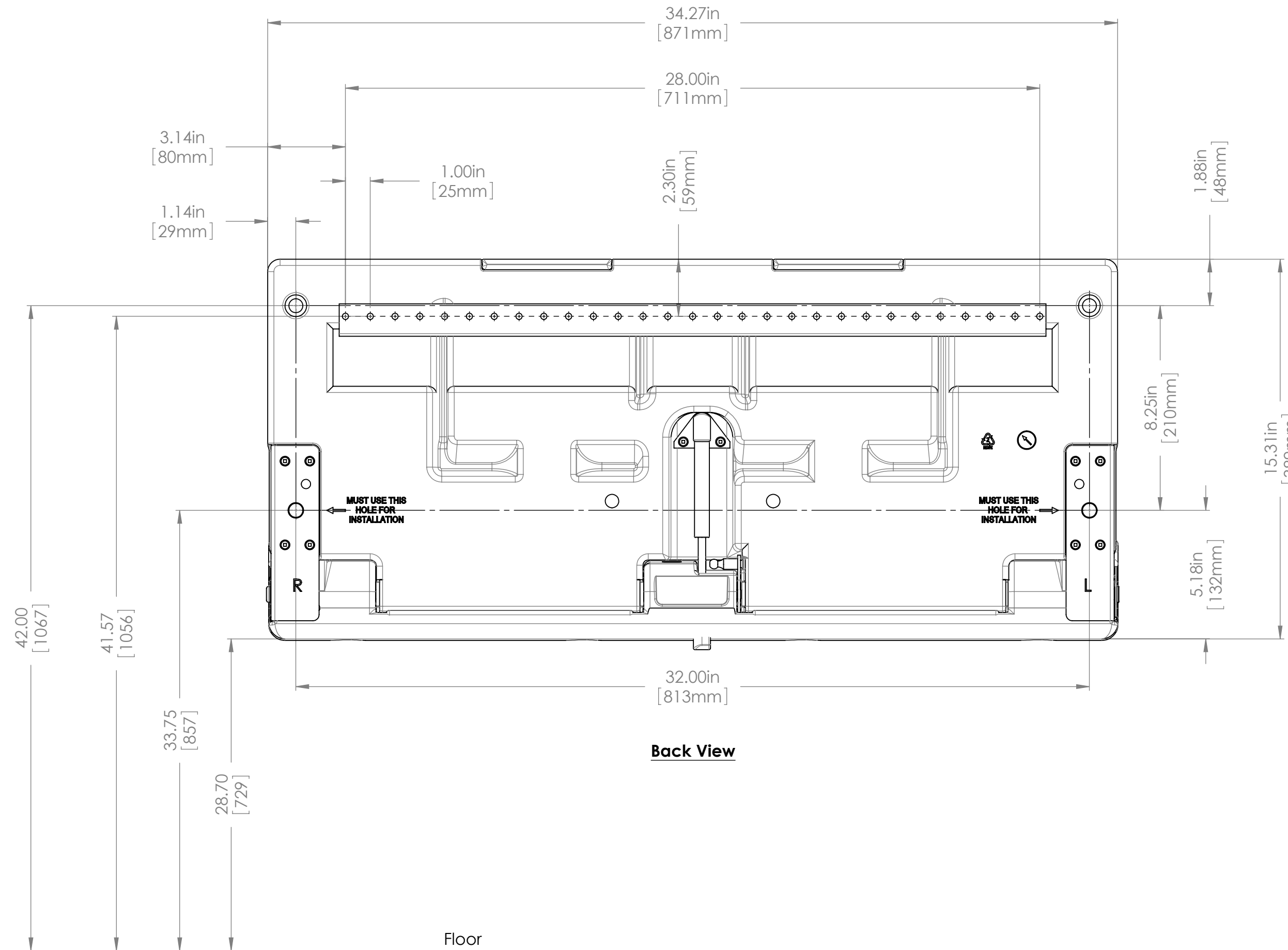
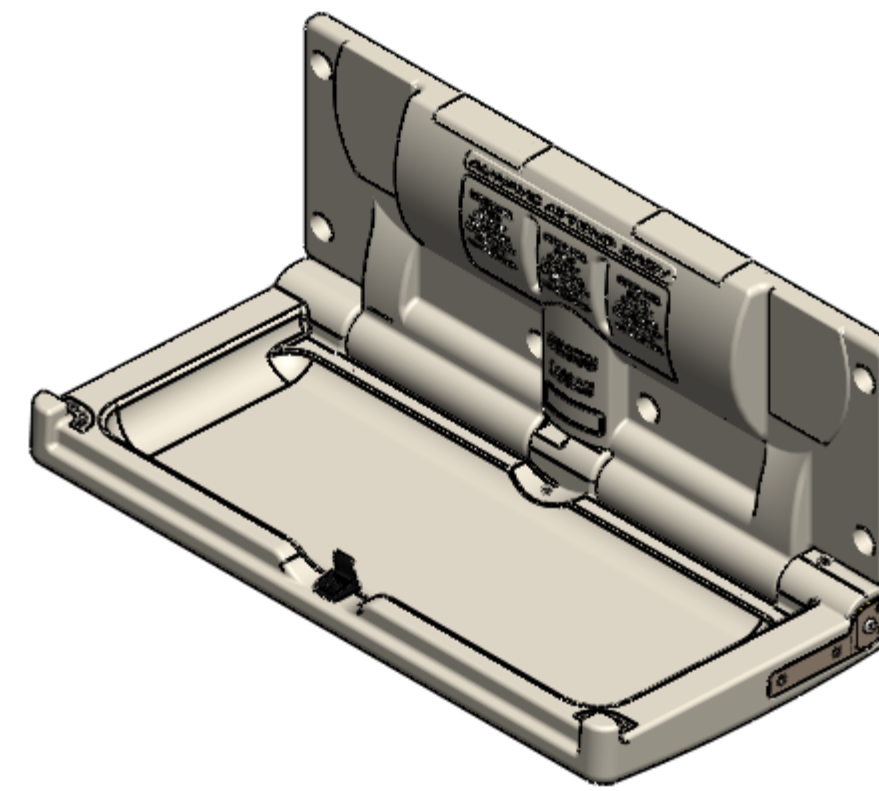
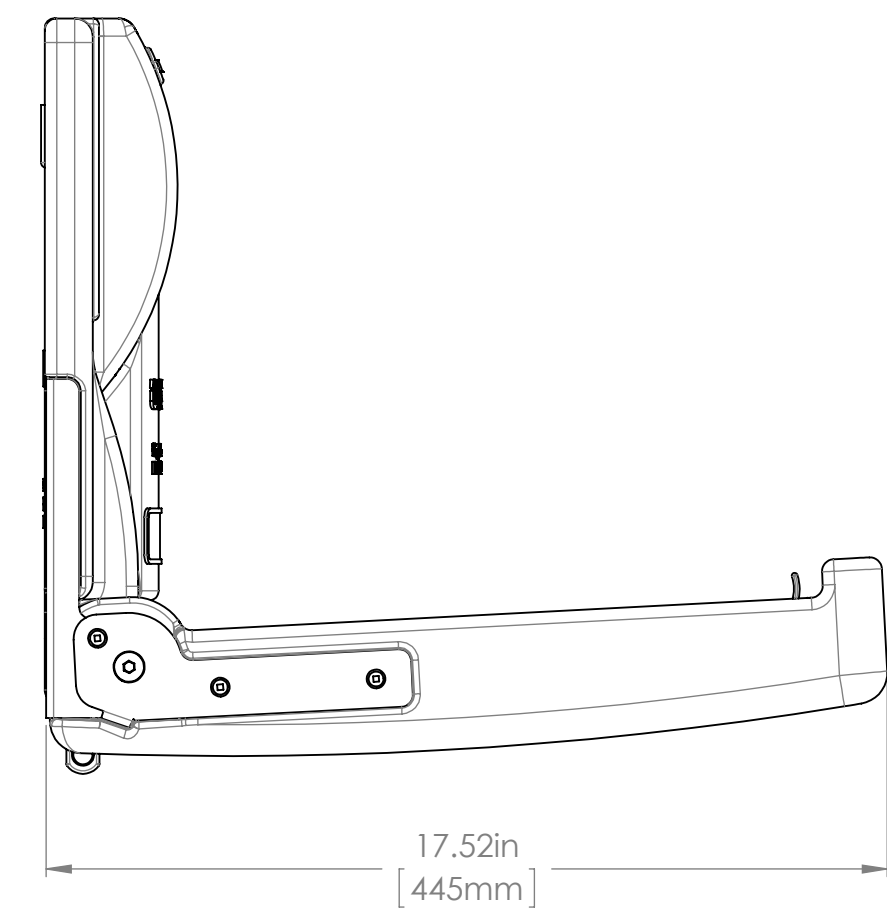


REV.	DESCRIPTION	DATE	APPROVED
0	Initial Release	12/2/2008	JXxxxx
1	Added Side Hinges	3/26/2009	JXxxxx
2	A.F.F. height change: 46.0in to 42.0in	2/05/13	LP



**Back View**



DIMENSIONAL TOLERANCES: (UNLESS OTHERWISE SPECIFIED) FRACTIONAL: $\pm \frac{1}{32}$ " MACHINED ANGLES: $\pm 0.5^\circ$ BEND ANGLES: $\pm 1.0^\circ$ 0.XX: $\pm 0.040$ in [1mm] 0.XXX: $\pm 0.0150$ in [0.38mm]			
		DESCRIPTION: <b>Architectural Layout for 100EH-BP</b>	
MATERIAL:	N/A	PART NO:	Arch - 100EH-BP
FINISH:	N/A	SCALE:	NTS
		DATE:	12/1/2008
		REV:	2
		SIZE:	C
		SHEET:	1 OF 1
<b>PROPRIETARY AND CONFIDENTIAL</b>		THE INFORMATION CONTAINED IN THIS DRAWING IS THE EXCLUSIVE PROPERTY OF FOUNDATIONS WORLDWIDE, INC. ANY REPRODUCTION OR USE OF THIS DRAWING, IN PART OR IN WHOLE WITHOUT THE EXPRESSED PERMISSION OF FOUNDATIONS WORLDWIDE, INC IS PROHIBITED.	