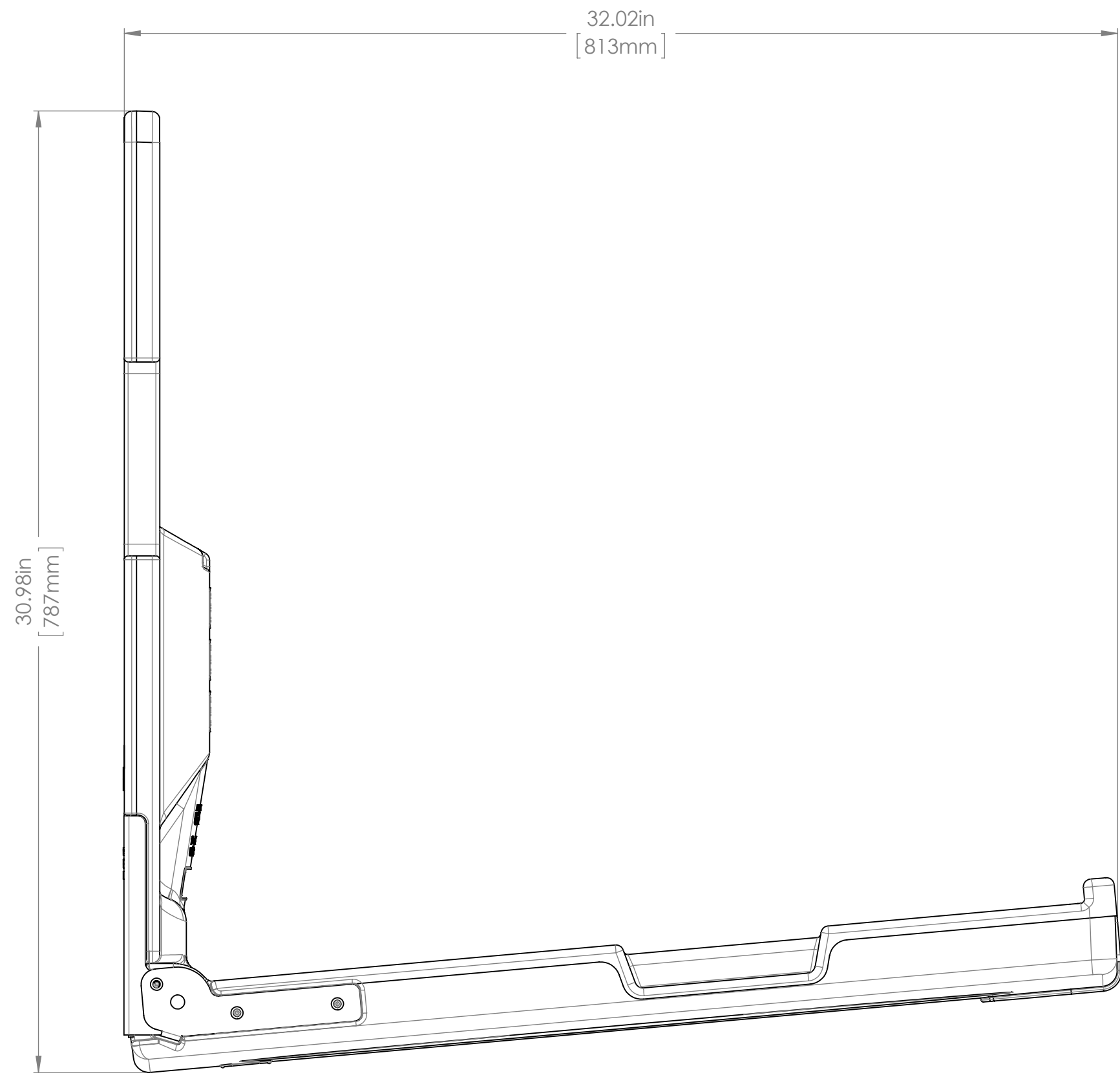
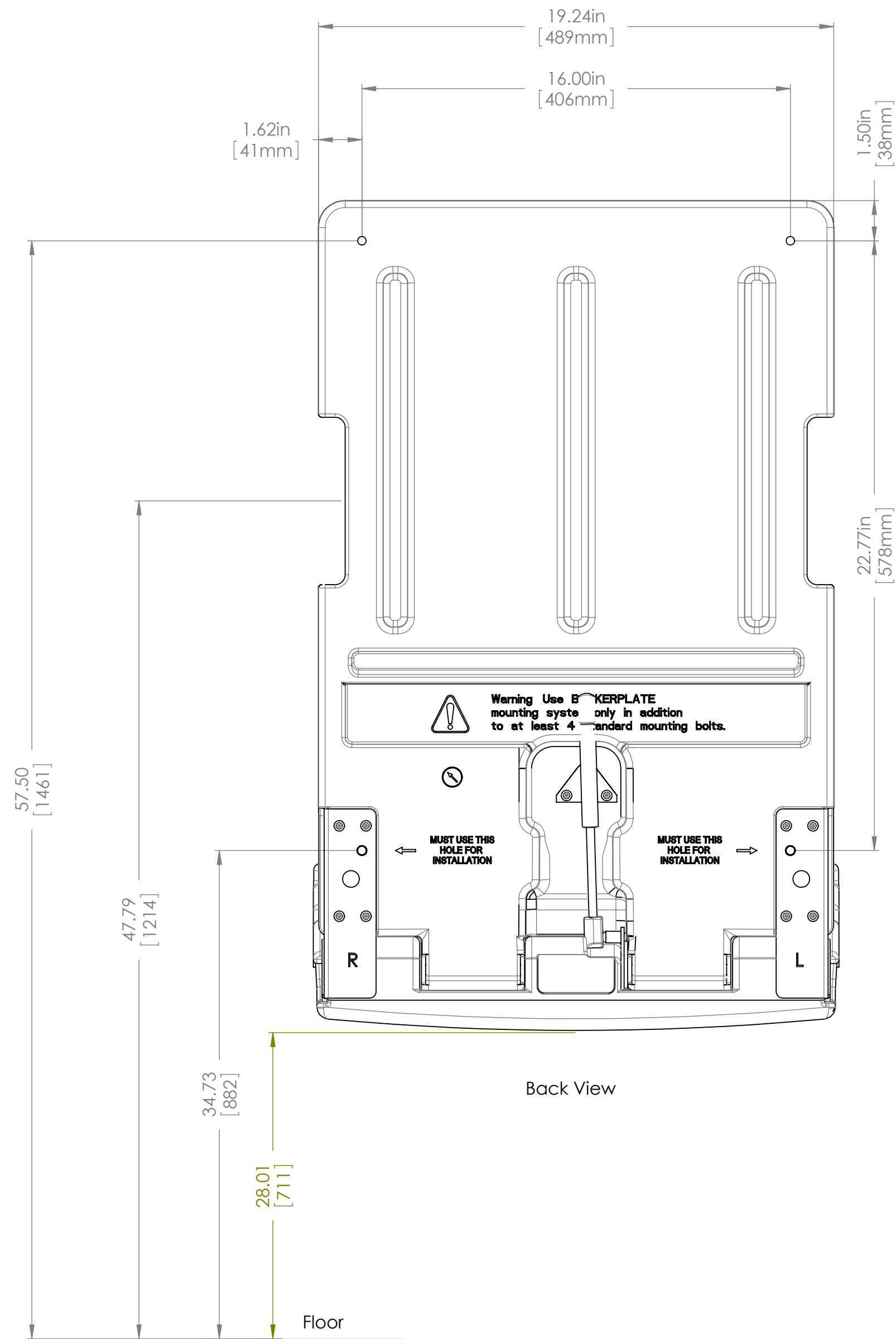


REV.	DESCRIPTION	DATE	APPROVED
0	Initial Release	5/18/2009	JXxxx
1	A.F.F. height change: 61.0in to 57.5in	2/06/13	LP



DIMENSIONAL TOLERANCES: (UNLESS OTHERWISE SPECIFIED) FRACTIONAL: $\pm \frac{1}{32}$ " MACHINED ANGLES: $\pm 0.5^\circ$ BEND ANGLES: $\pm 1.0^\circ$ 0.XX: $\pm 0.040$ in [1mm] 0.XXX: $\pm 0.0150$ in [0.38mm]			
DESCRIPTION: Architectural Layout for 100EV		PART NO: Arch - 100EV	
MATERIAL: N/A	FINISH: N/A	SCALE: NTS	REV: 1
DRAWN BY: JXxxx		DATE: 3/26/2009	SIZE: C
SHEET 1 OF 1		PROPRIETARY AND CONFIDENTIAL <small>THE INFORMATION CONTAINED IN THIS DRAWING IS THE EXCLUSIVE PROPERTY OF FOUNDATIONS WORLDWIDE, INC. ANY REPRODUCTION OR USE OF THIS DRAWING, IN PART OR IN WHOLE WITHOUT THE EXPRESSED PERMISSION OF FOUNDATIONS WORLDWIDE, INC IS PROHIBITED.</small>	