

CLINICAL, THERAPEUTIC SEATING

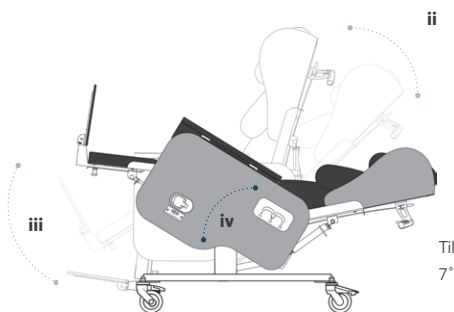
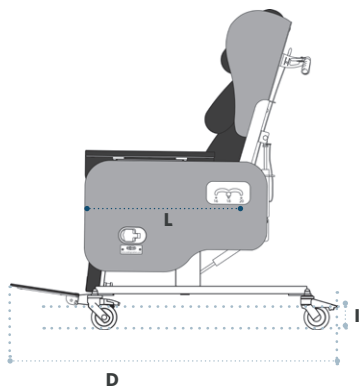
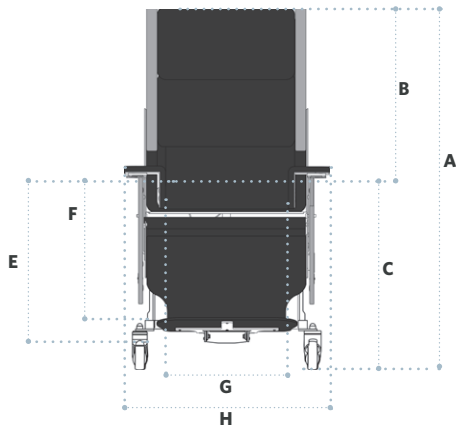
# Milano



## A revolution in seating design.

Designed for accessibility, the Milano™ is perfect for multiple users because it can easily be adjusted to fit different patients and residents.

# Technical information



Tilt goes from 0°-35°, with 7° anterior tilt as an option.

## Safe Working Load (SWL)

350 lbs (159 kg)

## Basic dimensions

<b>A</b>	Overall height	51" (1,300 mm)
<b>B</b>	Back height	30" (750 mm)
<b>C</b>	Seat height	21" (540 mm)
<b>D</b>	Inside back width	36.5" (930 mm)

## Footplate height adjustments

<b>E</b>	High	16" (400 mm) from seat
<b>F</b>	Low	23" (580 mm) from seat

## Available seat and overall widths

<b>G (Seat width)</b>	<b>H (Overall width)</b>
16"-20" (400-500 mm)	27.5"-31.5" (700-800 mm)

## Clearance height

<b>I</b>	5" (130 mm)
----------	-------------

## Seat depth

<b>L (Seat position 1)</b>	16" (400 mm)
<b>L (Seat position 2)</b>	18" (450 mm)
<b>L (Seat position 3)</b>	20" (500 mm)

## Recline and tilt angles

<b>ii</b>	Back angle recline 100°-140° (40° range)
<b>iii</b>	Leg rest angles: Position 1 is 90°-160° Position 2 (negative angle) is 75°-145°
<b>iv</b>	Tilt-in-space

**Intellectual property:** Seating Matters are at the forefront of seating research and design, therefore we take the protection of our intellectual property very seriously and have our designs, patents and trademarks protected in many jurisdictions throughout the world. The Seating Matters Trademark is registered throughout the European Union and various countries globally. Patent Pending: No. GB1915470.7. US Design Patent: No. 6013605, No. D611718; No. 600932, No. D602704S. Australian Design Registration: No. 325536, No. 324011, No. 325537, No. 324012. Community Design Registration: No. 001016364-002, No. 000942180-0004, No. 002428813-0001, No. 001016364-001, No. 012673018