



## Installation/Operation Instructions

### Model 4002, 4024 – Quality Line Treatment Tables

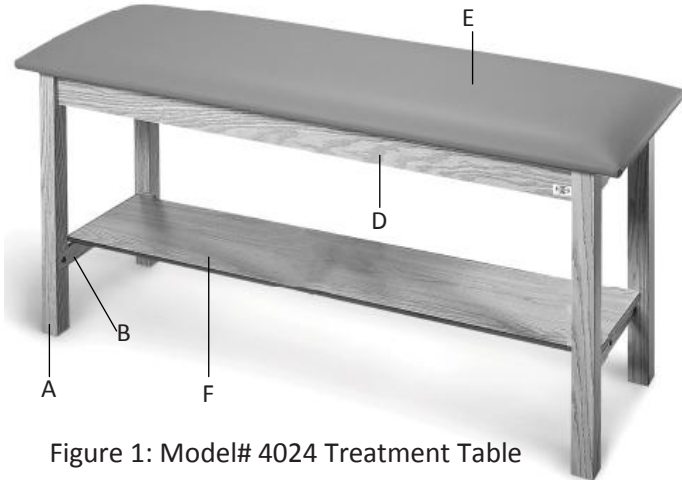


Figure 1: Model# 4024 Treatment Table

#### Product Specifications (4002/4024)

Model #	Length	Width	Height	Weight Capacity
4002 4024	72"	24"	31"	400lbs
4002-027 4024-027	72"	27"	31"	400lbs
4002-030 4024-030	72"	30"	31"	400lbs
4002-030-078 4024-030-078	78"	30"	31"	400lbs

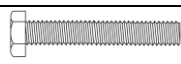





\*Adjustable Backrest Option -- Weight Capacity 350 lbs\*

#### PARTS LIST

Model # 4002, 4024

PART	QTY	DESCRIPTION
A	4	Leg
B	2	Short Stretcher
C	1	Long Stretcher
D	4	Apron (Attached to upholstered top)
E	1	Upholstered Top
F	1	Shelf (Only for 4024)
G	2	Velcro Straps (Only for 4024)
H	4	Corner Plates
N	4	Clips (Installed only with Backrest/Headrest option)

#### HARDWARE

PART	QTY	DESCRIPTION
I	4	 → 4 1/2" x 5/16" – 18 Hex Bolt
K	6	 → Socket Hex Screw
N	4	 → 3/8" Philip Screw (Only with backrest/headrest option)
L	1	 → 4 mm Allen Wrench
M	4	 → Lock Washer
J	4	 → 5/16" Flat Washer

#### Tools Required:

- 1/2" Socket Wrench
- Allen Wrench (included)
- Philips Screw Driver (Only for Backrest/Headrest option)

#### A) INSTALLATION INSTRUCTIONS (Model # 4002, 4024):

1. Attach the Short Stretcher 'B' to the Legs 'A' with 2" Socket Hex Screw 'K' so that the unfinished edge is facing lower end of the legs as shown in Figure 2.
2. Repeat step 1 for the other pair of legs.
3. Attach the assembled legs with pre-drilled holes facing Corner Plates 'H' with 5/16" Flat Washers 'J', Lock Washer 'M' and Hex Bolt 'I' with Lock washer placed directly under bolt head as shown in Figure 3. Please see the **NOTE** on the next page for tables with Backrest/Headrest option.

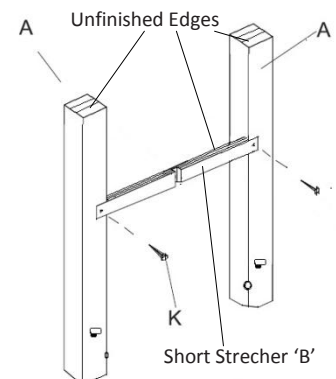


Figure 2: Leg & Short Stretcher

**NOTE:** (For Backrest/Headrest option only) Make sure that the legs on the backrest/headrest side flush with the top of the apron and the clip sits flat on the bottom side of the apron as shown in Figure 5.

4. Tighten Hex Bolt with wrench until you can see lock washer flattening out.

**NOTE:** Make sure that the long stretcher cutout is facing inwards as shown in Figure 3 and 4.

5. After attaching all four legs to the tabletop, attach the Long Stretcher 'C' to the short stretchers (unfinished edge away from table top) with socket hex 'K' on each end as shown in Figure 4.

6. (Table with Backrest/Headrest option) Secure clips to the bottom of the Apron with philip screws 'N' as shown in Figure 5.

7. (Step 7 and 8 for Model# 4024 only) Attach Shelf 'F' to the long stretcher by Hook and Loop velcro strips that are factory attached to the bottom of the shelf as shown in Figure 6.

8. Remove the loop part of the velcro and adhere it in the center of the short stretcher and carefully place the shelf into position as shown in Figure 6 and repeat the same procedure for the other side.

**NOTE:** Handle the shelf very carefully as dropping it on the corners could result in damaging the corners.

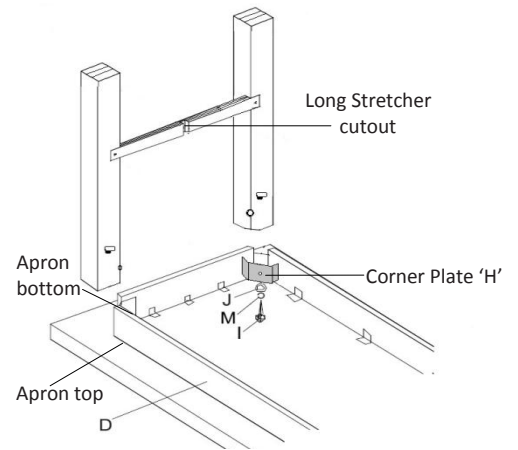


Figure 3: Leg & Short Stretcher

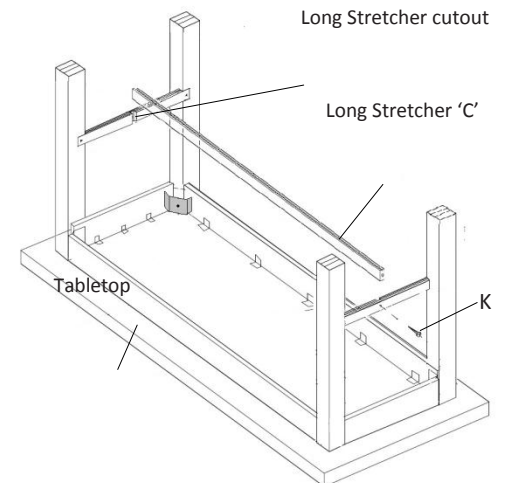


Figure 4: Leg & Short Stretcher

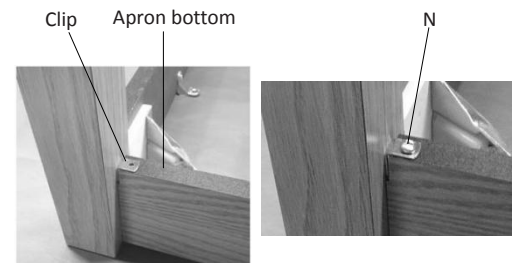
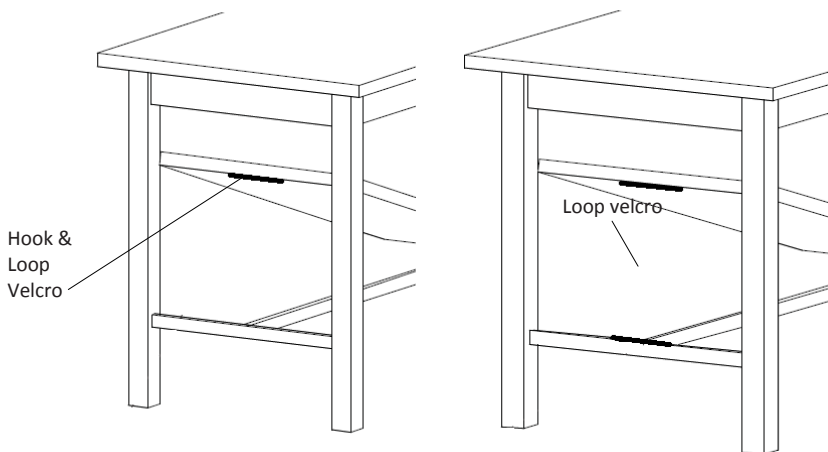


Figure 5: Clip secured to apron



**CAUTION: PREVENTATIVE MAINTENANCE REQUIRED**

1. Inspect hex bolts and other mechanical fasteners at least every three (3) months. Tighten bolts, screws or connectors if loose. (Tighten until snug, but do not overtighten.) Failure to do so may result in serious injury.
2. Inspect all moving parts such as back hinge and leg rest for satisfactory operation. Call your dealer immediately if a problem exists. Discontinue use of any product that is not in proper working order until situation is rectified. Failure to do so may result in serious injury.



Please join Hausmann's effort to reduce paper use and keep the planet green by using our paperless Warranty Registration form. Visit [www.hausmann.com](http://www.hausmann.com) and click on Warranty Registration. If you do not have web access or prefer the form be mailed or faxed to you, please call Hausmann Customer Service.

**As of January 1, 2010, we will no longer include the paper based forms, please visit the online link to fill in your Warranty Form.**