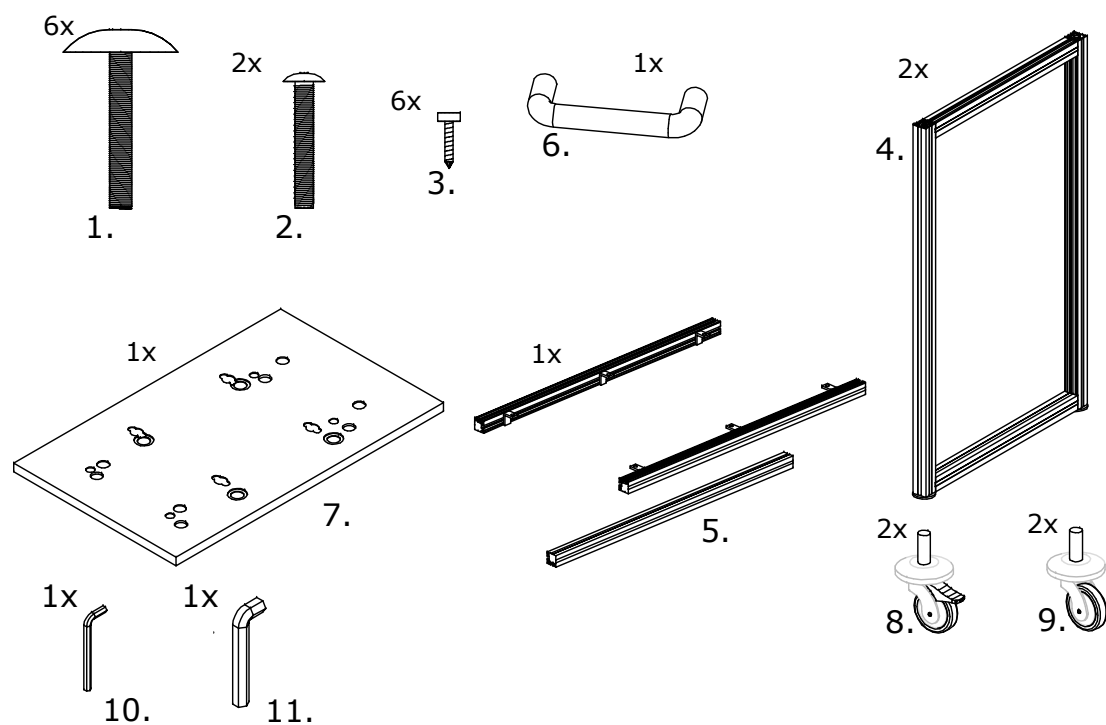
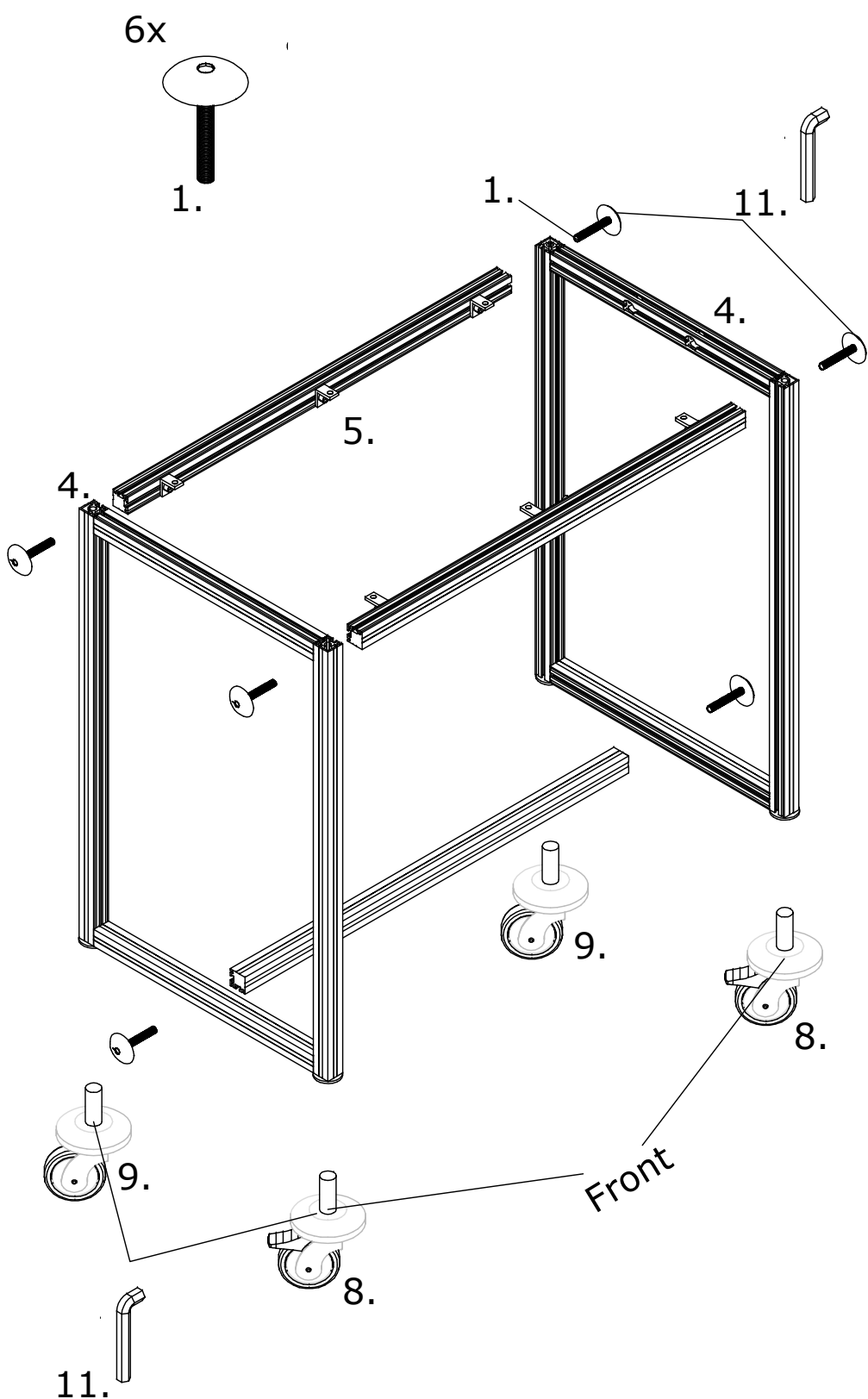


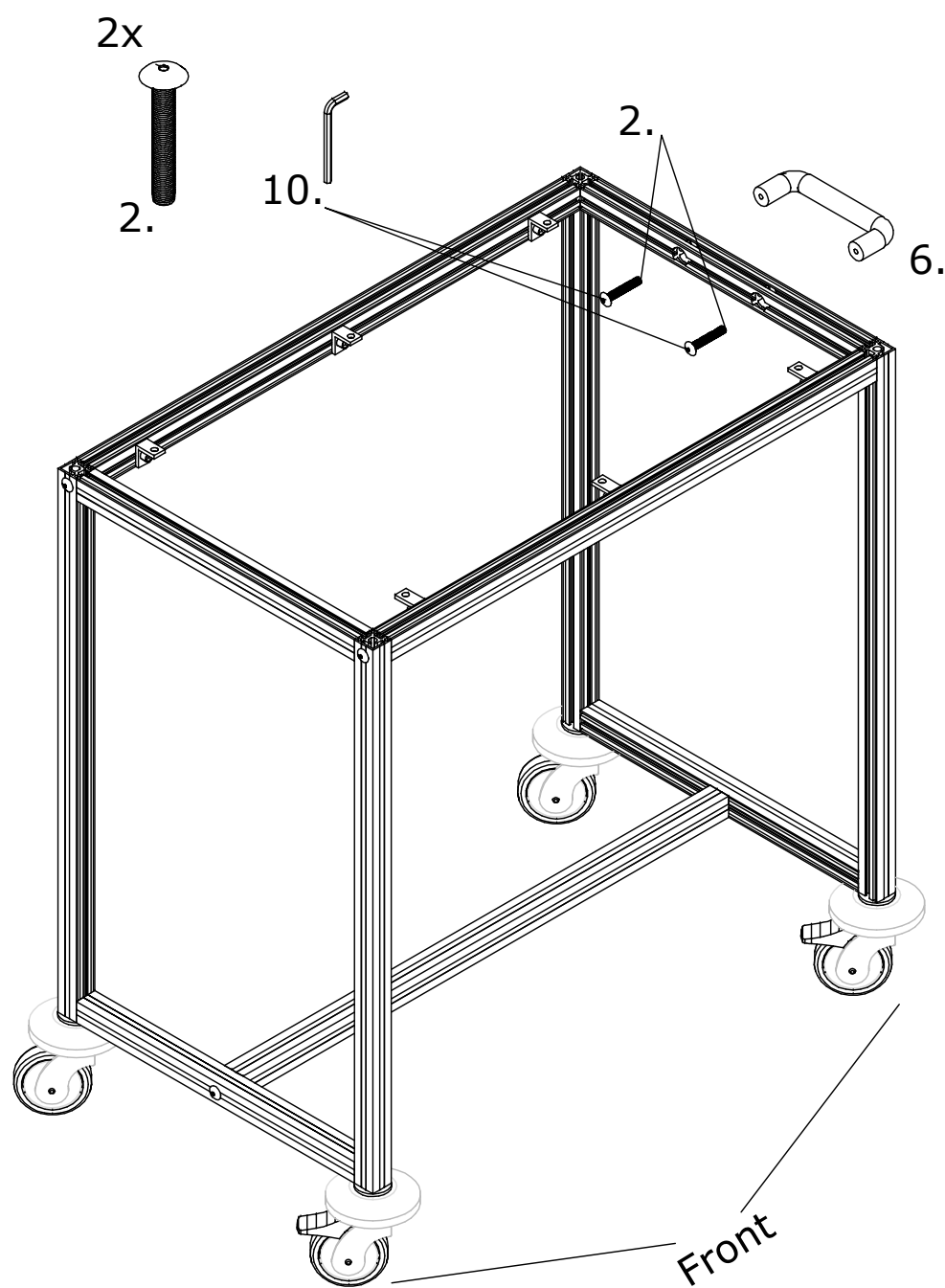
Baby Scale Cart 402



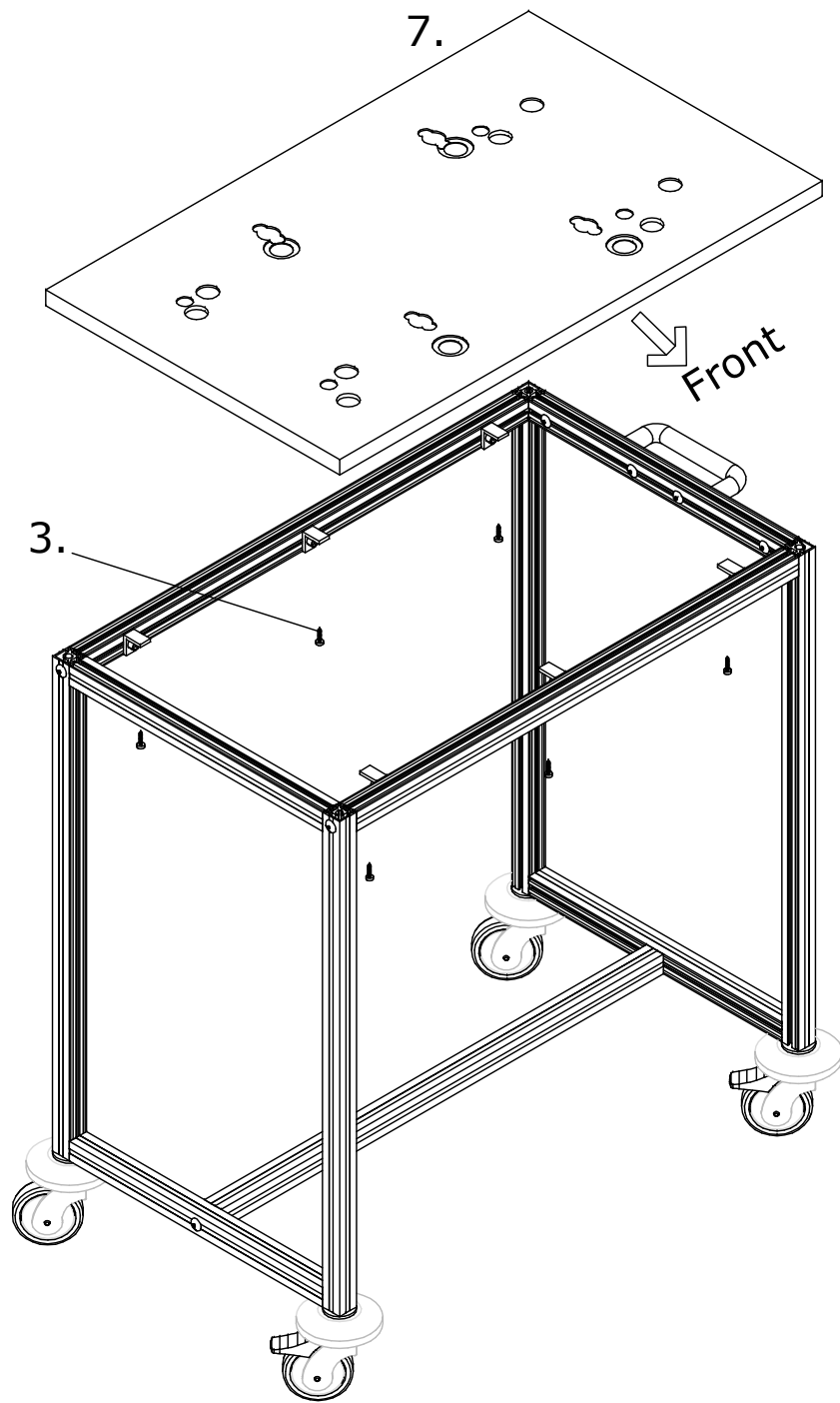
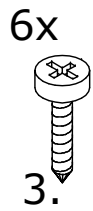
1



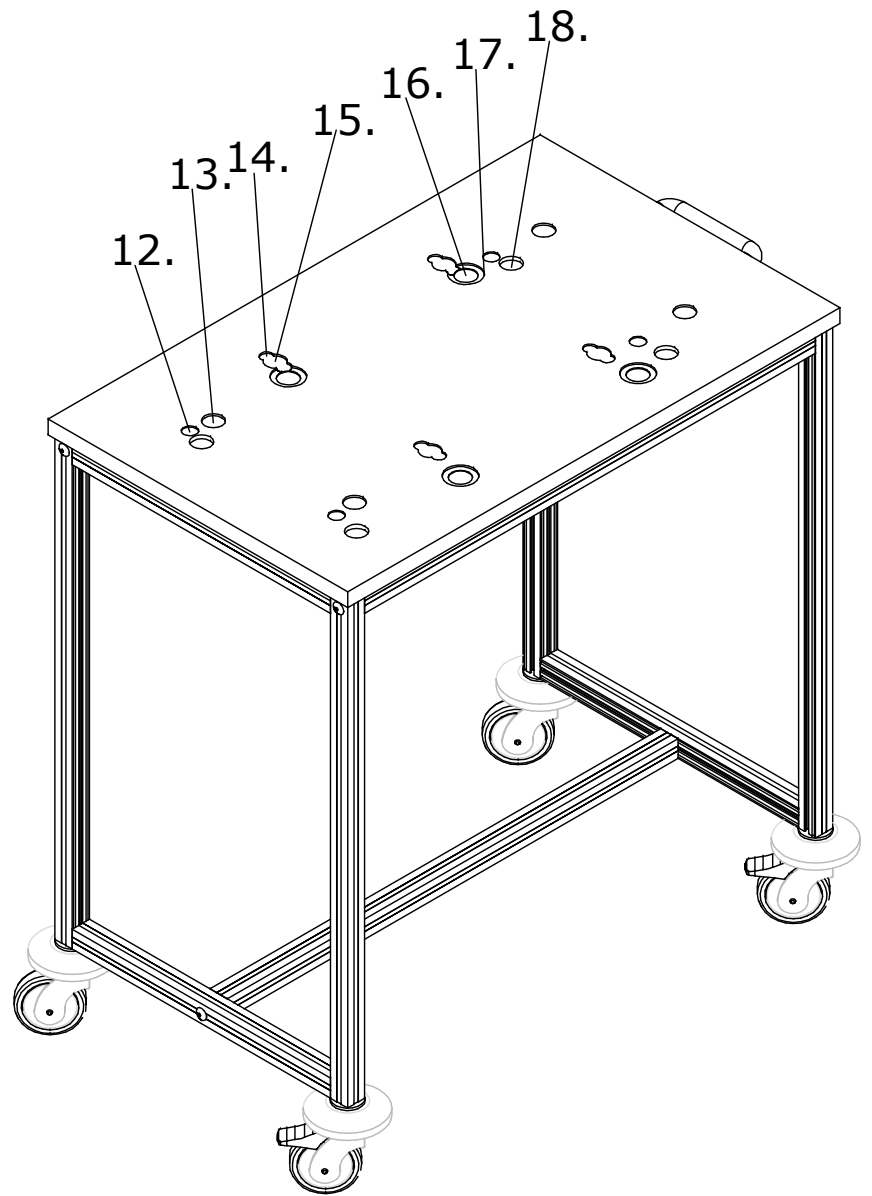
2



3



4



- 12. scale model seca 334/335
- 13. scale model seca 374/376/378
- 14. scale model seca 354/382/383/833/834/835
- 15. scale model seca 384/385
- 16. scale model seca 727/728
- 17. scale model seca 757/717
- 18. scale model seca 336

Medical
Measuring Systems
and Scales
since 1840

seca gmbh & co.kg
Hammer Steindamm 9-25
22089 Hamburg Germany

Telephone +49 40 20 00 00 0
Fax +49 40 20 00 00 50

info@seca.com
All contact data under www.seca.com