

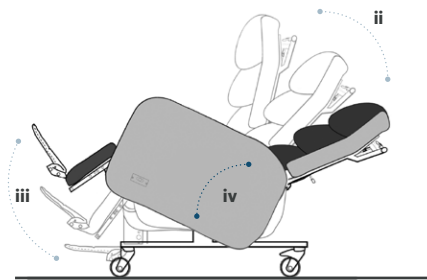
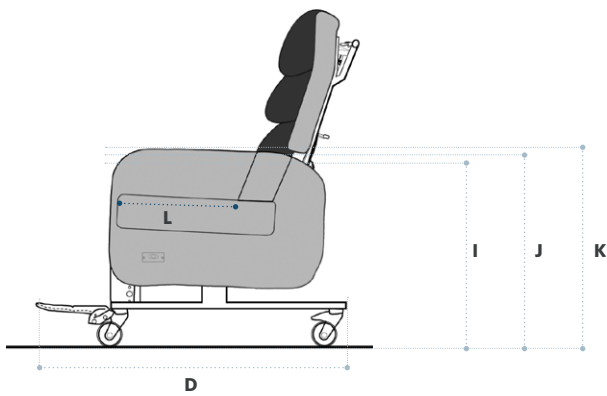
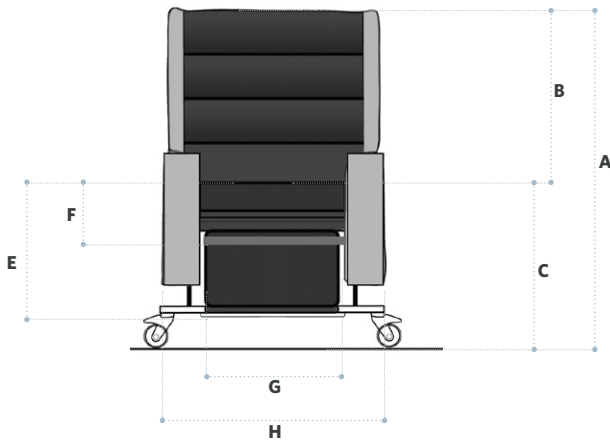
# Bariatric Sorrento



## A revolution in seating design.

The Bariatric Sorrento™ was designed to help seat bariatric patients and residents by using improved postural support and repositioning, while reducing the risk of injury to both patient/resident and caregiver.

# Technical information



From 5° forward, or anterior, tilt to 30° backward tilt.

## Safe Working Load (SWL)

650 lbs (295 kg)

## Basic dimensions

<b>A</b>	Overall height	51" (1,300 mm)
<b>B</b>	Back height	30" (750 mm)
<b>C</b>	Seat height	24" (600 mm)
<b>D</b>	Overall length	51" (1,300 mm)

## Footplate height adjustments

<b>E</b>	High	12" (310 mm) from seat
<b>F</b>	Low	20.5" (520 mm) from seat

## Available seat and overall widths

<b>G (Seat width)</b>	<b>H (Overall width)</b>
24"-30" (610-750 mm)	38" (950 mm)
30" (750 mm)	
32"-38" (815-950 mm)	46" (1,170 mm)

\*Standard seat width

## Arm height options

<b>I</b>	Low	28" (715 mm)
<b>J</b>	Medium	29" (740 mm)
<b>K</b>	High	30" (765 mm)

## Seat depth

<b>L</b>	16"-26" (410-660 mm)
----------	----------------------

## Recline and tilt angles

<b>ii</b>	Back angle recline 90°-130° (40° range)
<b>iii</b>	Leg rest angle 90°-125° (35° range)
<b>iv</b>	Tilt-in-space

**Intellectual property:** Seating Matters are at the forefront of seating research and design, therefore we take the protection of our intellectual property very seriously and have our designs, patents and trademarks protected in many jurisdictions throughout the world. The Seating Matters Trademark is registered throughout the European Union and various countries globally. Patent Pending: No. GB1915470.7. US Design Patent: No. 6013605, No. D611718; No. 600932, No. D602704S. Australian Design Registration: No. 325536, No. 324011, No. 325537, No. 324012. Community Design Registration: No. 001016364-002, No. 000942180-0004, No. 002428813-0001, No. 001016364-001, No. 012673018