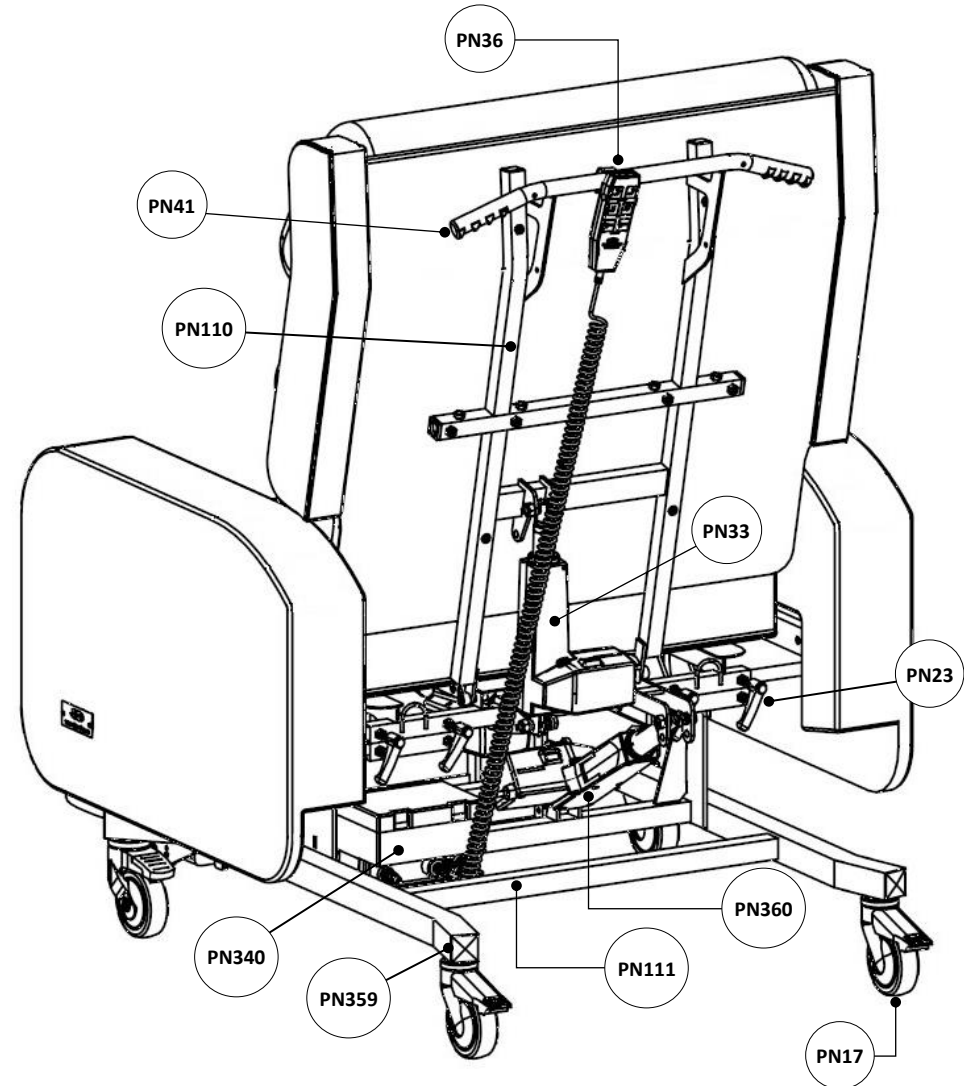
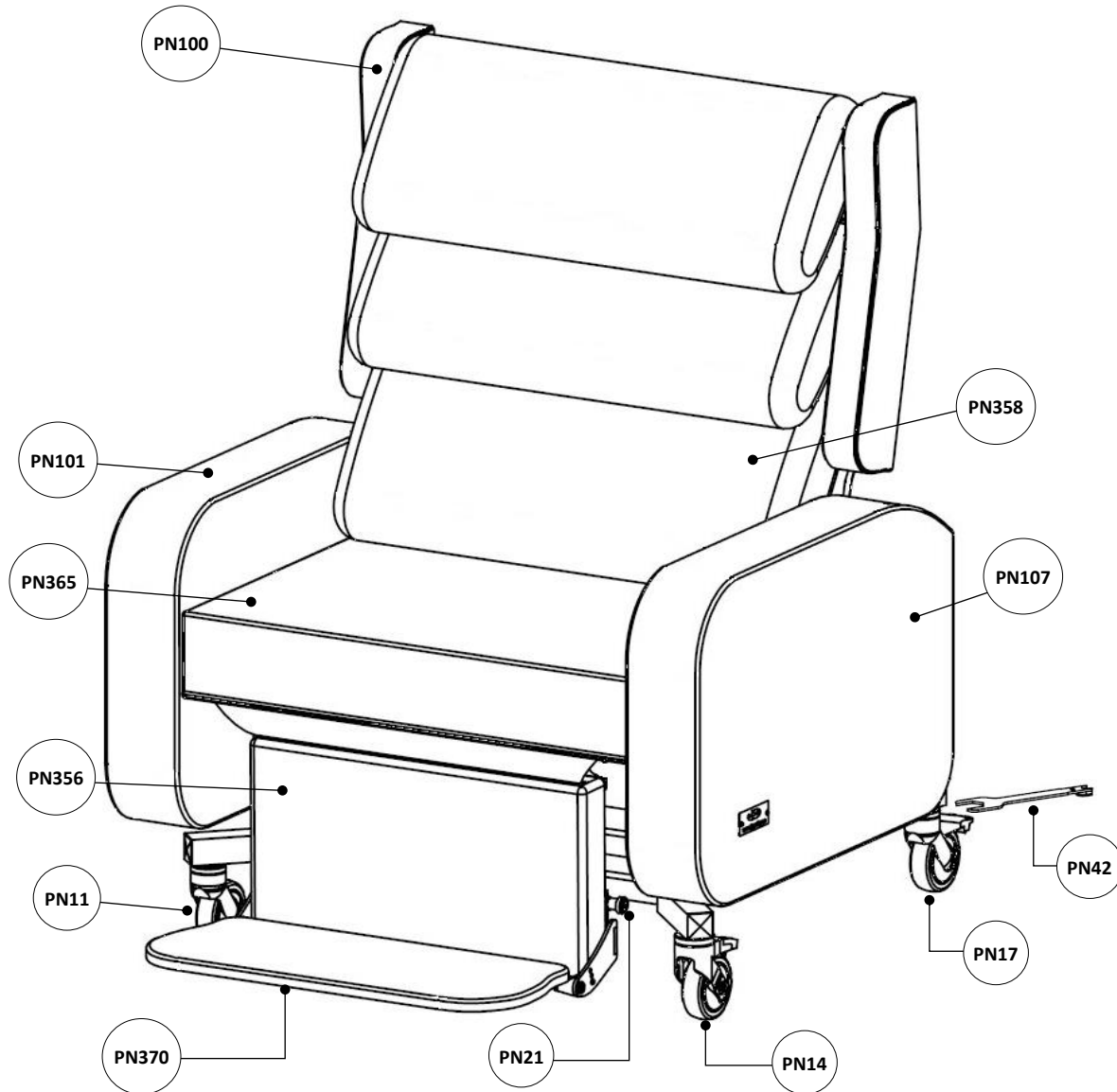




# Seating Matters

## Bariatric Sorrento Parts List

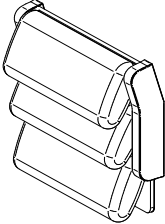
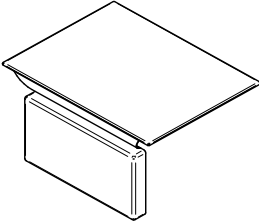
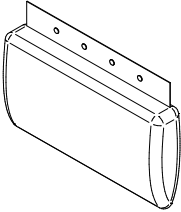
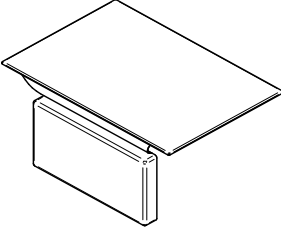
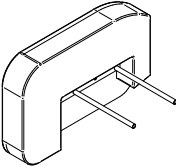
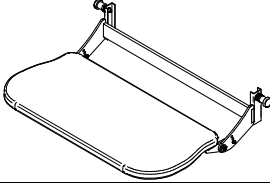
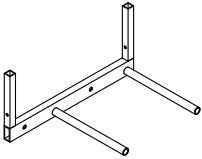
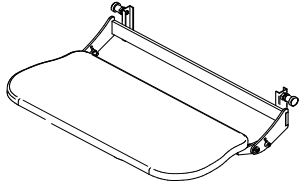
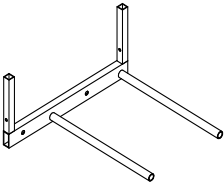
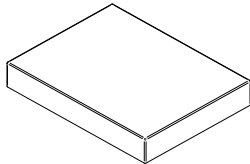


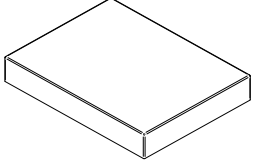

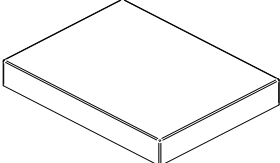

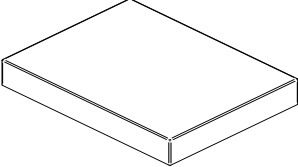

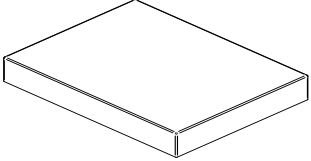

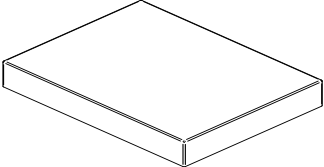

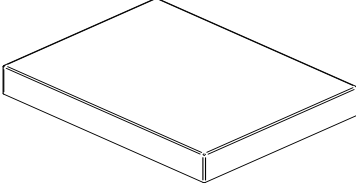



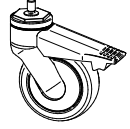
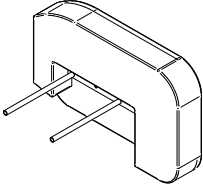

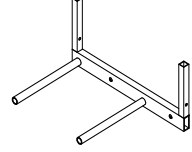
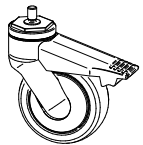
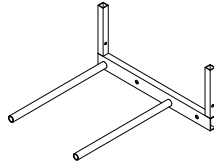
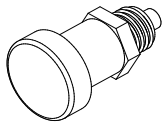
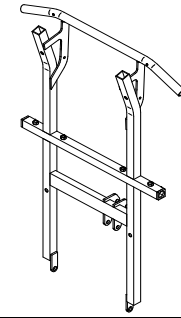
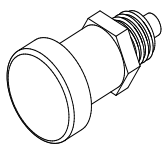
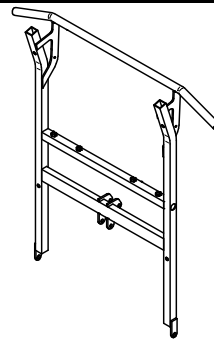
# Seating Matters

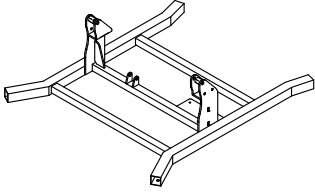
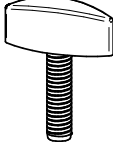
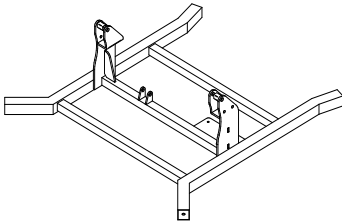
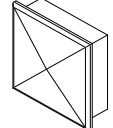
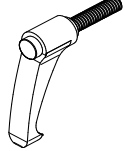
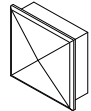

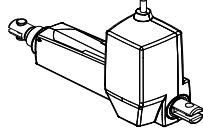
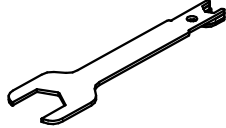
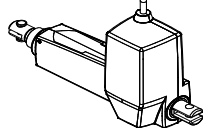
## Bariatric Sorrento Parts List

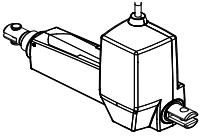
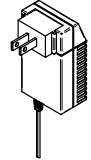
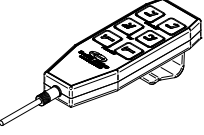
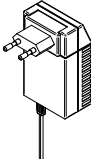
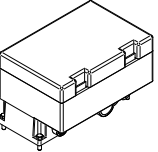
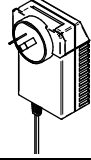
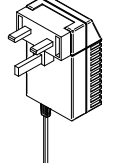
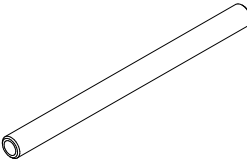
Please refer to drawing views for location of parts listed below.

Part Number	DESCRIPTION	IMAGE	Part Number	DESCRIPTION	IMAGE
PN100	Waterfall Back (Seat Width Required)		PN105	Baseboard and Calfpad (Bariatric Small, 60mm Narrower Calfpad, Seat Width Required)	
PN358	Bottom Waterfall Pillow		PN356	Baseboard and Calfpad (Bariatric Medium, Seat Width Required)	
PN101	Right Arm (Complete with steel bracket)		PN357	Footplate (Bariatric Small, 60mm Narrower Calfpad)	
PN102	Right Arm Steel Bracket (Seat Width 550-750)		PN370	Footplate (Bariatric Medium)	
PN103	Longer Right Arm Steel Bracket (Seat Width 750+)		PN104	Seat Cushion – 550mm Wide	

Part Number	DESCRIPTION	IMAGE	Part Number	DESCRIPTION	IMAGE
PN363	Seat Cushion – 600mm Wide		PN11	100mm Non-Braking Castor	
PN364	Seat Cushion – 650mm Wide		PN12	75mm Non-Braking Castor	
PN365	Seat Cushion – 700mm Wide		PN13	125mm Non-Braking Castor	
PN366	Seat Cushion – 750mm Wide		PN14	100mm Directional Lock Castor	
PN367	Seat Cushion – 800mm Wide		PN15	75mm Directional Lock Castor	
PN368	Seat Cushion – 850mm Wide		PN16	125mm Directional Lock Castor	

Part Number	DESCRIPTION	IMAGE	Part Number	DESCRIPTION	IMAGE
PN17	100mm Braking Castor		PN107	Left Arm (Complete with steel bracket)	
PN18	75mm Braking Castor		PN108	Left Arm Steel Bracket <i>(Seat Width 550-750)</i>	
PN19	125mm Braking Castor		PN109	Longer Left Arm Steel Bracket <i>(Seat Width 750+)</i>	
PN21	M12 Indexing Plunger (Non-Locking)		PN110	Back Frame - Small	
PN22	M12 Indexing Plunger (Locking)		PN361	Back Frame - Medium	

Part Number	DESCRIPTION	IMAGE	Part Number	DESCRIPTION	IMAGE
PN362	Base Frame - Small		PN29	M8 x 25 Wing Knob	
PN111	Medium Base Frame		PN359	Box Cap (40mm x 40mm)	
PN23	M8 x 35 Adjustable Clamping Handle		PN385	Box Cap (25mm x 25mm)	
PN41	Handle Grip		PN369	Elevating Leg Rest Actuator - Bariatric (100mm Stroke)	
PN42	Dual Spanner		PN33	Back Recline Actuator (30mm Stroke)	

Part Number	DESCRIPTION	IMAGE	Part Number	DESCRIPTION	IMAGE
PN360	<i>Tilt Actuator (80mm Stroke)</i>		PN51	<i>Charger (North America)</i>	
PN36	<i>HB 43 Handset (3 Channel)</i>		PN371	<i>Charger (Europe)</i>	
PN403	<i>CB8 Control Box (555)</i>		PN372	<i>Charger (Australia)</i>	
PN37	<i>Charger (UK)</i>		PN409	<i>Lateral Bar Padding (Single)</i>	

**Please provide chair serial number when ordering replacement parts to ensure correct specification.**