



Medical Suction Equipment

PRODUCT ID: 50004 & 50006

These devices comply with EU EMC standard EN60601-1-2



Medical Suction Equipment

MODEL: 50004 & 50006

INSTRUCTIONS

INDEX

1. Introduction	-----	page 2
2. Product Structure	-----	page 3
3. Important Safeguards	-----	page 4
4. Device Specifications	-----	page 5
5. Operation Instruction	-----	page 7
6. Cleaning and Sterilization	-----	page 7
7. Replaceable Parts and Accessories	-----	page 8
8. Warranty	-----	page 9

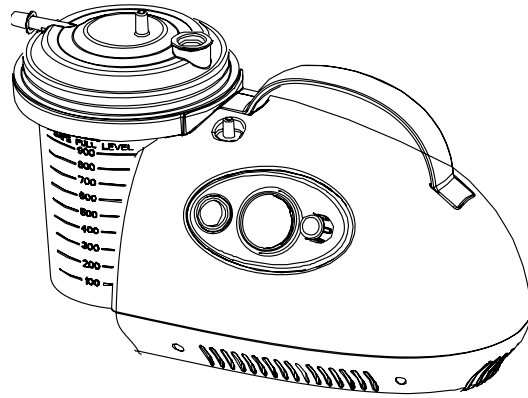
I. Introduction

50004 & 50006 Medical Suction Equipment uses a motor to drive an air pump to generate negative pressure. With the negative pressure, the device efficiently suctions the patient's secretions.

II. Product Structure

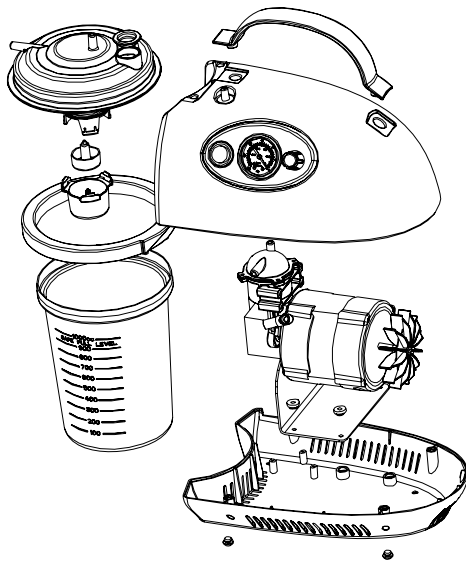
A. Visual appearance

50004 & 50006

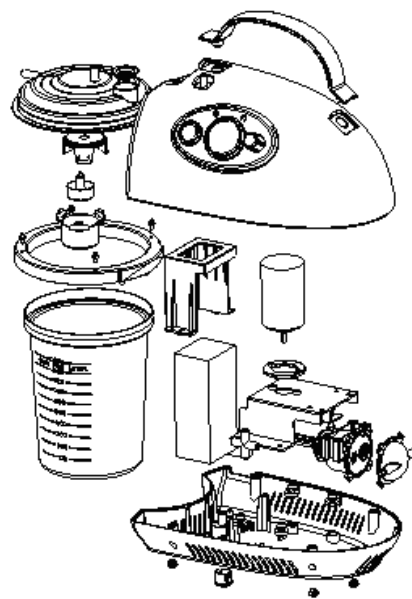


B. Assemblies

50004



50006



III. Important Safeguards

Note: Read all instructions carefully before use.

The following basic precautions are needed when using an electrical product:

Caution: Failure to read and observe all precautions could result in personal injury or equipment damage.

Warning: No modification of this equipment is allowed.

The power cord plug is a disconnect device.

Product Cautions:

1. To avoid electrical shock, keep the unit away from water; do not immerse the power cord or the unit in any liquid; do not use while bathing; do not reach for a unit that has fallen into water – immediately unplug the unit.
2. Never operate the unit if it has any damaged parts (including power cord), and/or if it has been dropped or submersed in water. Promptly send it to a service center for examination and repair.
3. The unit should not be used where flammable gas, oxygen or aerosol spray products are being used.
4. Disconnect the unit from the electrical outlet before cleaning, filling and after each use.
5. Do not use other attachments unless recommended by manufacturer.

Operating Cautions:

1. Connect this product to an appropriate voltage outlet for your model.
2. Do not run this product unattended.
3. Never operate if this unit has a damaged cord or plug, and/or if it has been dropped into water.
4. If any abnormality occurs, discontinue it immediately until the unit has been examined and repaired.
5. Always unplug the product immediately after use.

Storage Cautions:

1. Do not store the unit under direct sunlight, extreme temperature or humidity.

2. Keep the unit out of reach of children.
3. Always keep the unit unplugged while not in use.

Cleaning Cautions:

1. Do not immerse the unit in water. It may damage the unit.
 2. Disconnect the unit from the electrical outlet before cleaning.
- Clean all necessary parts after each use as instructed in this guidebook.

IV. Device Specifications:

No.	Item	50004	50006
1	Rated Power input	120V/60Hz AC	DC 12V
2	Power	70 Watt Max	48VA Max
3	Max Negative Pressure	550mmHg	530mmHg
4	Negative Pressure Adjust Range	150 - 550mmHg	150 - 530mmHg
5	Max Suction Speed	28 Lpm	25 Lpm
6	Collection bottle Capacity	1000cc	
7	Dimensions	364 x 175 x 213mm	
8	Weight	5.7 lbs.	5.3 lbs.
9	Life of Use	≥ 2 years	
10	Operating Environment	50°F to 104°F (10°C to 40°C), 30% to 75% HR	
11	Storage Environment	-4°F to 140°F (-20°C to 60°C), 10% to 95% HR	
12	Noise	≤ 65 dBA at 1 meter	

Using the battery (50006 ONLY):

Your 50006 suction device can operate on the built-in rechargeable Li-ion battery when AC power is not available.

LED indication:

AC adapter	ON/OFF button	Battery power	Low Battery LED	Charging LED
Unplugged	ON	Sufficient	Green	Off
	ON	Low Battery	Red	Off
	OFF	/	Off	Off
Plugged In	ON	/	Green	Off
	OFF	Full	Off	Green
	OFF	Low Battery	Off	Red

Note: The LED will never indicate lower battery if the device is operating under AC power.

Charging Time

1st Time use: about 8 hours

Thereafter: less than 8 hours

Unplug the suction device when low battery LED turns GREEN.

Note: The battery self-discharge ability is very slow. It is suggested to operate the device on battery if you need to deplete the battery's power.

Battery Specification:

Battery Type	Rechargeable Li-ion Battery
Battery Charge Time	Less than 8 Hours
Battery Life (Charge Cycles)	≥500 Cycles
Battery Run Time	50 min

V. Operation Instruction

A. Set the air filter:

1. Open the accessories case and take out the two silicone tubes and the filter cover. Connect one end of the silicone tube to the front air input port and the other end to the filter cover.
2. Connect the filter cover to the collection bottle with the silicone tube.
3. Inspect suction tubing and collection bottle for leaks, cracks, etc. before each use.



B. Turn on the device:

1. Plug in the power cord.
2. Turn on the power switch. The device starts to work.
3. Connect the suction tube to the device, open the suction valve, make sure the suction air way is unobstructed.
4. Adjust the negative pressure through the adjusting knob; choose the appropriate negative pressure to perform the treatment (please refer to your physician).

For DC model, if the device is connected with the Adaptor, the device will not use the energy in the battery set.

C. Turn off the device:

1. After the treatment is over, turn off the power switch.
For DC model, when the power switch is turned off, the device starts battery charging. The time of the battery charge is less than eight hours.
2. The working cycle of the device is: 30 minutes on & 30 minutes off.

Cleaning and Sterilization

1. It is recommended that the tubes, collection bottle be thoroughly cleaned with hot water after each use and be cleaned with a mild detergent after the last treatment of the day. If your physician or respiratory therapist specifies a different cleaning procedure, follow their instructions.
2. The filter can't be cleaned.
3. If the filter gets wet, or becomes contaminated or clogged, it must be replaced.

Rinsing (after each treatment)

1. Disconnect the tubes, collection bottle and the filter cover.
Rinse the tubes, collection bottle with water.
2. Dry them with clean soft towel or let it air dry.
3. Reassemble the product when completely dry and put these parts in a dry sealed container.

Disinfections:

Please follow the following steps to disinfect your 50004/50006 unless otherwise specified by your physician. It is suggested that the unit is disinfected after each treatment.

1. Use one part white vinegar with three parts distilled water.
Make sure mixed solution is enough to submerge the tubes and collection bottle.
2. Complete Rinsing Steps 1-3.
3. Wash the tubes and collection bottle in a warm water and a mild detergent. Then wash them in a hot tap water.

4. Submerge these parts in the vinegar and water solution for thirty minutes.
5. Complete Rinsing Steps 2-3.

VI. Replaceable Parts and Accessories

- We provide with our devices:
 - AC Power Cord
 - AC-DC Adaptor
 - 12v DC Car Charger
 - If you want to replace any of them, make sure to:
 - Use FDA or UL approved AC power cord
 - Do not use any AC-DC Adaptor other than:
Model: UE48-120400SPA1
- For Replacement Parts, contact:
Roscoe Medical, Inc.
21973 Commerce Parkway
Strongsville, OH 44149
Tel: 800-376-7263
- Make sure to use FDA or CE proved suction tube with the diameters of 6.0mm x 9.0mm with 50004/50006 medical suction equipment.



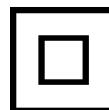
Consult accompanying documents



Type BF equipment



Disposal for Separate Collection



Device in protection class 2

2 YEAR WARRANTY

Your Roscoe brand product is warranted to be free of defects in materials and workmanship for two years.

This device was built to exacting standards and carefully inspected prior to shipment. Your Roscoe brand product is warranted to be free of defects in materials and workmanship. If within such warranty period, the product proves defective, the product will be repaired or replaced, at the option of Roscoe Medical.

This warranty does not cover device failure due to owner misuse or negligence, or normal wear and tear. The warranty does not extend to nondurable components, which are subject to normal wear and need periodic replacement.

This warranty shall not apply to serial numbered products if the serial number has been removed or defaced, or to defects or damages caused by unauthorized parts, attachments or repairs, negligence, accident, or any circumstance beyond Roscoe Medical's control, such as improper operation, maintenance or storage.

If you have any questions about your Roscoe product or this warranty, please contact an authorized Roscoe Dealer.