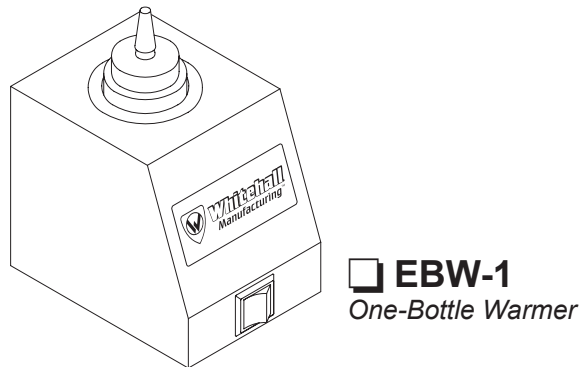
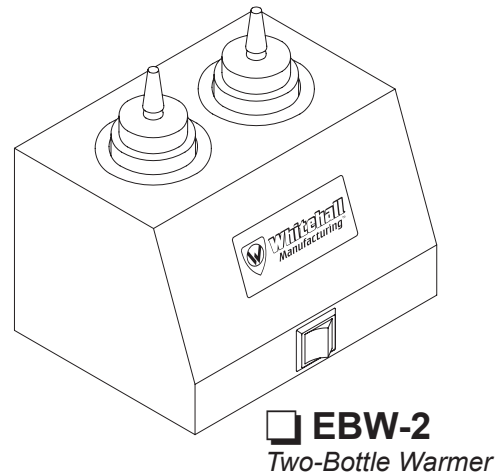
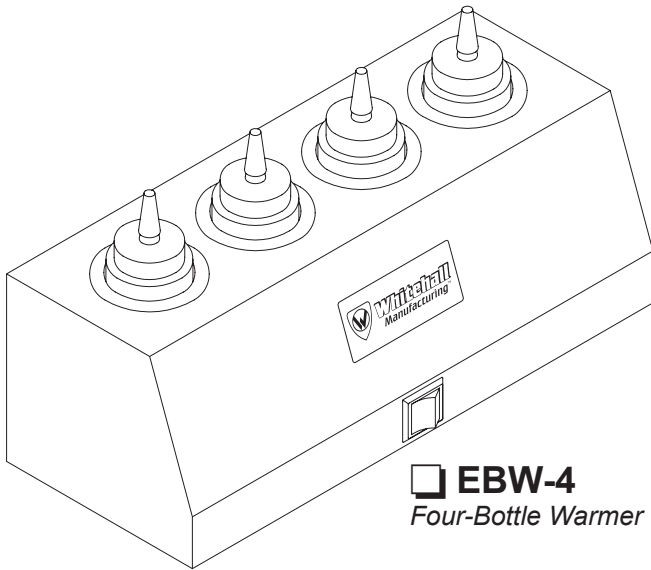


OPERATING & MAINTENANCE MANUAL FOR WHITEHALL ELECTRIC BOTTLE WARMERS



Whitehall
Manufacturing™

Whitehall Manufacturing is a Member of Acorn Engineering's Family of Companies.



WARNING



PLEASE READ
this entire booklet before
operating your new
electric bottle warmer.

- DO NOT pour any liquid directly into the warmer.
- DO NOT place additional pressure or weight on a wall mounted unit. The unit may fall.
- DO NOT use unit near explosive gases.
Fires may occur.
- Remove ALL packaging before using.
- Plug into a Ground Fault Circuit Interrupter (GFCI), a receptacle to protect you if water and electricity mix. Properly ground the Bottle Warmer. Failure may increase the risk of electric shock.
- DO NOT leave empty dispenser bottle(s) in the unit while it is ON.

Please contact us, should you have any questions.



Whitehall
Manufacturing[™]



TABLE OF CONTENTS

WARNING - Safety Instructions	Page 2
TABLE OF CONTENTS.....	Page 3
SPECIFICATIONS.....	Page 4
SETTING UP.....	Page 5
Items included	Page 5
Unpacking.....	Page 5
Device Placement.....	Page 5
Wall Mounting	Page 5
"ON INITIAL USE" INSTRUCTIONS	Page 6
NORMAL USE OF THE BOTTLE WARMER	Page 6
CLEANING	Page 7 & 8
Things You'll Need	Page 7
Routine Cleaning.....	Page 7
Special Cleaning (coal coated surface).....	Page 8
Special Cleaning (stains, spots, scratches).....	Page 8
MAINTENANCE	Page 9
STORAGE	Page 9
TROUBLESHOOTING	Page 9
TECHNICAL INFORMATION	Page 10 & 11
Parts List.....	Page 10
Electrical Information	Page 10
Parts Drawing	Page 11
WARRANTY	Back Cover



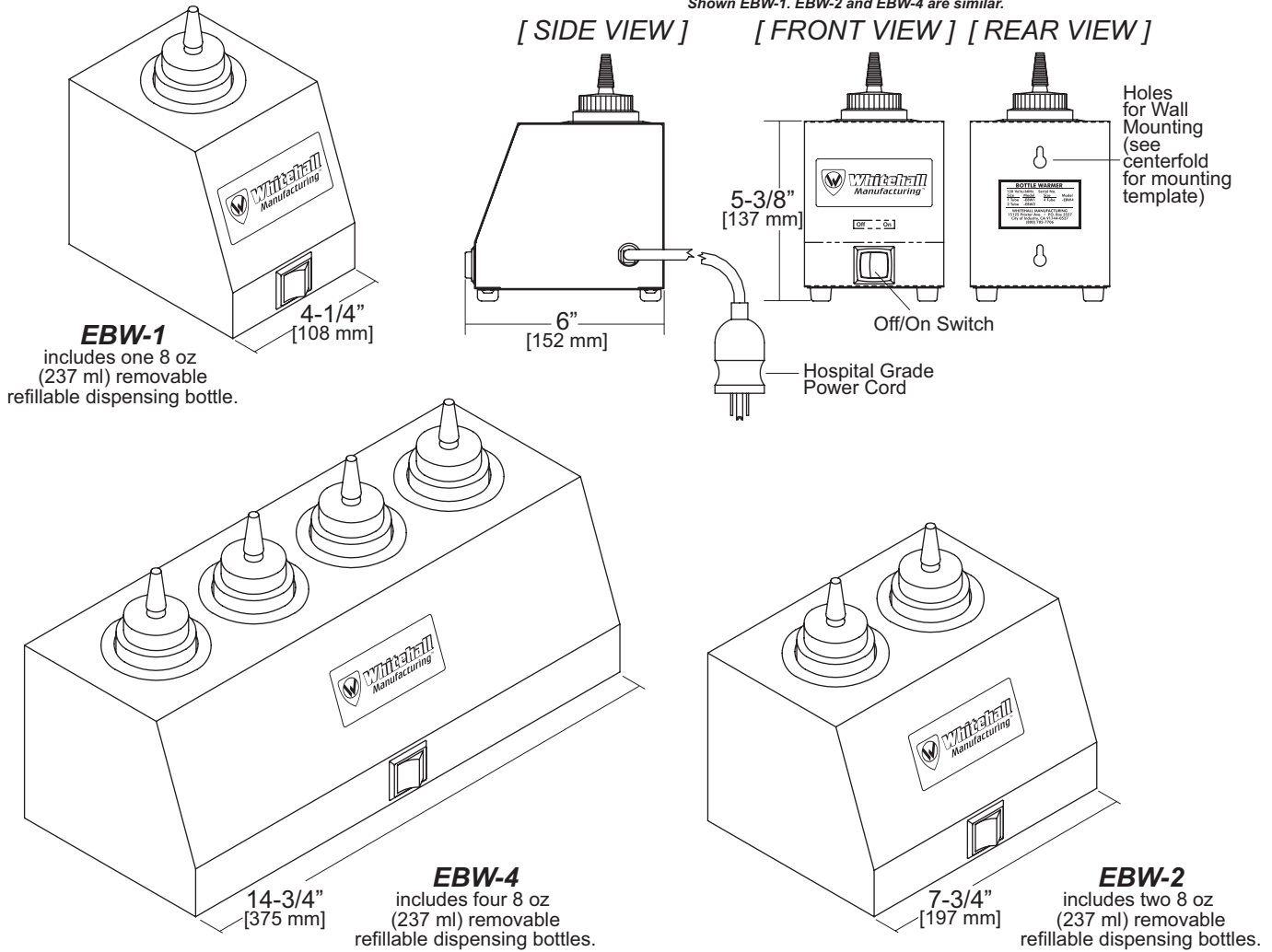
SPECIFICATIONS

Your Bottle Warmer is a simple and trouble-free unit to operate. The housing, cylinders and bottom are all made from type 304 stainless steel. The control is an ON/OFF switch on the front of the unit. The internal thermostat/temperature sensor is non-adjustable and preset to a normal operating temperature. The unit has removable plastic bottles for therapeutic lotions and gels.

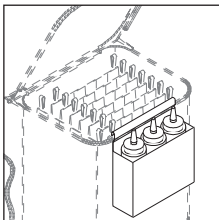
ELECTRICAL

Model	Volts AC	Hertz	Amps
EBW-1	120	60	0.25
EBW-2	120	60	0.5
EBW-4	120	60	1.0

Shown EBW-1. EBW-2 and EBW-4 are similar.



Also available from Whitehall!



SBW Side Bottle Warmer for Thermalator Moist Heat Therapy Units

Heats up to three 8-ounce (237 ml) bottles with residual heat from the Thermalator Unit. Suggested on Models T-4-S and T-6-S **only**. Dimensions: 7" x 2-1/4" x 7-3/4" (178 mm x 57 mm x 197mm)





SETTING UP

1. Your new Bottle Warmer includes the following:

Model EBW-1

(1) One-bottle warmer unit
(1) 8-ounce (237 ml) plastic dispenser bottle

Model EBW-2

(1) Two-bottle warmer unit
(2) 8-ounce (237 ml) plastic dispenser bottles

Model EBW-4

(1) Four-bottle warmer unit
(4) 8-ounce (237 ml) plastic dispenser bottles

Additionally each model contains the following:

- Wall mounting hardware plackage (See instructions below)
- Warranty registration card
- (This) Operating & Maintenance Manual

If you are missing anything, please call the phone number listed below.

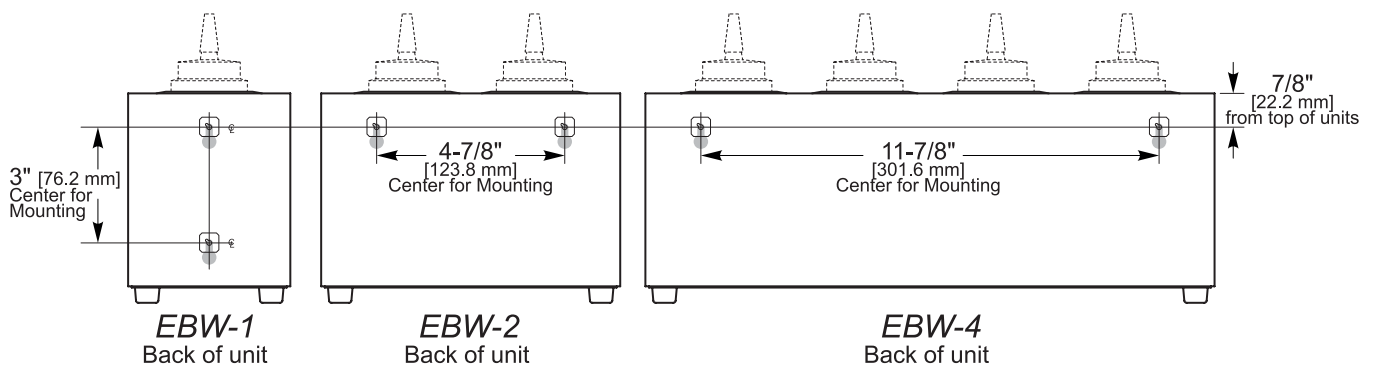
2. Unpacking your Bottle Warmer

Remove all shipping material. Remove the dispensing bottles. Clean the unit and dispensing bottles thoroughly before using.

3. Device Placement

Place the Bottle Warmer at a convenient level, such as on a table or a scratch-resistant counter-top. Before moving the Bottle Warmer, unplug and cool the unit. The unit may also be wall mounted using the instructions below.

GUIDE FOR WALL MOUNTING



Step 1 - Collect the the tools you will need: hammer, Phillips screwdriver, tape, ruler, level

Step 2 - Using the hammer, pound the anchors straight into the wall, using the guide above.

Make sure the anchors match these center to center dimensions:

For Model EBW-1

3" Vertical

For Model EBW-2

4-7/8" Horizontal

For Model EBW-3

11-7/8" Horizontal

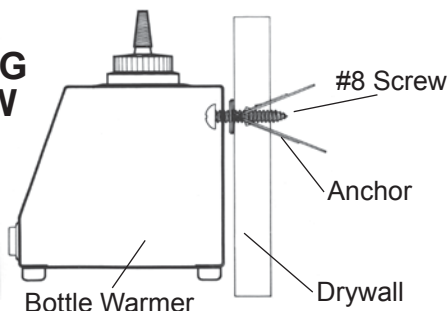
Step 3 - Using the Phillips screwdriver, turn the #8 screw clockwise into the anchor until it stops.

Turn the screw one full turn counter-clockwise.

Step 4 - Align the slotted holes in the back of the Bottle Warmer with the screws in the wall.

Slide the Bottle Warmer down onto the screw until it stops. See the "ON INITIAL USE" Instructions on page 6.

WALL MOUNTING SIDE VIEW



CAUTION

The anchors and screws support the Bottle Warmer and full bottles only. Putting additional weight on the unit may cause failure. This can damage the Bottle Warmer and may result in injury.



ON INITIAL USE (OR WHEN THE UNIT HAS BEEN MOVED)

Before the FIRST use, check the following:

- 1 - The Bottle Warmer should be level.
- 2 - The Bottle should be plugged directly into a properly grounded GFCI receptacle. Do not use an extension cord. Under sized extension cords can overheat.
- 3 - The Bottle Warmer should be in good condition.
- 4 - The dispensing bottles should be filled to within 1/2" of the top. (Do not leave empty bottles in the unit while the unit is left on.)

Your Bottle Warmer is now ready to use. If you have any questions about SETTING UP your unit, please call the phone number listed below.

NORMAL USE OF THE BOTTLE WARMER

1 Remove the dispensing bottle from the Bottle Warmer.

2 Apply the gel or lotion in the prescribed method.

3 Return the dispensing bottle to the Bottle Warmer for reheating.

4 For multiple bottle units, use dispensing bottles starting on left and working towards right. Do not leave empty bottles in the unit when it is on.



CAUTION

- DO NOT apply the gels or lotions over cuts, lacerations or abrasions
- DO NOT use additives, disinfectants or other chemicals in the dispensing bottles.
- Use extra care and judgement when using the Bottle Warmer with infants and the elderly.
- Use extra care and judgment when using the gels or lotions on thin skin or "bony" areas.
- During treatment, check the condition of the patient and the treated area often.
- DO NOT leave empty dispenser bottles(s) in the unit while it is ON.



CLEANING

1 – You will need:

- Sponge, cloth or non-abrasive cleaning pad.
- Stainless steel cleaner, such as Sheila Shine®, or 3M Stainless Steel Cleaner & Polish. **
- Synthetic abrasive cleaning pad, such as Scotch-Brite. **
- Soap, ammonia, detergent or mild disinfectant.
- Household wax (powdercoated colored units only).
- Mild acid such as white vinegar.**

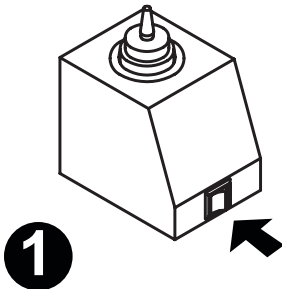
** Use ONLY on stainless steel surfaces.



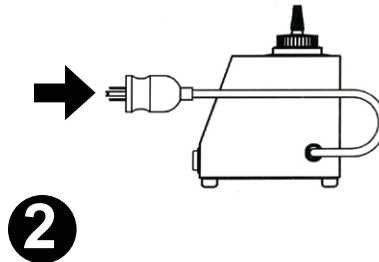
CAUTION

- DO NOT use steel wool – it will rust and embed in the stainless steel surface.
- DO NOT use bleach, chlorinated solvents or other chemicals – they will leave a residue on your unit and will shorten the life of the dispensing bottles.

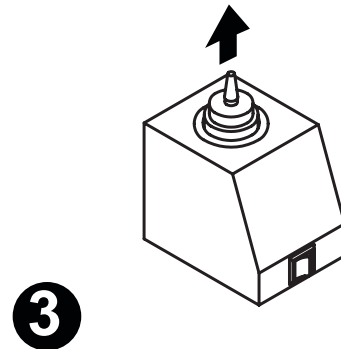
2-Routine Cleaning (every 2 weeks or as needed).



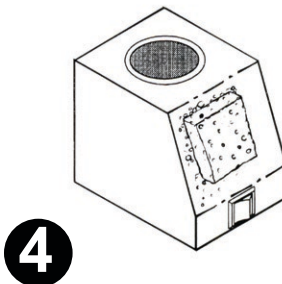
1
Facing the front of the unit, find the red power switch in the lower, center of the unit. Turn the power to the OFF position. The light will go out.



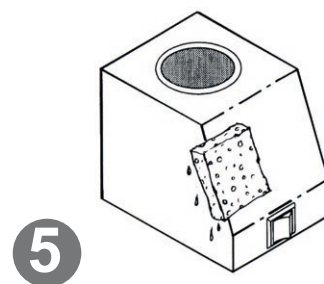
2
Unplug the unit.



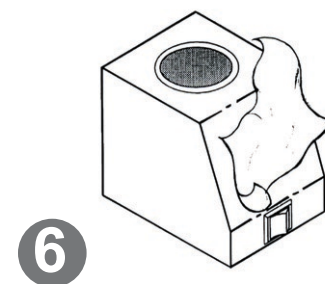
3
Let the gel cool to room temperature. Remove the dispensing bottle(s).



4
Wash* inside and outside with a sponge, cloth or cleaning pad using a mild soap solution. For “hard water” spots and scale, scrub the area** using a strong solution of vinegar and water. Let stand for 5 minutes.



5
Wipe* thoroughly with a clean damp cloth..

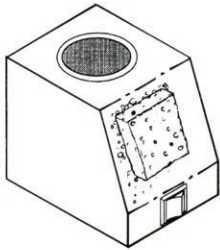


6
Dry* with a soft cloth to avoid water marks.

*Always rub in the direction of the polish lines.

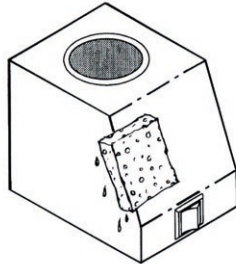


3-Special Cleaning (Color coated surfaces).



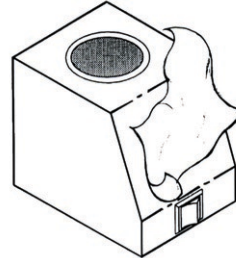
1

Follow steps 1-4 on page 7 (Do not use vinegar on color coated surfaces). Wash the outside with a sponge or cloth using a mild soap solution. Do not use abrasive compounds, cleanser or pads. Verify the resistance to chemicals and solvents before using.



2

Wipe thoroughly with a clean damp cloth.



3

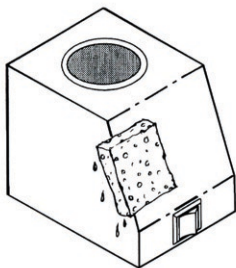
Dry with a soft cloth to avoid water marks.



4

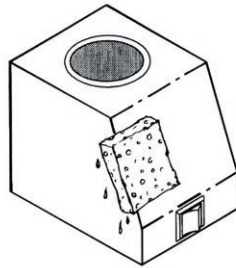
To maintain and restore gloss, use a household wax.

4-Special Cleaning (stains, spots and scratches-stainless steel surfaces only).



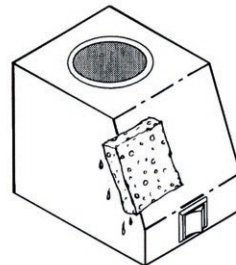
1

Follow steps 1-4 on page 7. Apply the stainless steel cleaner to a damp cloth, sponge, or synthetic cleaning pad. Follow* manufacturer's instructions for using cleaner.



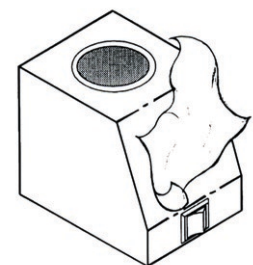
2

Wash* inside and outside with a sponge, cloth or cleaning pad using a mild soap solution.



3

Wipe* thoroughly with a clean damp cloth.



4

Dry* with a soft cloth to avoid water marks.

*Always rub in the direction of the polish lines.



MAINTENANCE

The Bottle Warmer design is nearly maintenance-free. It should, under most conditions, give many years of reliable service. The following maintenance should be maintained.:

1. **Routine Maintenance (as needed)** Follow steps 1-6 on page 7 for Routine Cleaning. Always keep the dispensing bottles full. Refill the bottles as needed. (Do not leave empty dispenser bottle(s) in the unit while it is on.)
2. **Monthly Maintenance:** Follow steps 1-4 on page 8 for cleaning stains, spots and scratches.
3. **Yearly Maintenance** - Have a professional electrician thoroughly check the following:
 - a. Test for leakage current, dielectric strength, receptacle polarity and ground.
If you need test details, call the phone number listed below.
 - b. Check the power cord and plug. They should be free of cuts, abrasion and other damage.
Replace the power cord assembly if it is damaged. Use only factory authorized replacement parts.
 - c. Remove the cover and check all electrical components and connections.
Replace any parts that are in questionable condition. Use only factory authorized replacement parts.

STORAGE

STORING THE BOTTLE WARMER

- Follow steps 1-6 on page 7 for Routine Cleaning.
- Place the Bottle Warmer upright in a dry area away from any chemicals.

TROUBLESHOOTING

PROBLEM	CAUSE	SOLUTIONS
Gel doesn't get warm, even though unit is plugged in and switch is ON	Circuit breaker is off.	Turn on the circuit breaker.
	Thermostat is not working.	Replace the thermostat
	Thermal fuse has been burned out.	Replace the thermal fuse.
	The ON/OFF switch is broken	Replace the switch
Rust in unit.	Contact with ferrous metal.	Remove the ferrous metal item from the unit-usually a staple, paper clip, safety pin, etc. Clean thoroughly.



TECHNICAL INFORMATION

Replacement Parts

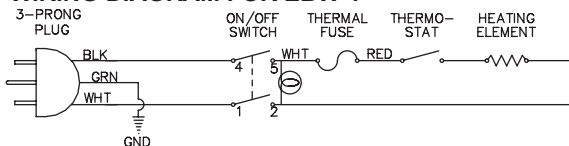
Please refer to page 11. The drawing corresponds to the list below.

ITEM	PART NO.	DESCRIPTION	EBW-1	EBW-2	EBW-3
1	0302-004-000	#10-32 stainless steel hex nut	X	X	X
2	0316-020-000	#10-32 tinnerman nut	X	X	X
3	0112-002-000	#10-32 x 1/2" stainless steel screw	X	X	X
4	0331-003-000	#8 stainless steel lockwasher	X	X	X
5	0302-003-000	#8-32 stainless steel hex nut	X	X	X
6	5805-510-001	8 oz. dispensing bottle with cap	X	X	X
7	5805-104-199	Bottom cover	X		
8	5805-204-199	Bottom cover		X	
9	5805-404-199	Bottom cover			X
10	0352-008-000	Clamp	X	X	X
11	6505-030-001	Cord set hospital-grade with terminals	X	X	X
12	5805-106-003	Cylinder assembly-2 weld studs	X	X	X
13	5805-106-002	Cylinder assembly-5 weld studs	X	X	X
14	0709-201-001	Heating element-female quick disconnects	X	X	X
15	0709-201-002	Heating element-male & female quick disconnects	X	X	X
16	6505-510-000	On/Off switch (DPST w/ lamp)	X	X	X
17	0710-451-000	Snap action thermostat	X	X	X
18	6504-603-000	Stick-on foot	X	X	X
19	6505-520-000	Strain relief	X	X	X
20	0710-452-000	Thermal fuse	X	X	X
21	5805-120-001	Wall Mounting hardware package	X	X	X
22	0711-128-001	Wiring harness- Red, 4"	X	X	X
23	0711-102-001	Wiring harness- White, 6"	X	X	X

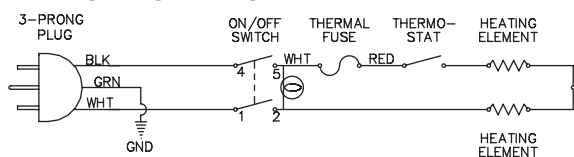
Electrical Information

The 8' power cord ends with a "Hospital Grade" plug, an Underwriters' Laboratories Inc. verification for abuse resistant wiring devices. The other electrical components include double pole, single throw (DPST) lighted ON/OFF switch, a one-shot thermal fuse, a snap action thermostat and fiberglass insulated rope heaters.

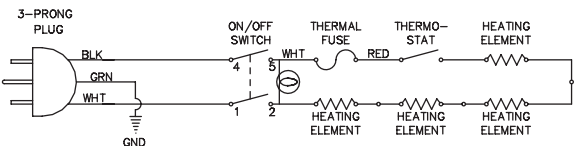
WIRING DIAGRAM FOR EBW-1



WIRING DIAGRAM FOR EBW-2

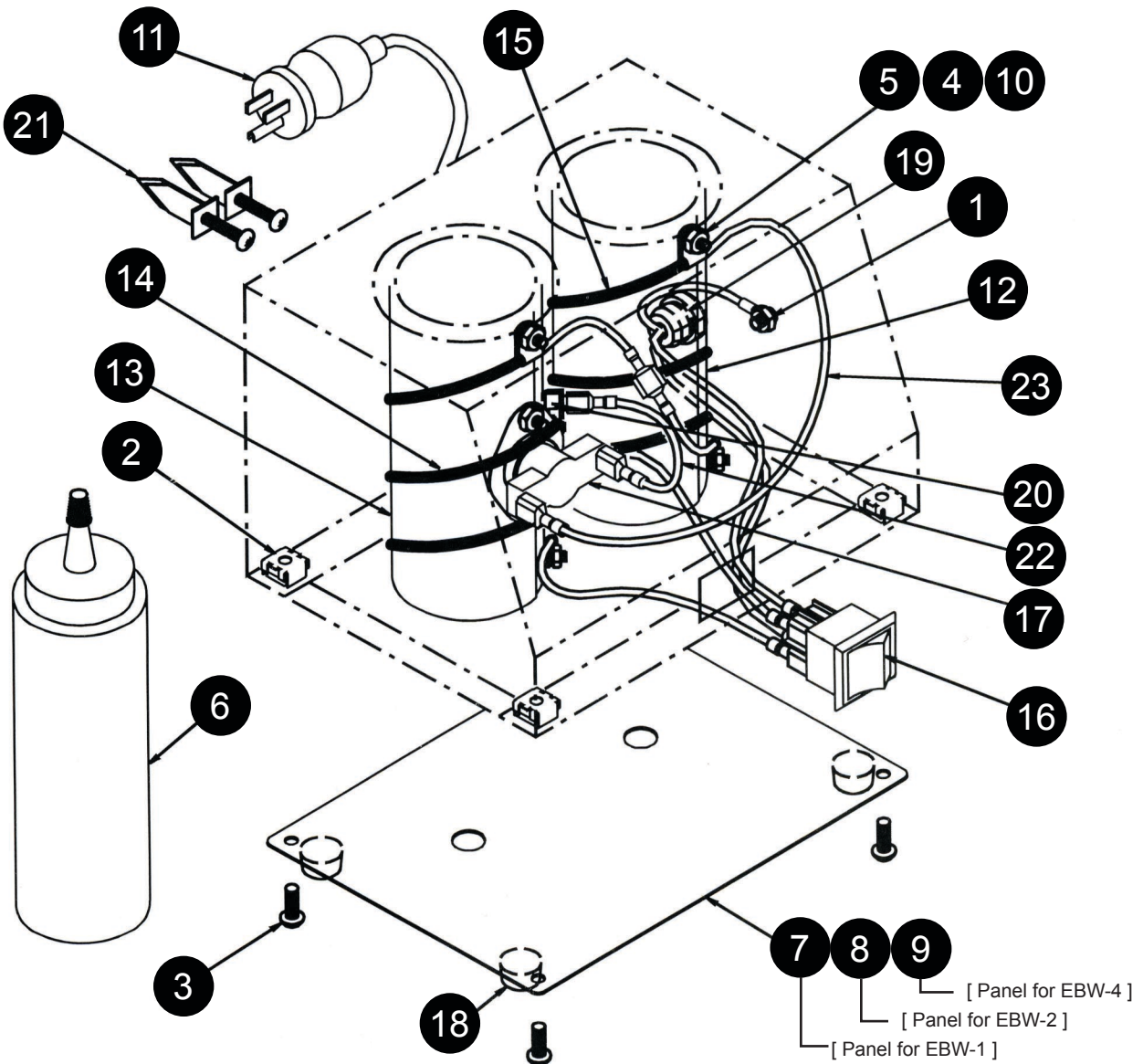


WIRING DIAGRAM FOR EBW-4





TECHNICAL INFORMATION



Please refer to page 10. The list corresponds to the drawing above.



MANUFACTURER'S WARRANTY

Whitehall Manufacturing Company warrants that its **products are free from defects in material or workmanship under normal use and service for a period of one year from date of shipment. Whitehall's liability under this warranty shall be discharged solely by replacement or repair of defective material, provided Whitehall is notified in writing within one year from date of shipment, F.O.B. Industry, California.**

This warranty does not cover installation or labor charges, and does not apply to materials which have been damaged by other causes such as mishandling or improper care or abnormal use. The repair or replacement of the defective materials shall constitute the sole remedy of the Buyer and the sole remedy of Whitehall under this warranty. Whitehall shall not be liable under any circumstances for incidental, consequential or direct charges caused by defects in the materials, or any delay in the repair or replacement thereof. This warranty is in lieu of all other warranties expressed or implied. Product maintenance instructions are issued with each fixture, and disregard or non-compliance with these instructions will constitute an abnormal use condition and void the warranty. Stainless steel must be protected on jobsites during construction and must be properly maintained after the water has been introduced into the fixture, or Whitehall's limited warranty is void. If you have any questions or require technical assistance, please call 800-743-8219.

NOTICE TO KEEP ORIGINAL PACKAGING - Regarding warranty claims: customer must retain original packaging for one year upon receipt of product. If packaging is discarded, it is the customer's responsibility to provide adequate packaging. Any shipping claims that are a direct result of customer-provided packaging materials will be handled by the shipper.