

CFPM400 & CFPM401 *Imaging Tables*

- Industry's Largest Adjustable Height Range 26" - 44"
- 56" Metal Free Imaging Space
- Cost Effective 4 Movement Table
- 500 lb Patient Weight Capacity



Integrated Headrest Top



Rectangular Top



TRENDELENBURG TILT



LONGITUDINAL TRAVEL



LATERAL TRAVEL
CFPM401

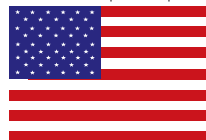


LATERAL TILT
CFPM400



ISO 13485:2003
FM 584901

made in the USA
with US & imported parts



OAKWORKS[®]
MEDICAL
Position for Success

CFPM400 #75204-T01 Integrated
#75205-T01 Rectangular

CFPM40I #75206-T01 Integrated
#75207-T01 Rectangular

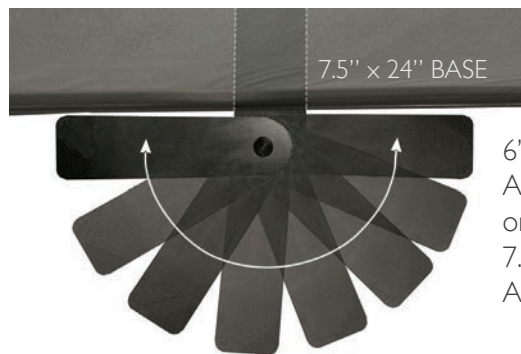
FEATURES	
Carbon Fiber Top 56" Metal free imaging space	Integrated Headrest 22" (56cm) wide x 84" (214cm) long Rectangular 24" (61cm) wide x 80" (203cm) long
CFPM400 MOVEMENTS	
Motion 1	Electric Height Range 26" - 44" (66-112cm)
Motion 2	Electric Trendelenburg tilt +15°/-12°
Motion 3	Electric Longitudinal travel 10" (25cm)
Motion 4	Electric Lateral tilt ±15°
CFPM40I MOVEMENTS	
Motion 1	Electric Height Range 26" - 44" (66-112cm)
Motion 2	Electric Trendelenburg tilt +15°/-11°
Motion 3	Electric Longitudinal travel 10" (25cm)
Motion 4	Electric Lateral travel ±4" (10cm)
Controls	Multi-function hand control
Weight Capacity	500 lb (227kg)
Product Weight	475 lb (216kg)
Included Features	1" (3cm) Radiolucent Comfort Foam™ table top pad, 4" (10cm) locking casters, Crescent face rest pad (included with integrated headrest top), patient safety straps (2)
Warranty	3 years parts, 2 years labor
Safety Listings	FDA listed, CE marked, cETLus approved, CB Certificate

OPTIONS <i>must be ordered with table.</i>		#
2" (5cm) Table Top Pad Upgrade	upgrade from the standard 1" (3cm) pad	73190-T01
5" (13cm) casters	upgrade from the standard 4" (10cm)	65427
Foot Control (CFPM400)	multi-functional	75077
Foot Control (CFPM40I)	multi-functional	75078
Non-USA electric system	please contact us for order details	73134
ACCESSORIES <i>order any time.</i>		#
Carbon Fiber Arm Board (6" wide)	180° Articulation	42585
Carbon Fiber Arm Board (7.5" wide)	180° Articulation	70337
Fluoro Extender	Polycarbonate	33975
Interventional Supine Pillow System	contoured pad and support wedge pad	69808-T01
Spine Positioning System II	8 piece system	70100-T01
Trail Clamp	6" (15cm) long rail	63336

SINGLE CARBON FIBER ARM BOARD

#42585-T01 - 6" wide #70337-T01 - 7.5" wide

Fully radiolucent with a 180° range of motion, the arm board requires no mounting or attachment hardware and simply slides under the table top pad. It can be used on any fluoro-scoped table and will support arms and feet in a variety of positioning configurations. Folds for storage.



6" x 23"
ARM BOARD
or
7.5" x 24"
ARM BOARD

SPINE POSITIONING SYSTEM II #70100-T01

- **Optimal Imaging**
High radiolucency and flexibility for ideal cervical, thoracic and lumbar visualization.
- **Enhanced Patient Comfort**
Minimize unwanted movement and reduce procedure time.
- **Stable Design**
Large contoured torso pad cradles patient & the strap securely fastens the system to the table.



6" ADJUSTABLE T-RAIL CLAMP #63336

The adjustable T-Rail clamp can be positioned along the grooved table top edge. Clamp is also removable.

- Accommodates a variety of T-rail attachable accessories
- 150 lb (68kg) weight rating



CONTACT:

*View our full line of
Medical products*



Scan this code with
your smart phone

#72703

