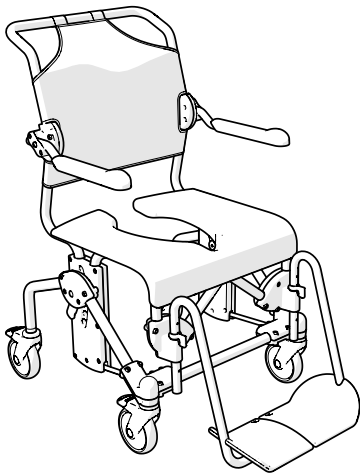


Etac Swift Mobil-2

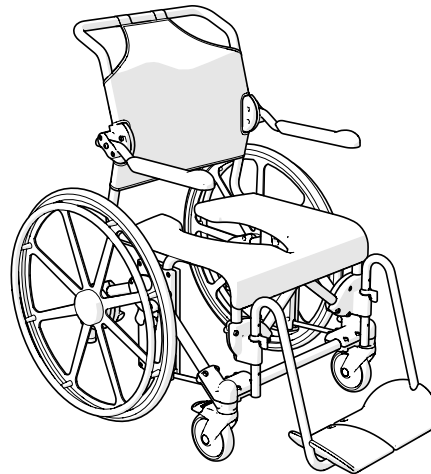
Manual

etac®

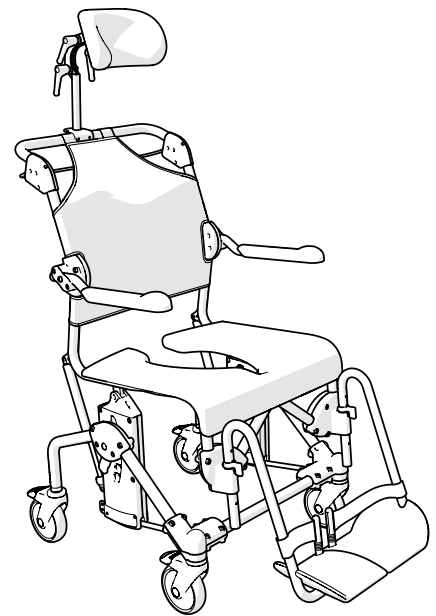
78691.13 23-01-18



Swift Mobil-2



Swift Mobil 24"-2

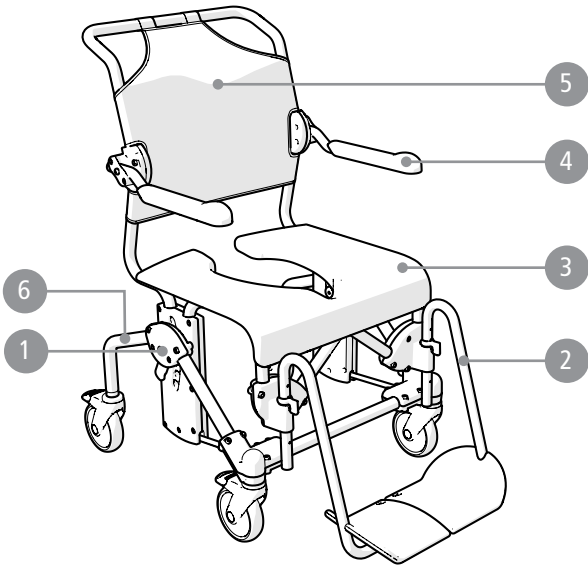


Swift Mobil Tilt-2

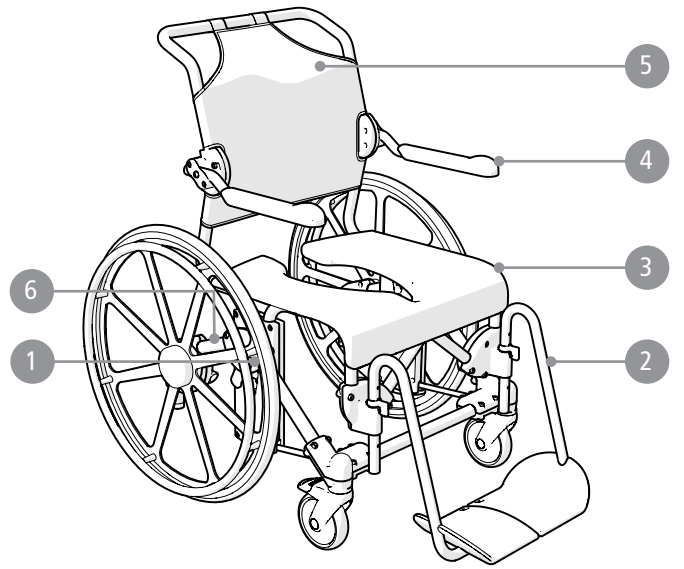
Swift Mobil-2 XL

Swift Mobil Tilt-2 XL

A

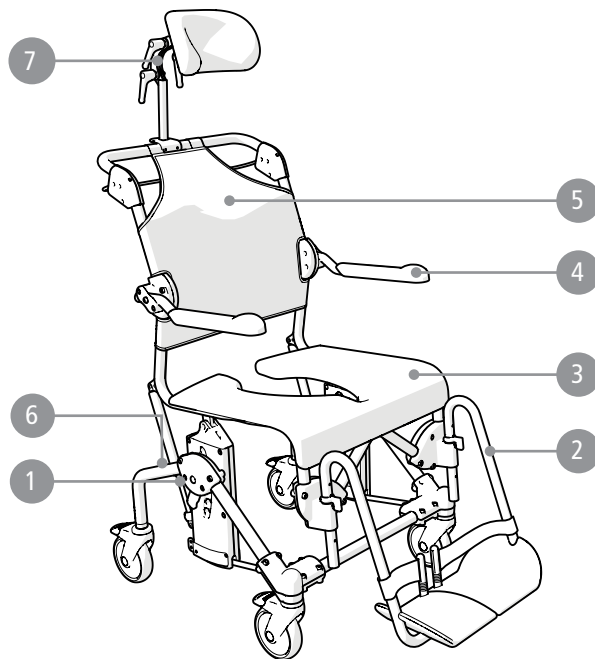


Swift Mobil-2



Swift Mobil 24''-2

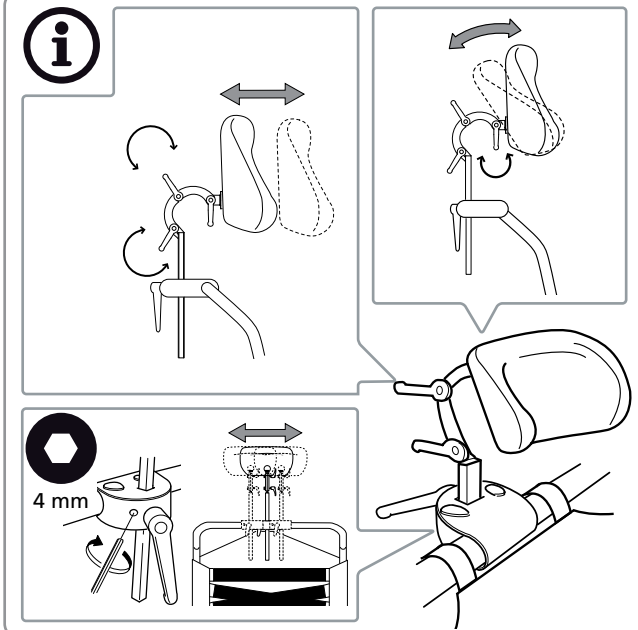
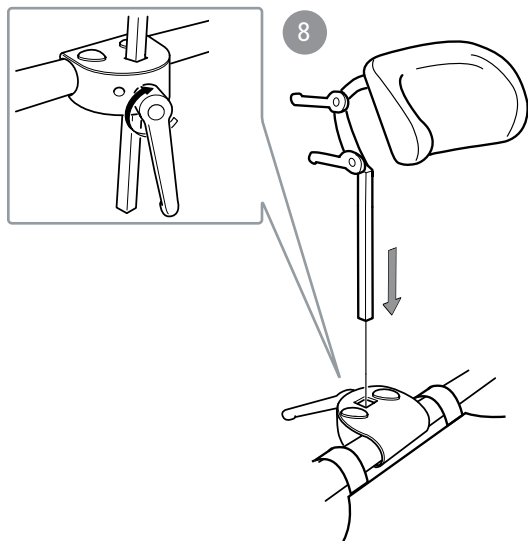
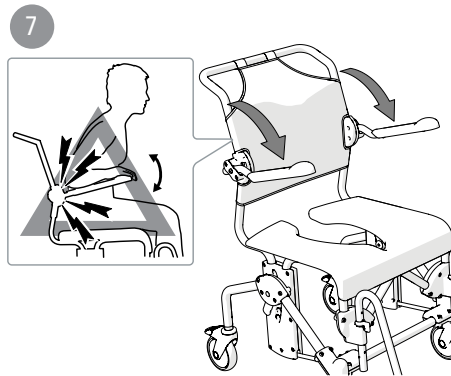
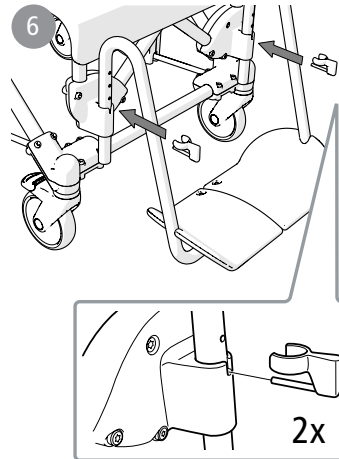
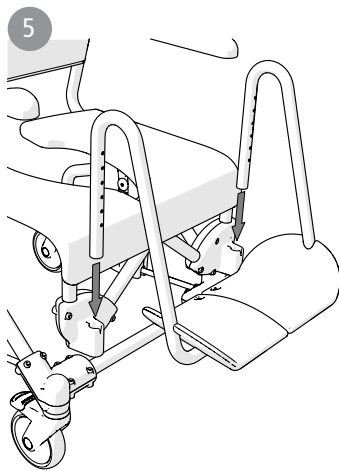
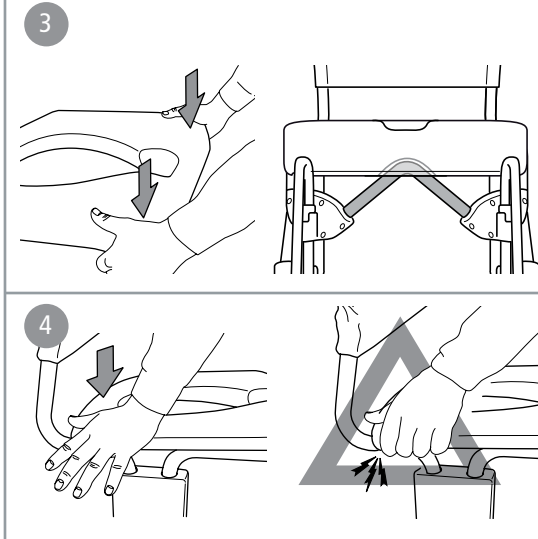
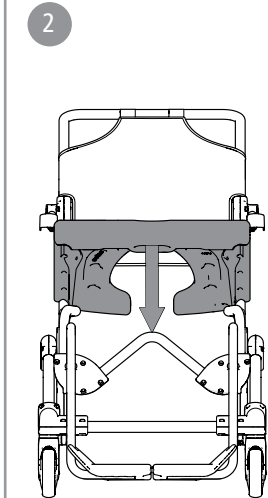
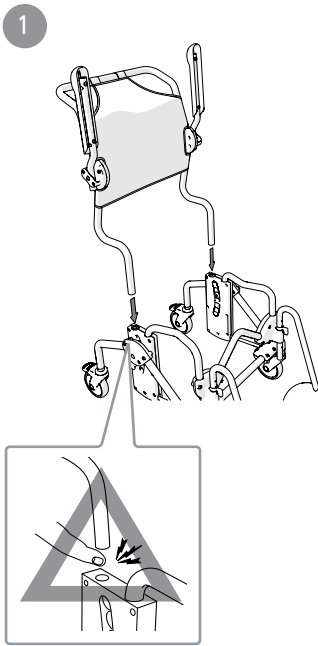
Swift Mobil-2 XL






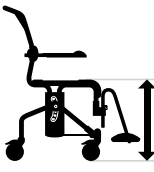
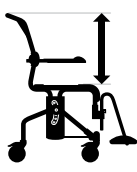



Swift Mobil Tilt-2


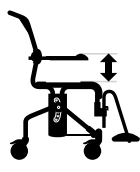

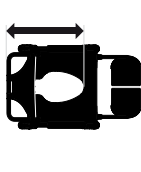
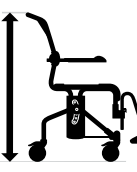
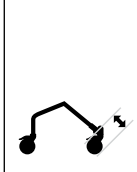


Swift Mobil Tilt-2 XL

B







Swift Mobil-2	Swift Mobil-2 XL	Swift Mobil 24"-2	Swift Mobil Tilt-2	Swift Mobil Tilt-2 XL
●	●	●	●	●
●	●	●	●	●
●	●	●	●	●
○	○	○	●	●

							
Swift Mobil-2	93 cm 36½"	57/58/64 cm 22½/22¾/25¼"	45 / 60 cm 17¾" / 23½"	50 cm 19¾"	46,5 cm 18¼"	34 / 46,5 cm 13½" / 18¼"	50 cm 19¾"
Swift Mobil-2 XL	93 cm 36½"	61/64/70 cm 24/25¼/27½"	45 / 60 cm 17¾" / 23½"	50 cm 19¾"	46,5 cm 18¼"	34 / 46,5 cm 13½" / 18¼"	50 cm 19¾"
Swift Mobil 24"-2	106 cm 41¾"	74 cm 29¼"	45 / 60 cm 17¾" / 23½"	50 c 19¾"	46,5 cm 18¼"	34 / 46,5 cm 13½" / 18¼"	50 cm 19¾"
Swift Mobil Tilt-2	102 cm 40¼"	57/58/64 cm 22½/22¾/25¼"	50 / 65 cm 19¾" / 25½"	55 cm 21¾"	46,5 cm 18¼"	34 / 46,5 cm 13½" / 18¼"	50 cm 19¾"
Swift Mobil Tilt-2 XL	102 cm 40¼"	61/64/70 cm 24/25¼/27½"	50 / 65 cm 19¾" / 25½"	55 cm 21¾"	46,5 cm 18¼"	34 / 46,5 cm 13½" / 18¼"	50 cm 19¾"

							
Swift Mobil-2	22/25/28 cm 8¾/9¾/11"	42/48/54 cm 16½/19/21¼"	54 cm (47 cm*) 21¼" (18½"*)	95-110 cm 37½"-43¼"	125 mm 5"	-	16,6 kg 37 lbs
Swift Mobil-2 XL	22/25/28 cm 8¾/9¾/11"	48/54/60 cm 19/ 21¼/23½"	54 cm 21¼"	95-110 cm 37½"-43¼"	125 mm 5"	-	17,3 kg 38 lbs
Swift Mobil 24"-2	22/25/28 cm 8¾/9¾/11"	42/48/54 cm 16½/19/21¼"	67 cm 26¼"	95-110 cm 37½"-43¼"	125 mm 5"	610 mm 24"	25,1 kg 55 lbs
Swift Mobil Tilt-2	22/25/28 cm 8¾/9¾/11"	42/48/54 cm 16½/19/21¼"	60 cm 23½"	100-115 cm 39¼"-45¼"	125 mm 5"	-	20,4 kg 45 lbs
Swift Mobil Tilt-2 XL	22/25/28 cm 8¾/9¾/11"	48/54/60 cm 19/ 21¼/23½"	60 cm 23½"	100-115 cm 39¼"-45¼"	125 mm 5"	-	21 kg 46 lbs

*Art no 8022 9489, 8022 9490, 8022 9491

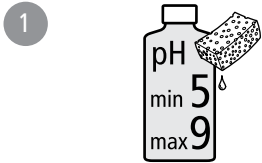
	 max kg	 max lbs			
Swift Mobil-2	160 kg	135 kg**	352 lbs	297 lbs**	ø 990 mm
Swift Mobil-2 XL	160 kg		352 lbs		ø 990 mm
Swift Mobil 24"-2	160 kg	135 kg**	352 lbs	297 lbs**	ø 1210 mm
Swift Mobil Tilt-2	160 kg	135 kg**	352 lbs	297 lbs**	ø 1040 mm
Swift Mobil Tilt-2 XL	160 kg		352 lbs		ø 1040 mm

** Art No 8022 9477, 8022 9478, 8022 9479, 8022 9486, 8022 9487, 8022 9488, 8022 9491, 8022 9494

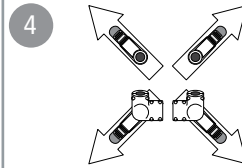
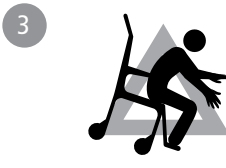
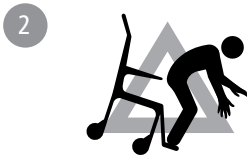
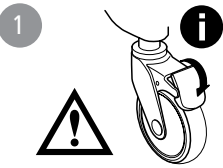


Fe	Fe-Cr-Ni	PA	PP
PP/TPV/PA/Fe	PP/TPR	PUR	PES

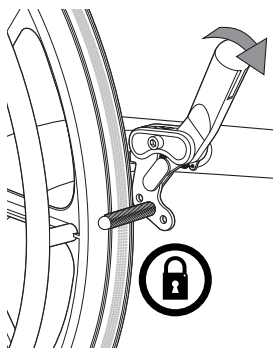
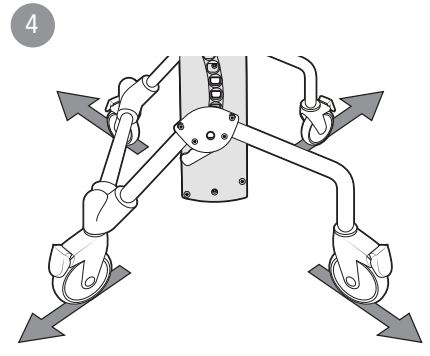
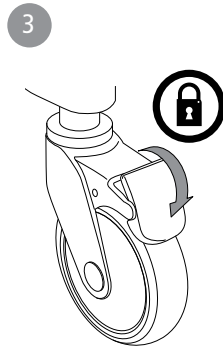
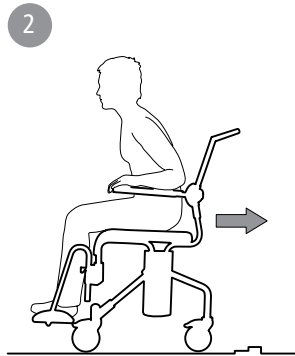
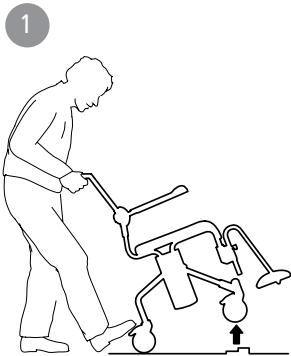
D



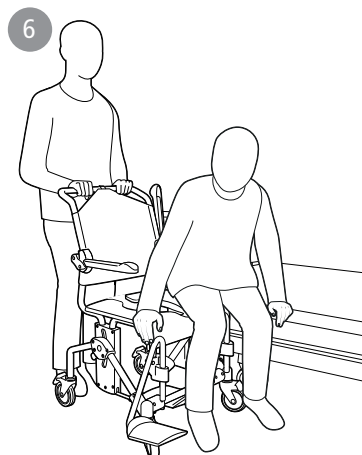
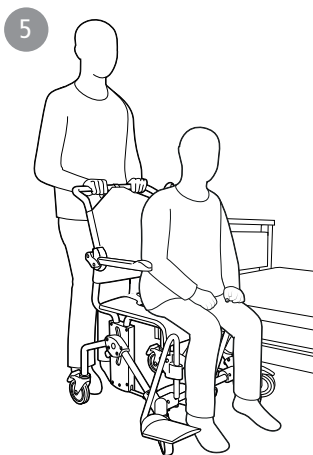
E



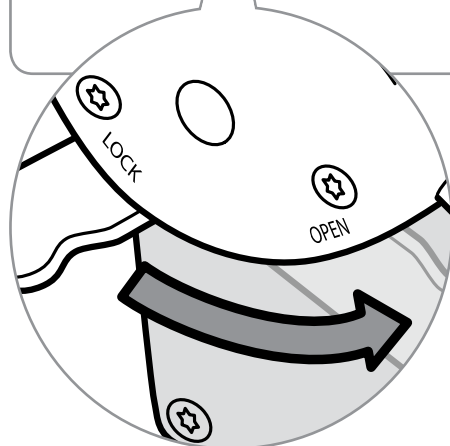
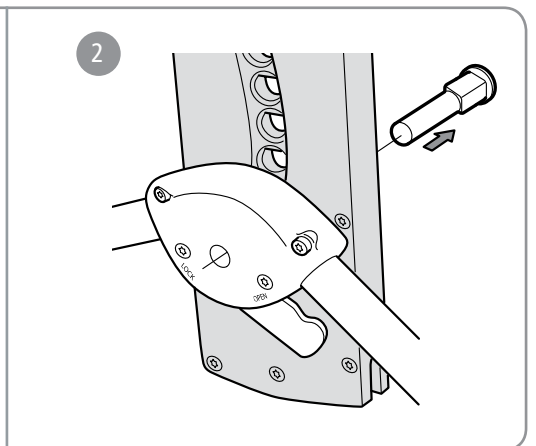
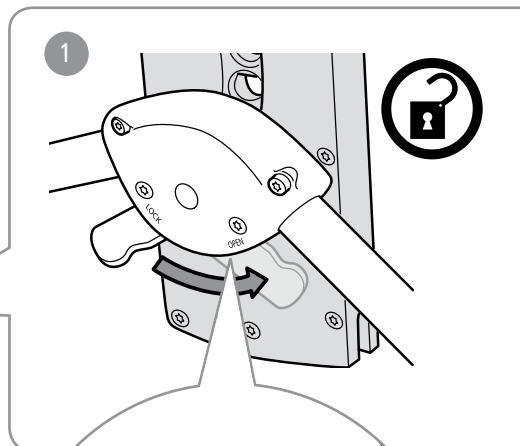
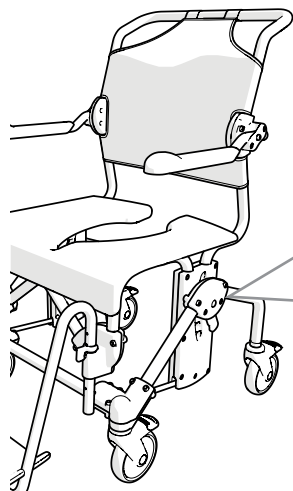
F



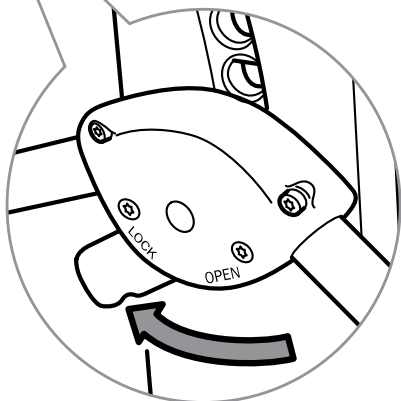
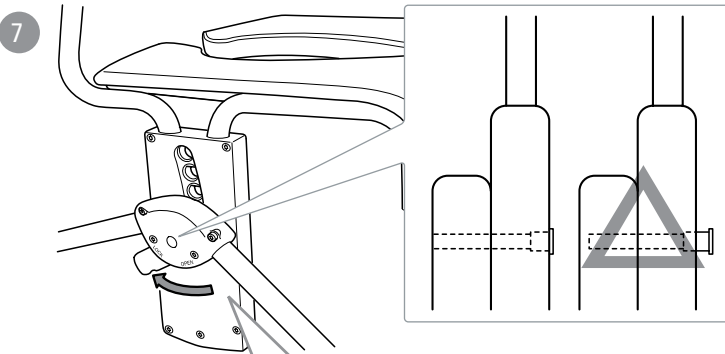
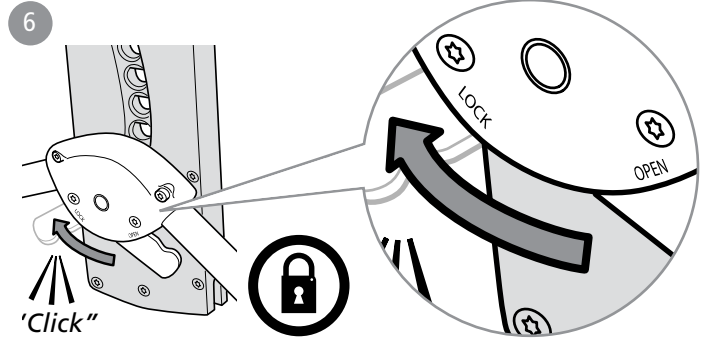
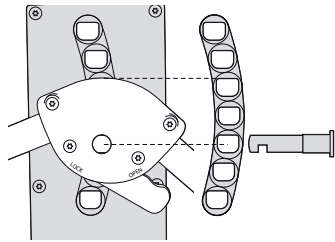
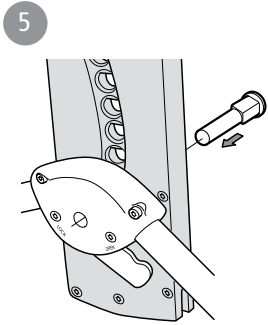
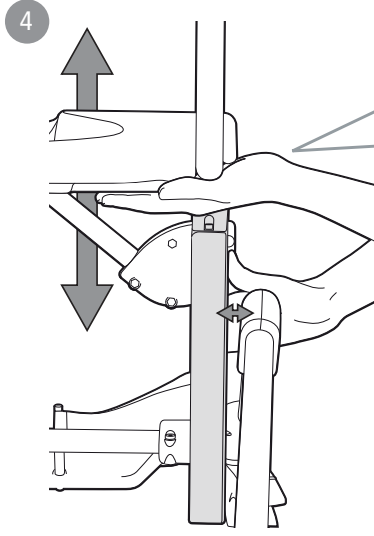
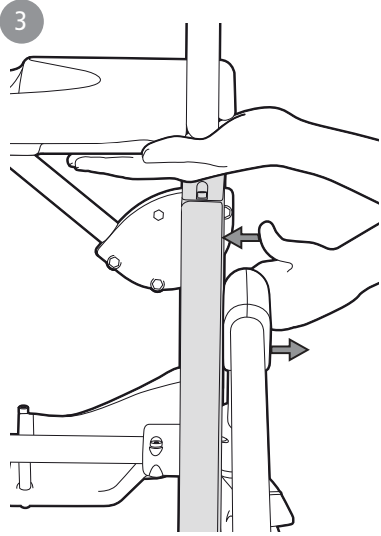
Swift Mobil 24"-2



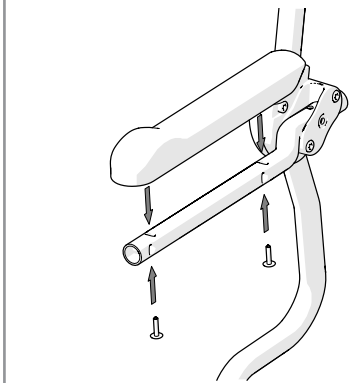
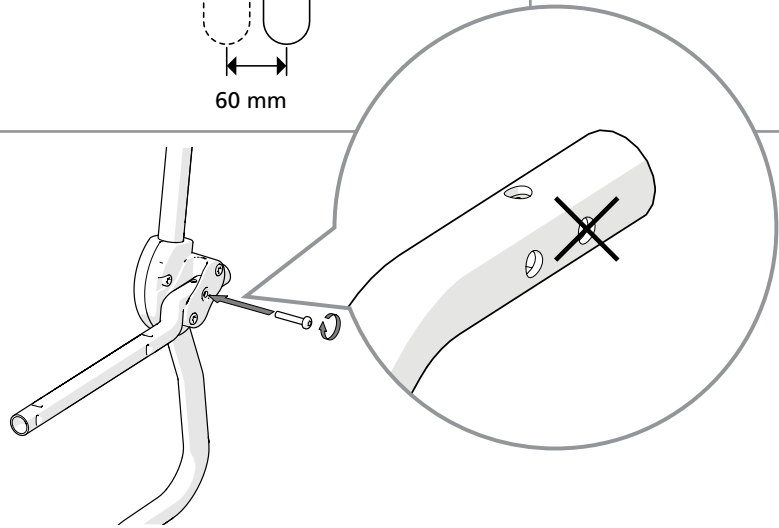
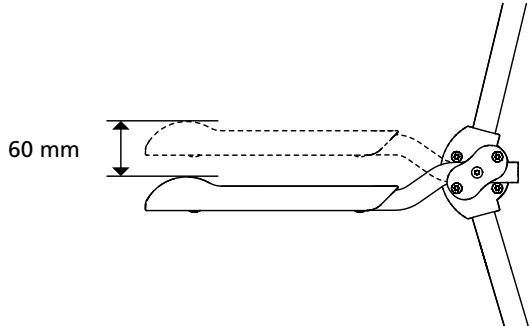
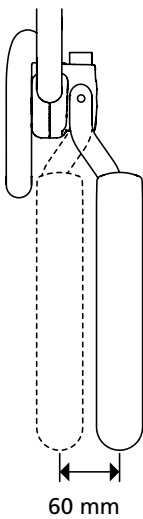
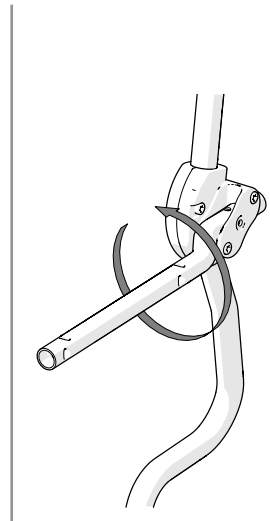
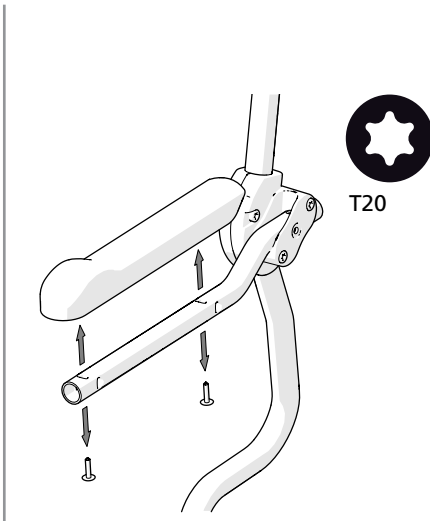
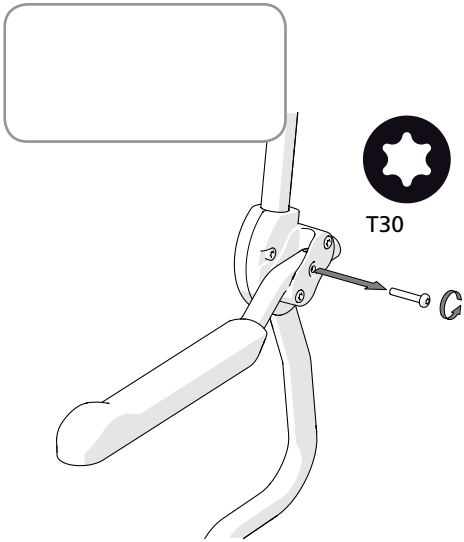
G



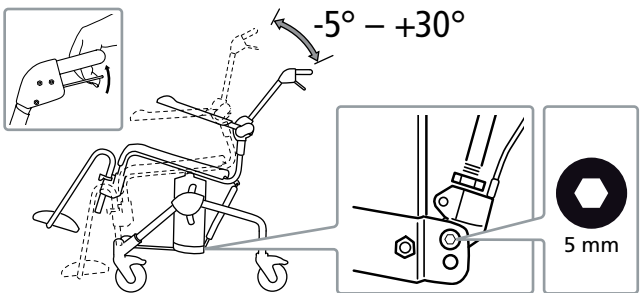
G



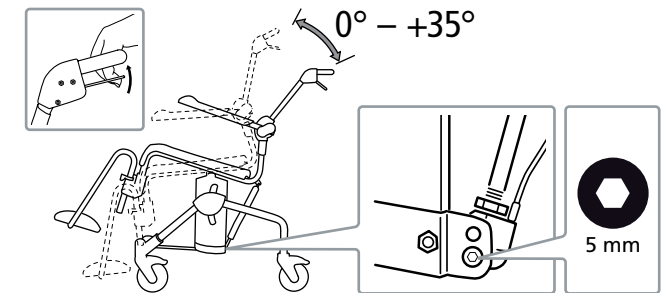
8



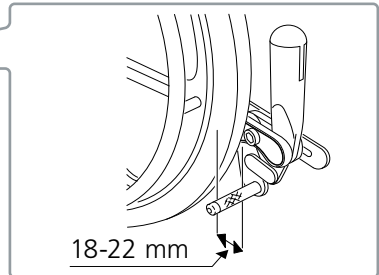
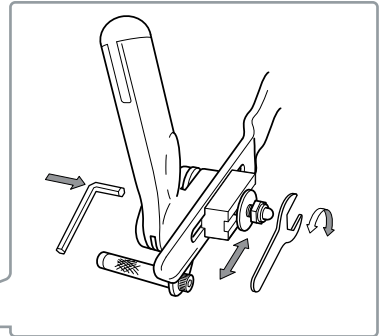
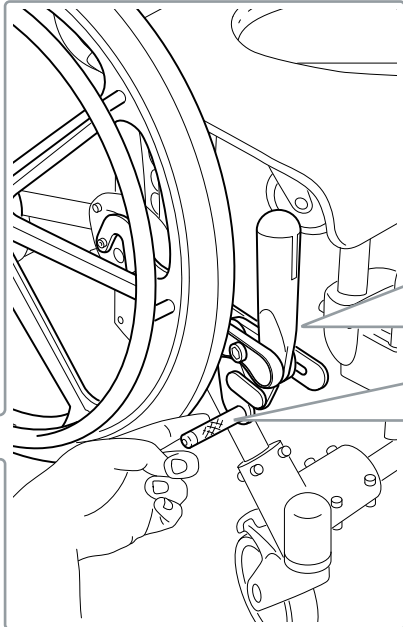
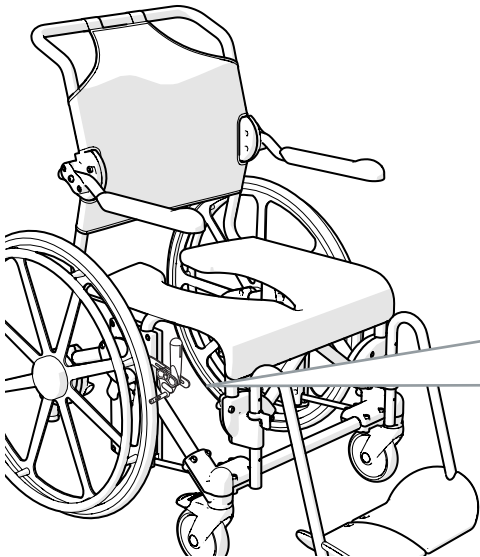
9 **A**
B



10 **A**
B

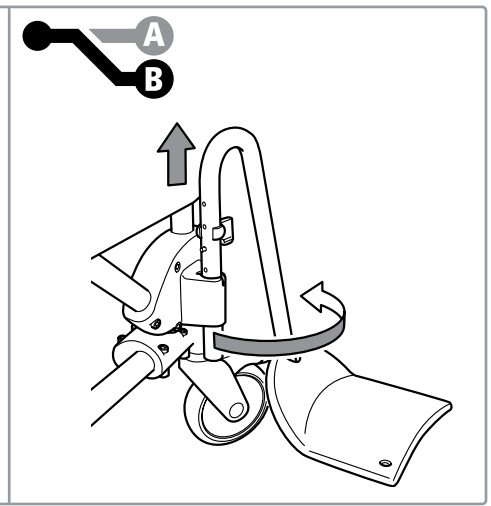
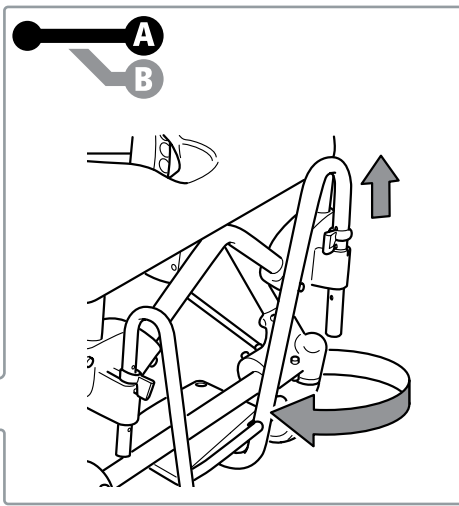
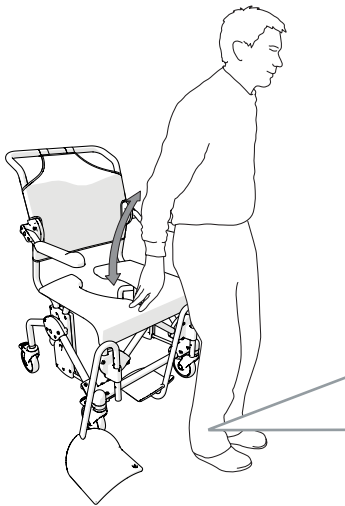


11

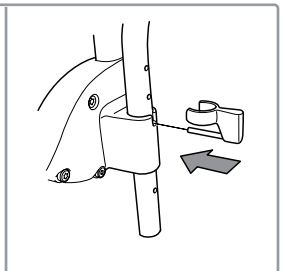
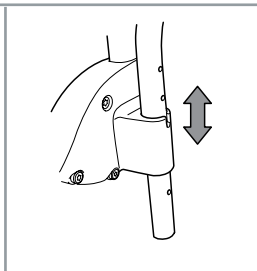
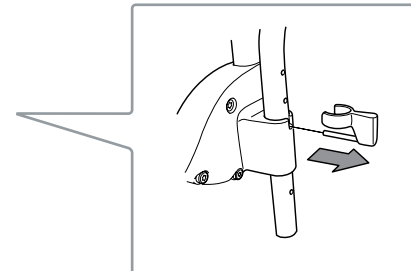
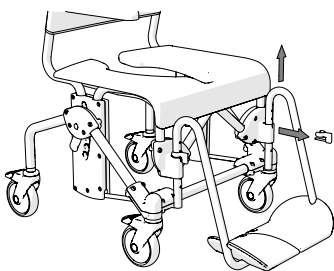


H

1

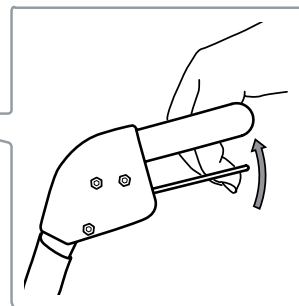
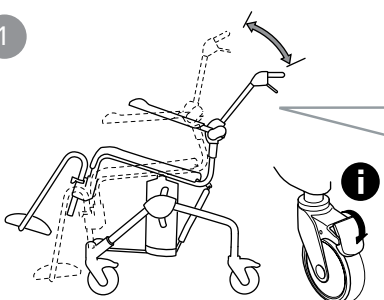


2



I

1



J

1		2		3		4		5	
6		7		8		9		10	
11		12		13		14		15	
16		17		18		19		20	
21		22		23		24		25	
26		27		28		29		30	
31		32		33		34		35	
36		37		38		39		40	
41									

English

Accessories

See Figure J

In the section "Accessories", you can see all accessory options available for your product. Variations may occur in different markets. There are restrictions on accessory combinations



See Figure J	Sw M.-2	Sw M.-2 XL	Sw M. 24"-2	Sw M. Tilt-2	Sw M. Tilt-2 XL	See Figure J	Sw M.-2	Sw M.-2 XL	Sw M. 24"-2	Sw M. Tilt-2	Sw M. Tilt-2 XL
J1. Leg and calf rest, angle-variable	<input type="checkbox"/>	<input type="checkbox"/>	<input type="checkbox"/>	<input type="checkbox"/>	<input type="checkbox"/>	J23. Armrest cushion, pair	<input type="checkbox"/>	<input type="checkbox"/>	<input type="checkbox"/>	<input type="checkbox"/>	<input type="checkbox"/>
J2. Footrest	<input type="checkbox"/>	<input type="checkbox"/>	<input type="checkbox"/>	<input type="checkbox"/>	<input type="checkbox"/>	J24. Trunk support	<input type="checkbox"/>	<input type="checkbox"/>	<input type="checkbox"/>	<input type="checkbox"/>	<input type="checkbox"/>
J3. Angle adj. footrest	<input type="checkbox"/>	<input type="checkbox"/>	<input type="checkbox"/>	<input type="checkbox"/>	<input type="checkbox"/>	J25. Chest and hip positioning belts	<input type="checkbox"/>	<input type="checkbox"/>	<input type="checkbox"/>	<input type="checkbox"/>	<input type="checkbox"/>
J4. Amputee legrest	<input type="checkbox"/>	<input type="checkbox"/>	<input type="checkbox"/>	<input type="checkbox"/>	<input type="checkbox"/>	J26. Chest belt	<input type="checkbox"/>	<input type="checkbox"/>	<input type="checkbox"/>	<input type="checkbox"/>	<input type="checkbox"/>
J5. Commode pan	<input type="checkbox"/>	<input type="checkbox"/>	<input type="checkbox"/>	<input type="checkbox"/>	<input type="checkbox"/>	J27. Positioning belt	<input type="checkbox"/>	<input type="checkbox"/>	<input type="checkbox"/>	<input type="checkbox"/>	<input type="checkbox"/>
J6. Pan-holder attachments	<input type="checkbox"/>	<input type="checkbox"/>	<input type="checkbox"/>	<input type="checkbox"/>	<input type="checkbox"/>	J28. Crossbar 605 mm	<input type="checkbox"/>	<input type="checkbox"/>	<input type="checkbox"/>	<input type="checkbox"/>	<input type="checkbox"/>
J7. Attachments for low pan-holder mounting	<input type="checkbox"/>	<input type="checkbox"/>	<input type="checkbox"/>	<input type="checkbox"/>	<input type="checkbox"/>	J28. Crossbar 665 mm	<input type="checkbox"/>	<input type="checkbox"/>	<input type="checkbox"/>	<input type="checkbox"/>	<input type="checkbox"/>
J8. Commode pan holders	<input type="checkbox"/>	<input type="checkbox"/>	<input type="checkbox"/>	<input type="checkbox"/>	<input type="checkbox"/>	J29. Anti-tip stabilisers including bracket	<input type="checkbox"/>	<input type="checkbox"/>	<input type="checkbox"/>	<input type="checkbox"/>	<input type="checkbox"/>
J9. Bucket holders	<input type="checkbox"/>	<input type="checkbox"/>	<input type="checkbox"/>	<input type="checkbox"/>	<input type="checkbox"/>	J30. Anti-tip stabilisers excluding bracket	<input type="checkbox"/>	<input type="checkbox"/>	<input type="checkbox"/>	<input type="checkbox"/>	<input type="checkbox"/>
J10. Pan	<input type="checkbox"/>	<input type="checkbox"/>	<input type="checkbox"/>	<input type="checkbox"/>	<input type="checkbox"/>	J31. Tilter	<input type="checkbox"/>	<input type="checkbox"/>	<input type="checkbox"/>	<input type="checkbox"/>	<input type="checkbox"/>
J11. Lid with handle	<input type="checkbox"/>	<input type="checkbox"/>	<input type="checkbox"/>	<input type="checkbox"/>	<input type="checkbox"/>	J32. Rear wheel kit	<input type="checkbox"/>	<input type="checkbox"/>	<input checked="" type="checkbox"/>	<input type="checkbox"/>	<input type="checkbox"/>
J12. Splash guard	<input type="checkbox"/>	<input type="checkbox"/>	<input type="checkbox"/>	<input type="checkbox"/>	<input type="checkbox"/>	J33. Headrest and bracket	<input type="checkbox"/>	<input type="checkbox"/>	<input checked="" type="checkbox"/>	<input checked="" type="checkbox"/>	<input type="checkbox"/>
J13. Soft Comfort seat, 2 cm high, open at back	<input type="checkbox"/>	<input type="checkbox"/>	<input type="checkbox"/>	<input type="checkbox"/>	<input type="checkbox"/>	J34. Heel straps	<input type="checkbox"/>	<input type="checkbox"/>	<input checked="" type="checkbox"/>	<input checked="" type="checkbox"/>	<input type="checkbox"/>
J14. Soft Comfort seat, 4 cm high, open at back	<input type="checkbox"/>	<input type="checkbox"/>	<input type="checkbox"/>	<input type="checkbox"/>	<input type="checkbox"/>	J35. Hemiplegic armrest	<input type="checkbox"/>	<input type="checkbox"/>	<input type="checkbox"/>	<input type="checkbox"/>	<input type="checkbox"/>
J15. Comfort seat	<input type="checkbox"/>	<input type="checkbox"/>	<input type="checkbox"/>	<input type="checkbox"/>	<input type="checkbox"/>	J36. Armrest lock	<input type="checkbox"/>	<input type="checkbox"/>	<input type="checkbox"/>	<input type="checkbox"/>	<input type="checkbox"/>
J16. Soft Comfort seat	<input type="checkbox"/>	<input type="checkbox"/>	<input type="checkbox"/>	<input type="checkbox"/>	<input type="checkbox"/>	J37. Extended back support	<input type="checkbox"/>	<input type="checkbox"/>	<input type="checkbox"/>	<input type="checkbox"/>	<input type="checkbox"/>
J17. Soft Comfort seat - narrow opening	<input type="checkbox"/>	<input type="checkbox"/>	<input type="checkbox"/>	<input type="checkbox"/>	<input type="checkbox"/>	J38. Short leg support	<input type="checkbox"/>	<input type="checkbox"/>	<input type="checkbox"/>	<input type="checkbox"/>	<input type="checkbox"/>
J18. Soft cushion - standard opening	<input type="checkbox"/>	<input type="checkbox"/>	<input type="checkbox"/>	<input type="checkbox"/>	<input type="checkbox"/>	J39. Widening kit for leg support	<input type="checkbox"/>	<input type="checkbox"/>	<input type="checkbox"/>	<input type="checkbox"/>	<input type="checkbox"/>
J19. Soft cushion - oval opening	<input type="checkbox"/>	<input type="checkbox"/>	<input type="checkbox"/>	<input type="checkbox"/>	<input type="checkbox"/>	J40. Anti tip front	<input type="checkbox"/>	<input type="checkbox"/>	<input type="checkbox"/>	<input type="checkbox"/>	<input type="checkbox"/>
J20. Seat cover	<input type="checkbox"/>	<input type="checkbox"/>	<input type="checkbox"/>	<input type="checkbox"/>	<input type="checkbox"/>	J41. Back Swift Mobil-2, upright	<input type="checkbox"/>	<input type="checkbox"/>	<input type="checkbox"/>	<input type="checkbox"/>	<input type="checkbox"/>
J21. Soft back pad	<input type="checkbox"/>	<input type="checkbox"/>	<input type="checkbox"/>	<input type="checkbox"/>	<input type="checkbox"/>		<input type="checkbox"/>	<input type="checkbox"/>	<input type="checkbox"/>	<input type="checkbox"/>	<input type="checkbox"/>
J22. Comfort padding	<input type="checkbox"/>	<input type="checkbox"/>	<input type="checkbox"/>	<input type="checkbox"/>	<input type="checkbox"/>		<input type="checkbox"/>	<input type="checkbox"/>	<input type="checkbox"/>	<input type="checkbox"/>	<input type="checkbox"/>