



# BRAVE SWING FRAME

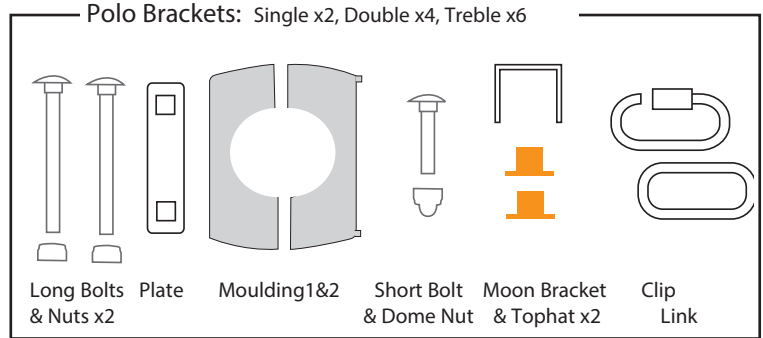
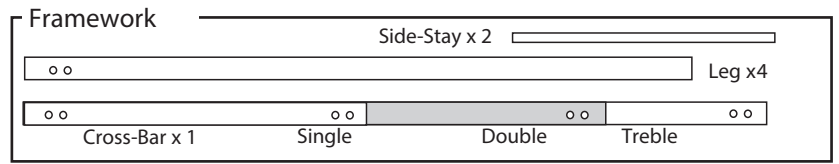
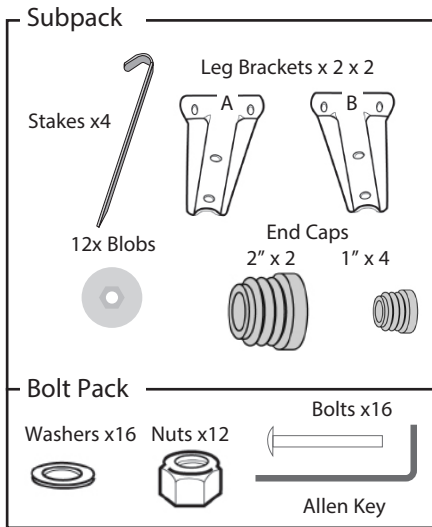
B0719. BATCH USA1019

CONTENTS (The Framework is in a long separate package.)

YOU WILL NEED - 13mm spanner &...  
- 2 adults during part 5.

Please Read, Follow  
and Keep these Safety  
Instructions.

- Product to be assembled by an adult.
- Always use under adult supervision.
- Inspect for damage before use.
- Do not assemble or use if parts are missing or damaged.
- Do not use until fully assembled.

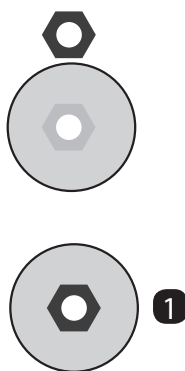


### Tips Before you Start.

- Try our Website for Instructional Videos, or read these instructions fully before starting.
- Decide where you are going to put the frame - See "Safe Positioning".
- Construct the Frame close to this position
- Fitting the Cliffhanger attachment? - Only use one of the 2" Endcaps on the Crossbar.

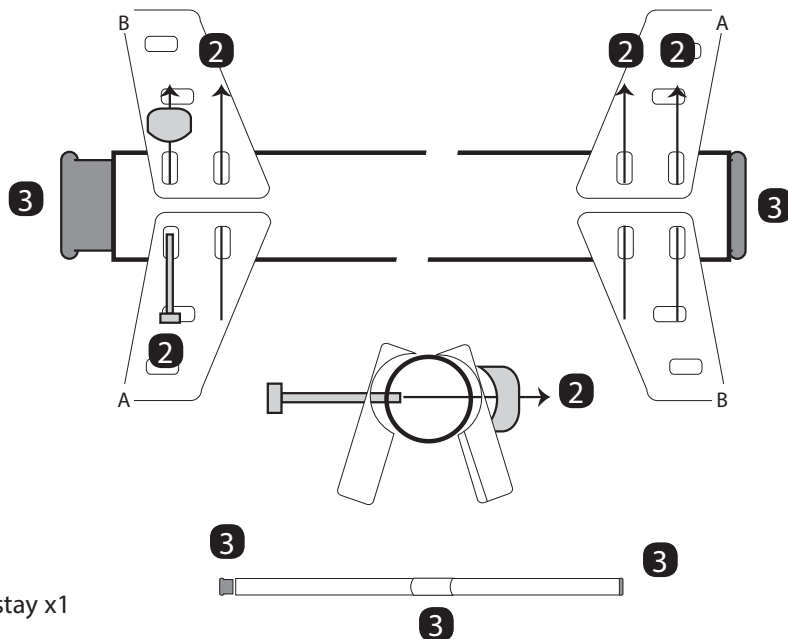
## ASSEMBLY INSTRUCTIONS

1. Secure the Nuts x 12  
Push a nut firmly into each Blob, so you dont loose them.



2. Attach the Leg Brackets x 4  
Leg Brackets are "handed" and marked A or B.  
Each end of the crossbar should have an A and a B, positioned so that the legs splay outwards.

Bolt through a Washer, a Bracket, the Crossbar, a second bracket and into a Blob'd Nut.



3. Fit the End Caps x6...  
...and slide the Brave logo on a sidestay x1

Made in England by Brave Toys

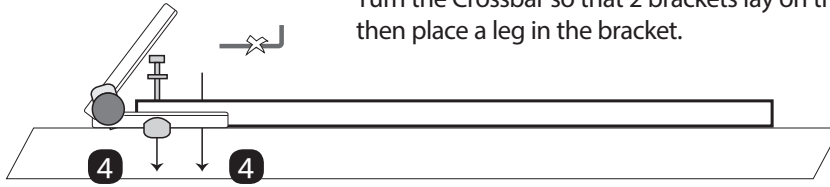


Brave Toys 6 Severnside Business Park, Severn Road, Stourport-on-Severn, Worcestershire DY13 9HT  
T: 01299 873528 swings@bravetoys.com

www.bravetoys.com

4. Attach 2 Legs. (Legs are identical.)  
Turn the Crossbar so that 2 brackets lay on their backs, then place a leg in the bracket.

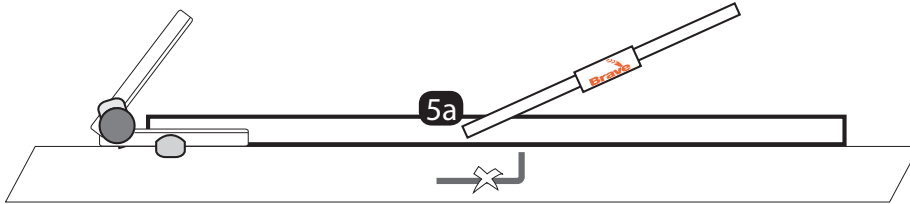
Finger Tight Only!



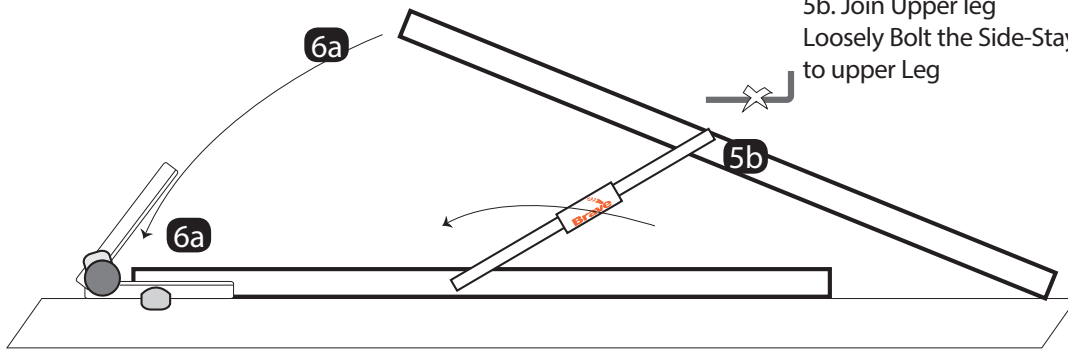
Bolt down through a Washer, the Leg, the Bracket and into a Blob'd Nut.

You want these bolts to go straight in.  
Follow these wicked-smart instructions to avoid disappointment. See below

5. Fit Side Stay  
5a. Loosley bolt Side-Stay to outside of lower Leg

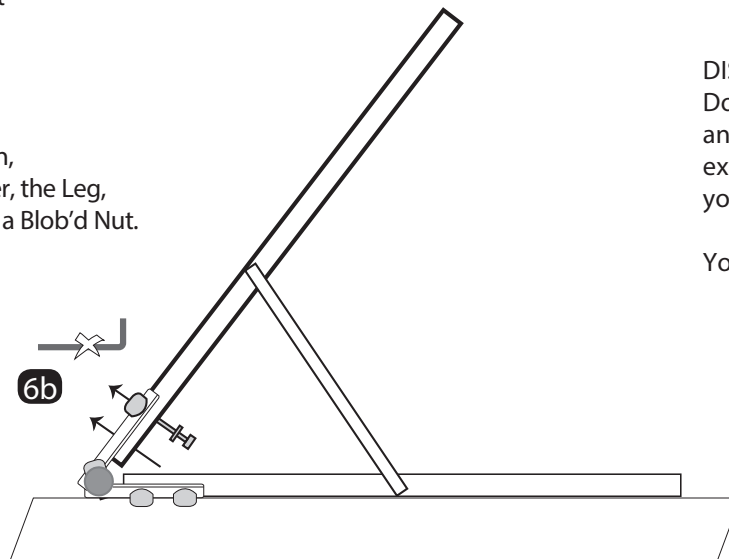


5b. Join Upper leg  
Loosely Bolt the Side-Stay to upper Leg



6a. Post the upper Leg into the Leg Bracket

6b. Bolt into position, Up through a Washer, the Leg, the Bracket and into a Blob'd Nut.



**DISAPPOINTMENT**  
Don't worry we will send you out another side-stay (or two) at our expense as soon as we receive your call.

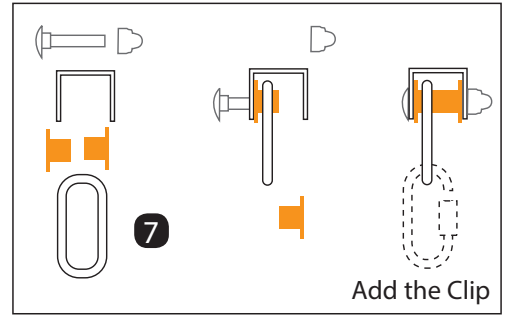
Your distressed call.



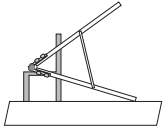
7. Assemble the Polo Brackets.

Pass the Short Bolt through the square hole in the Moon Bracket, then load with: a Tophat Bush; the Link; the 2nd Tophat. Finish with the DomeNut.

Tighten - Hard. A loose Bolt's shoulders will click in its square hole.

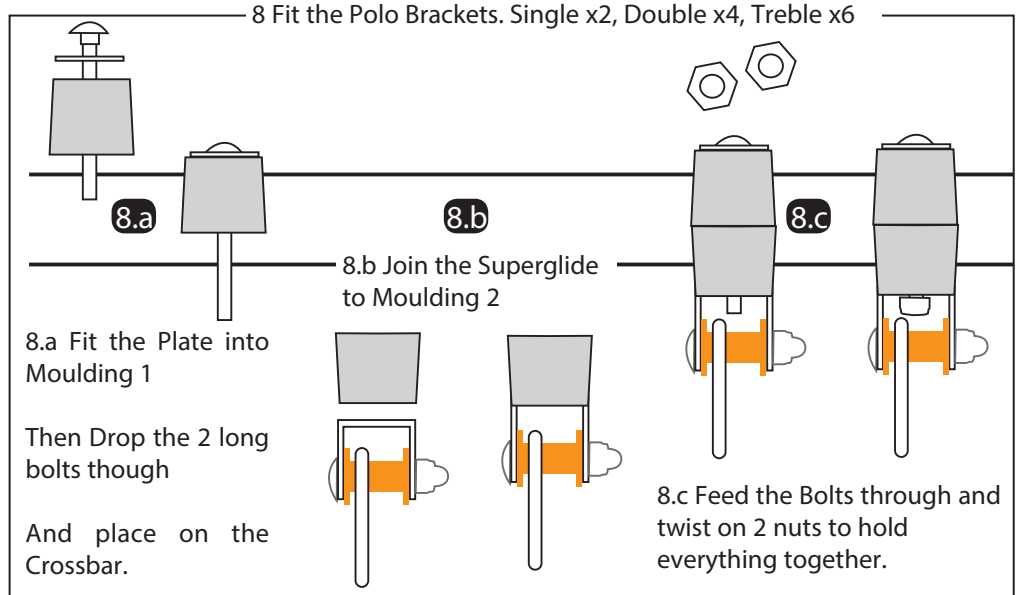


8



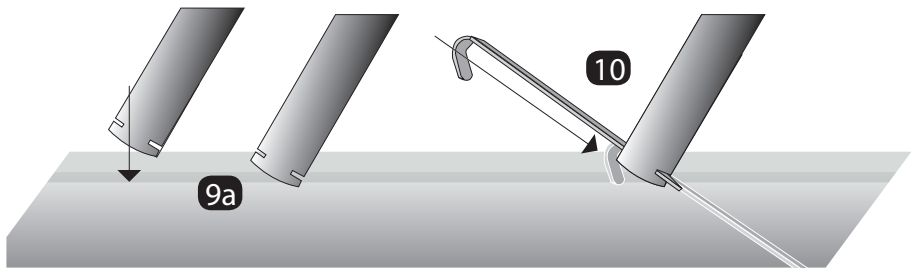
8. Tip. Rest the crossbar at a comfortable working height

8.c Tip. While you can use the Allen key to take up the slack now (in comfort), do not "tighten" the nuts yet: we position these brackets later.



9. Now stand the Frame upright and put it in a Safe Play Area (see "Safe Positioning" on next page)

Then lift each Leg in turn to let the Frame find its natural shape.



10. Stake it down x4  
Insert the stake into the outer slot and push it out through the inner slot. Then Hammer! it fully into the ground as far as it will go.

11. Position the Polo Brackets

Swing ropes should Rise Apart, so that the Brackets are 10cm wider than the swing.

There should also be a 30cm gap between swings. (Single rope swings need 45cm)

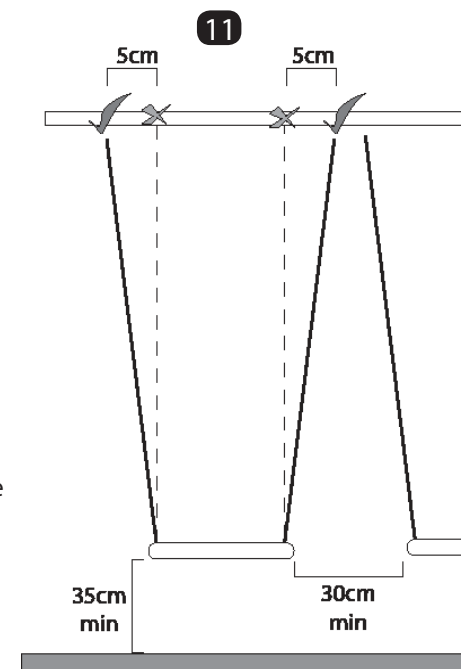
12. Tighten the Polo Brackets.

The Polo Brackets should not move during use.

13. Check all Nuts are tight

9a. Your frame is going to sink, your lawn is spongy, before we put the stakes in we want to get through to the tougher soil below.

Pull down on the Sidestays. (Or dig out a turf square, boss)





Make your frame Comply with EN71(EU only)

The following instructions are given so that both Brave and you can comply with a European safety directive EN71-8.

We do want to comply with this directive and therefore must print them. Not only do we fully agree with the spirit of the regulations (the desire to prevent accidents), we also think it very sensible that you should be aware of the potential for accidents that the regulations have identified.

## SAFE POSITIONING

Your swing must not be installed over concrete, asphalt or any other hard surface.

Children can be seriously injured swinging into obstacles.

We recommend positioning your frame at least 2m from any structure or obstruction such as a fence, patio, wall, laundry line or electrical wires.

Additional accessories may increase the size of the Safe Play Area.

The swing frame must be level.

Installing your Frame with a lean or 'rack' puts additional stress on all the connections and joints and in time will cause them to fail.

Maximum Fall Height: 2225mm

### Regulations vs Play Value

The Brave swing has been designed so that is very difficult to tip over.

Even without the stakes it just narrowly fails the En71-8 stability test.

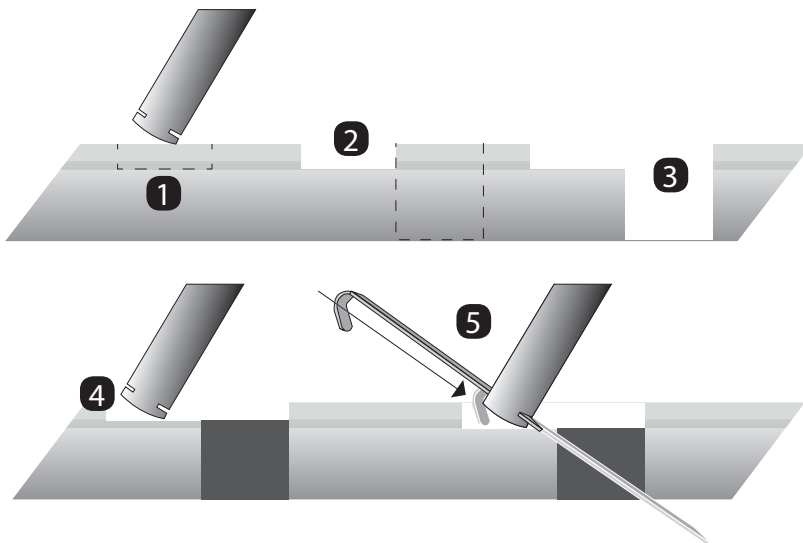
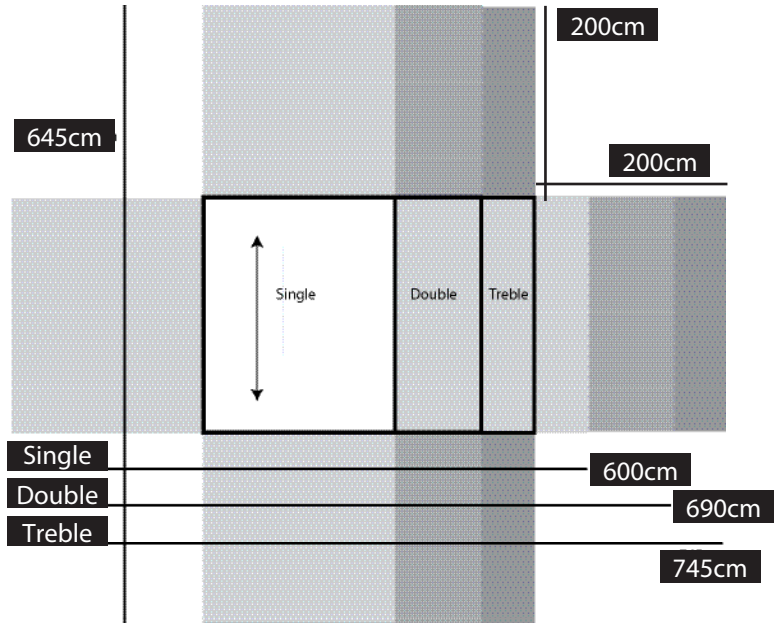
The addition of concreting-in instructions means that the test is not required to pass En71.

If this seems like a fudge to you then consider that a really well-set frame is more fun to play on than

one that lifts its leg - even if that leg-lift is thousands of Newtons shy of tipping the frame over.

### Prevent Overturning

Children could be seriously injured if they were able to tip the Frame right over on top of them.



To set the ground stakes in concrete.

1. Position Frame, cut turf squares around leg
2. Lift swing frame to one side, remove turf square
3. "inside" that square excavate a hole 30cm (1ft) deep and 35cm (15 inch) square.
4. Fill the hole with concrete.
5. Replace the Swing, Slide the stakes through the slots in the leg into the concrete
8. Allow the concrete to set.
9. Replace the turf.

Made in England by Brave Toys



## SECTION 4 OF THE CONSUMER PRODUCT SAFETY COMMISSION'S OUTDOOR HOME PLAYGROUND SAFETY HANDBOOK7

### X2.1 Select Protective Surfacing

One of the most important things you can do to reduce the likelihood of serious head injuries is to install shock-absorbing protective surfacing under and around your play equipment. The protective surfacing should be applied to a depth that is suitable for the equipment height in accordance with ASTM Specification F1292. There are different types of surfacing to choose from; whichever product you select, follow these guidelines:

#### X2.1.1 Loose-Fill Materials:

X2.1.1.1 Maintain a minimum depth of 9 in. (229 mm) of loose-fill materials such as wood mulch/chips, engineered wood fiber (EWF), or shredded/recycled rubber mulch for equipment up to 96 in. (2438 mm) high; and 9 in. (229 mm) of sand or pea gravel for equipment up to 60 in. (1524 mm) high.

NOTE: An initial fill level of 12 in. (305 mm) will compress to about a 9 in. (229 mm) depth of surfacing over time. The surfacing will also compact, displace, and settle, and should be periodically refilled to maintain at least a 9 in. (229 mm) depth.

X2.1.2 Use a minimum of 6 in. (152 mm) of protective surfacing for play equipment less than 48 in. (1219 mm) in height. If maintained properly, this should be adequate. (At depths less than 6 in. (152 mm), the protective material is too easily displaced or compacted.)

NOTE: Do not install home playground equipment over concrete, asphalt, or any other hard surface. A fall onto a hard surface can result in serious injury to the equipment user. Grass and dirt are not considered protective surfacing because wear and environmental factors can reduce their shock absorbing effectiveness. Carpeting and thin mats are generally not adequate protective surfacing. Ground level equipment – such as a sandbox, activity wall, playhouse or other equipment that has no elevated play surface – does not need any protective surfacing.

X2.1.3 Use containment, such as digging out around the perimeter and/or lining the perimeter with landscape edging. Don't forget to account for water drainage.

X2.1.3.1 Check and maintain the depth of the loose-fill surfacing material. To maintain the right amount of loose-fill materials, mark the correct level on play equipment support posts. That way you can easily see when to replenish and/or redistribute the surfacing.

X2.1.3.2 Do not install loose fill surfacing over hard surfaces such as concrete or asphalt.

X2.1.4 Poured-In-Place Surfaces or Pre-Manufactured Rubber Tiles—You may be interested in using surfacing other than loose-fill materials – like rubber tiles or poured-in-place surfaces.

X2.1.4.1 Installations of these surfaces generally require a professional and are not “do-it-yourself” projects.

X2.1.4.2 Review surface specifications before purchasing this type of surfacing. Ask the installer/manufacture for a report showing that the product has been tested to the following safety standard: ASTM F1292 Standard Specification for Impact Attenuation of Surfacing Materials within the Use Zone of Playground Equipment. This report should show the specific height for which the surface is intended to protect against serious head injury. This height should be equal to or greater than the fall height – vertical distance between a designated play surface (elevated surface for standing, sitting, or climbing) and the protective surfacing below – of your play equipment.

X2.1.4.3 Check the protective surfacing frequently for wear.

X2.1.5 Placement—Proper placement and maintenance of protective surfacing is essential. Be sure to:

X2.1.5.1 Extend surfacing at least 72 in. (1829 mm) from the equipment in all directions.

X2.1.5.2 For to-fro swings, extend protective surfacing in front of and behind the swing to a distance equal to twice the height of the top bar from which the swing is suspended.

X2.1.5.3 For tire swings, extend surfacing in a circle whose radius is equal to the height of the suspending chain or rope, plus 6 ft in all directions.

## **MAINTENANCE INSTRUCTIONS:**

These instructions form an essential part of our product and must be kept for future reference. Do not throw them away.

We have designed and built a strong product which we believe will last. Like all mechanisms though, parts will be subject to wear and therefore **MUST** be checked regularly. Any parts showing signs of wear must be replaced before the product is used again.

At the beginning of each play season:

- Tighten all hardware.
- Check all protective coverings on bolts, tubes, edges, and corners. Replace if they are loose, cracked, or missing.
- Check all moving parts including swing seats, ropes, cables and chains for wear, rust or other deterioration.
- Check metal parts for rust. If found, sand and repaint using a nonlead-based paint meeting 16 CFR 1303.
- Check all wood members for deterioration and splinters. Sand down splinters and replace deteriorating wood.
- Reinstall any plastic parts, such as swing seats or any other items that were removed for the cold season.

Twice a month during play season:

- Tighten all hardware.
- Check all protective coverings on bolts, pipes, edges, and corners. Replace if they are loose, cracked, or missing.

At the end of each play season or when the temperature drops below °F (temperature to be selected by the manufacturer):

- Remove plastic swing seats and other items as specified by the manufacturer and take indoors or do not use.

Owners shall be responsible for maintaining the legibility of the warning labels.

## **DISPOSAL INSTRUCTIONS:**

Disassemble and dispose of the playground equipment in such a way that no unreasonable hazards will exist.

## **INFORMATION:**

Observing the following statements and warnings reduces the likelihood of serious or fatal injury.

- Only one person shall use each swing seat at a time.
- Play should be supervised by an appropriate adult at all times.
- Children must not walk close to, in front of, behind, or between moving items.
- Children must not twist swing chains or ropes or loop them over the top support bar since this may reduce the strength of the chain or rope.
- Children should avoid swinging empty seats.
- Children should be taught to sit in the centre of the swings with their full weight on the seats.
- Only use the equipment in a manner intended.
- Children must not get off the equipment while it is in motion.
- Children shall not wear inappropriate items, such as but not limited to, loose fitting clothing, hood and neck drawstrings, scarves, cord-connected items, capes and ponchos. These items can cause death by strangulation.
- Do not climb on the equipment when it is wet.
- Children must not attach items to the playground equipment that are not specifically designed for use with the equipment, such as, but not limited to, jump ropes, clothesline, pet leashes, cables and chain as they may cause a strangulation hazard.
- Owners must ensure children remove their bike or other sports helmet before playing on the playground equipment.
- Children must dress with well-fitting and full foot enclosing footwear. Examples of inappropriate footwear are clogs, flip flops, and sandals.