



S Series 90 Gallon Stationary Whirlpool with Legs S-90-SL



Product photo/image above may show some available options

S-90-SL Stationary Whirlpool with Legs is recommended for treatment and prevention of sports injuries allowing coverage of the extremities, hips and back area. Professional, college and high school athletic trainers find the larger design most suitable when treating today's athletes.

Tank Capacity is 90 gallons.

Whirlpool Tank is 46"L x 24"W x 25"D and is seamless welded construction, fabricated from heavy gauge, type 304 stainless steel, polished to a satin finish. Tank rim is reinforced with a concealed stainless steel rod. Tank is fitted with an auxiliary drain valve. Tank bottom is a seamless, rounded covered design to minimize bacteria buildup. Whirlpool is fitted with adjustable stainless steel legs and gravity drain valve.

Turbine Raising and Lowering Device permits adjustment of desired height and direction of water agitation towards the area of the body to be treated. It is spring balanced and provided with a locking device.

Turbine Assembly functions both as agitator and emptying device. It is equipped with Underwriters Laboratory listed 1/2 HP jet pump motor protected with an ABS plastic shell, and automatic thermal overload protector, and lifetime-sealed bearings. All parts contacting the water are stainless steel, chrome plated brass or bronze.

Thermometer is provided with a dual scale, adjustable calibration, and a stem inserts into a retainer to prevent rattle during whirlpool agitation.

GUIDE SPECIFICATIONS

Provide Stationary Whirlpool (specify model number and options) with a 90-gallon capacity, 46"L x 24"W x 25"D. Whirlpool shall be fabricated from heavy gauge, type 304 stainless steel. Construction shall be seamless welded and exposed surfaces shall be polished to satin finish. Tank shall have a reinforced rim and shall be fitted with an auxiliary drain valve. Bottom of tank shall be a seamless, rounded covered design to minimize bacteria build up. Provide a turbine assembly with raising and lowering device which functions both as agitator and emptying device, permits adjustment of desired height, direction of water agitation, and can be locked into place. Turbine assembly shall be UL listed 1/2 HP jet pump motor with automatic thermal overload protector, and lifetime-sealed bearings. Provide a thermometer with a stem retainer to prevent rattle when whirlpool is in operation.

Sports Whirlpools

MODEL NUMBER AND OPTION SELECTIONS

Series

- S Sports Series

Capacity

- 90 Gallons

Type

- SL Stationary Whirlpool with Legs

Suffix Options (See Whirlpool Option Section for Details)

- AHC1 Adjustable High Chair with Casters
- AHC2 Adjustable High Chair with Rubber Tips
- ARS Arm Rest Support
- AS2 Adjustable Suspension Seat
- CTS2 Combination Table with Side Seats
- EG Enviro Glaze Color Powder Coating - Specify Color: _____

(Special Finish Consult Factory)

- GFI Ground Fault Interrupter
- MXT1 Thermostatic Mixing Valve (15 G.P.M.)
- MXT2 Thermostatic Mixing Valve (25 G.P.M.)
- MXWH Washout Hose Attachment for MXT Valves
- PCS Pump Cover Strainer
- PHS2 Patient Handling System (Chair Type)
- RHG Rubber Hand Grips
- SDP Separate Drain Pump
- TTS2 Tank Top Seat

Note: Separate Drain and Overflow Assembly (-SDO) is not available with S-90-SL

Turbine Assembly

Electrical on standard turbine supplied is 115 V 60 Hz if 220 V is required please specify:

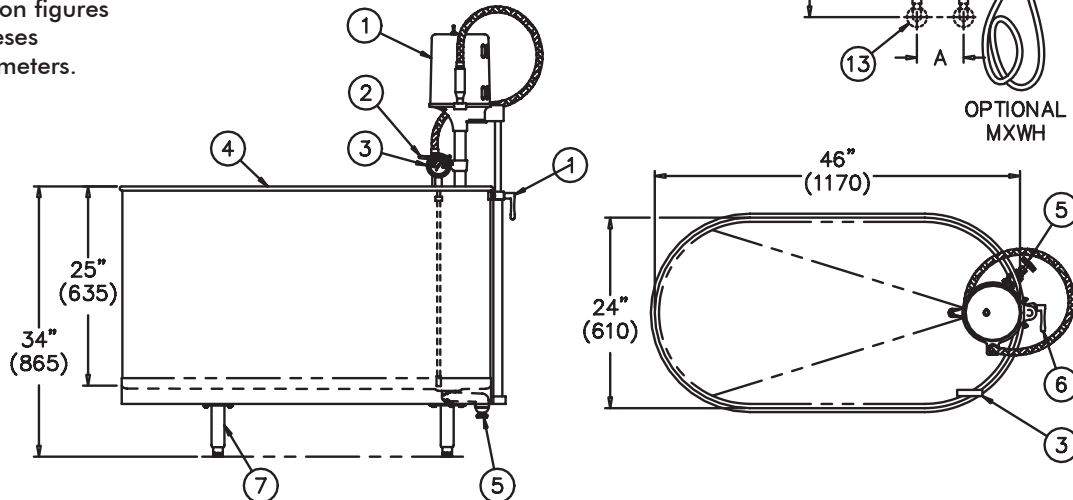
- 50 Hz
- 60 Hz

Note: Electrical requirements are 8 Amps / 115 Volts/ 60Hz/ 3 Pole GFI Receptacle.



VALVE	INLETS	OUTLET	DIM A	DIM B	DIM C
MXT1 (15 GPM)	1/2" NPT	1/2" NPT	8-1/2" (215)	13-3/4" (350)	18" (455)
MXT2 (25 GPM)	3/4" NPT	3/4" NPT	9-1/2" (240)	13-1/2" (345)	17" (430)

All dimension figures in parentheses are in millimeters.



STATIONARY S-90-SL SERIES WHIRLPOOL

NOTE:

- | | |
|-------------------------------|---------------------------------------|
| 1. 1/2 hp Jet Pump Motor. | 5. Auxiliary Drain Valve. |
| 2. Variable Pressure Control. | 6. Turbine Raising & Lowering Device. |
| 3. Thermometer. | 7. Adjustable Stainless Steel Legs. |

SELECTION SUMMARY & APPROVAL FOR MANUFACTURING

Model Number & Options _____ Quantity _____
 Company _____ Date _____
 Contact _____ Title _____
 Approval for Manufacturing/Signature _____