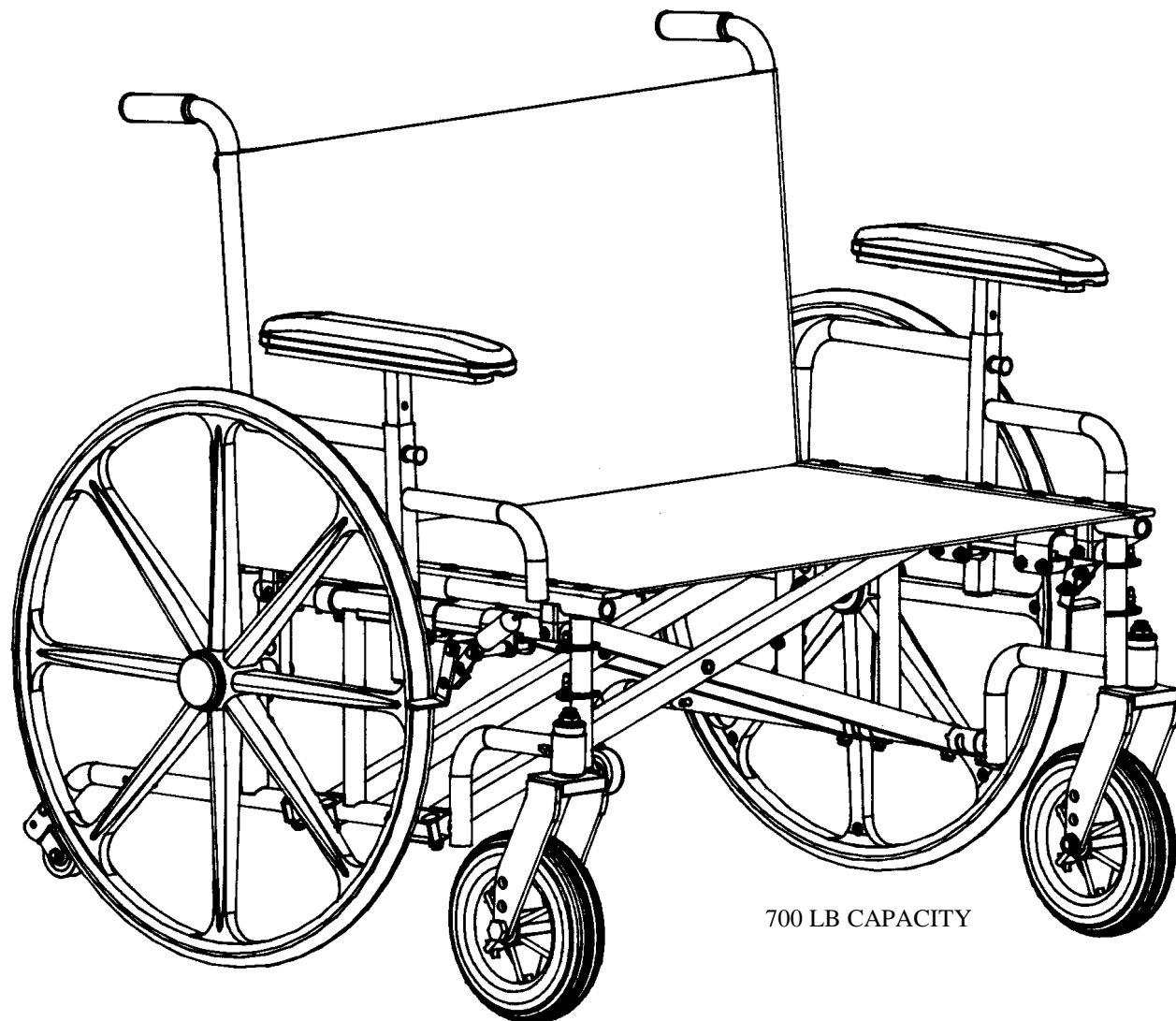


# Owner's Manual

## Bariatric Manual Wheelchairs



700 LB CAPACITY

# *XL Series*

*Specializing in Bariatric Patient Aids*

## CHAIR MAINTENANCE AND SAFETY INSPECTION

**“Uni-Mold” Mag Composite Wheels-** Our exclusive wheel design provides high strength, low maintenance, and lightweight. One piece molded construction guarantees superior rollability and performance. Outlasts conventional tires by up to three times. Periodically examine tires for wear. Worn tires will make your wheelchair difficult to propel. Both wheels should be replaced at the same time to prevent chair from pulling to one side

**6-8” Casters-** Wheel is secured to the caster fork by an axle bolt and nut. To adjust, rotate bolt and lock with nut. Wheel should be snug but free spinning. If the caster flutters, remove the caster cap. Adjust the lock nut located under the caster cap. Take-up all play. Back-off about ¼ turn. Replace caster cap.

**20-24” Wheels-** Adjust loose or wobbly wheels. First remove hub cap. Remove all dirt and lint from outside of bearings. Loosen axle locknut. Tighten axle bolt until all wobble is eliminated. Back off about 1/4 turn. Retighten locknut. Tilt the wheel chair to one side and spin the wheel. If it stops abruptly, it is too tight. Readjust the axle bolt. Replace hub cap.

**X-Braces-** The pivot bolt’s nuts must be snug, but not over tight. If pivot bolt becomes worn, replace.

**Lubrication-** Periodically, lubricate all pivot and wear points on your wheelchair with a good grade of silicone spray. All bearings are sealed and lubricated at the factory for the life of the bearing.

**Cleaning and Polishing-** The upholstery, vinyl components, wheels and tires may be cleaned with warm water and a mild detergent. Wipe dry immediately with a soft clean cloth. Metal parts were polished at the factory to provide a bright shiny appearance. To maintain new appearance, use a good grade of car wax.

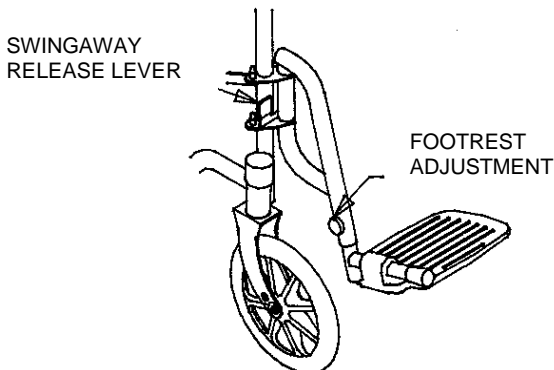
**Opening and Closing Chair -** To open, apply pressure to both seat tubes located at the sides of the seat and force downward until the chair is fully open. Keep fingers away from pinch points under seat tube while opening chair. Fold the chair by gripping the center of the seat upholstery at the front and rear edges and lift upward, then push side frames together.

**Seat and Back Upholstery-** Only premium grade nylon is used. Inner liners are made of quality, tested material to prevent sag and wear. All seats and backs are sewn, not heat sealed. Replace immediately if upholstery is ripped or sags. To ensure comfort and uniform appearance, both seat and back upholstery should be replaced together.

# WARNING!

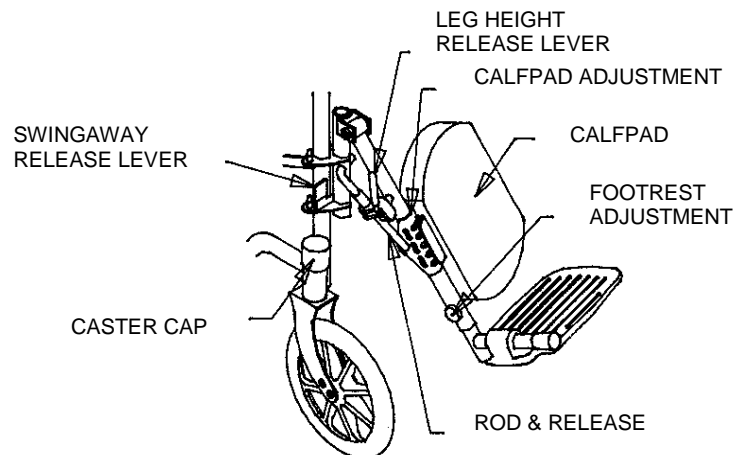
- It is recommended that users not be transported in vehicles while seated in the wheelchair. We do not approve of any tie-down system for transportation of users in any moving vehicle while seated in the wheelchair.
- Do not tilt the wheelchair back when occupied. This may cause serious injury to wheelchair user or assistant.
- Do not attempt to go up or down steps.
- Do not ride over curbs or obstacles. This may cause the wheelchair to become unstable and cause bodily harm to you or damage the wheelchair. Always use curb cuts.
- Do not use your chair on a slope grade steeper than 10%. (A 10% slope grade means one foot in elevation for every ten feet of slope length.)
- Do not park the wheelchair on an incline.
- Do not operate the wheelchair on slippery surfaces.
- Do not lift the wheelchair by any removable parts including armrests and footrests. Lifting the wheelchair by these parts, occupied or not, may damage the wheelchair.
- Do not stand on footrests. When entering and exiting chair always fold up footrests.
- Do not move forward in seat to reach for objects. Do not pick objects up from the floor by reaching down between your knees.
- Do not lean over the top of the back upholstery.
- The back height, caster position, rear wheel position, and anti-tip position all define the stability of the wheelchair. Any of these setting changes must be done in accordance with the descriptions in this manual.

**Footrests/Elevating Legrests-** All footrests and elevating legrests are length adjustable. A simple thru-bolt provides quick and easy adjustments.



**Elevating Legrests-** Some models are equipped with elevating legrests. Adjust the calfpad to any one of five positions to provide best comfort.

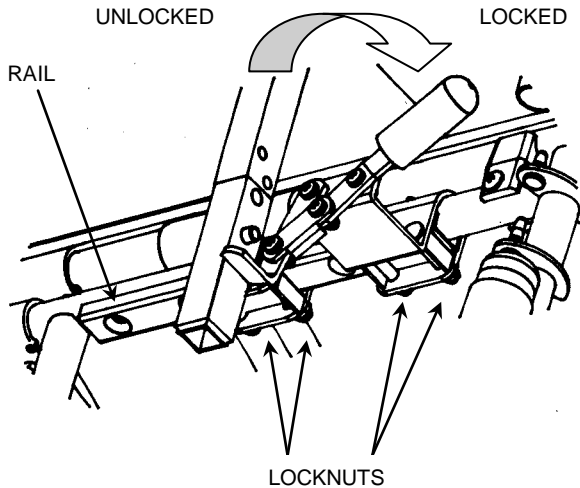
**Swingaway Footrests-** On wheelchairs equipped with swingaway footrests, activate the black swingaway release lever and the assembly will swing to the side. This feature permits easy entrance and exit to the chair.



**Wheel Locks-** As tires wear, adjust locks to prevent rear wheels from turning when locks are engaged. To adjust, loosen the locknuts located behind the clamp bracket. Slide clamp on rail to the proper position. Retighten the locknuts. If wheel locks become worn, replace them.

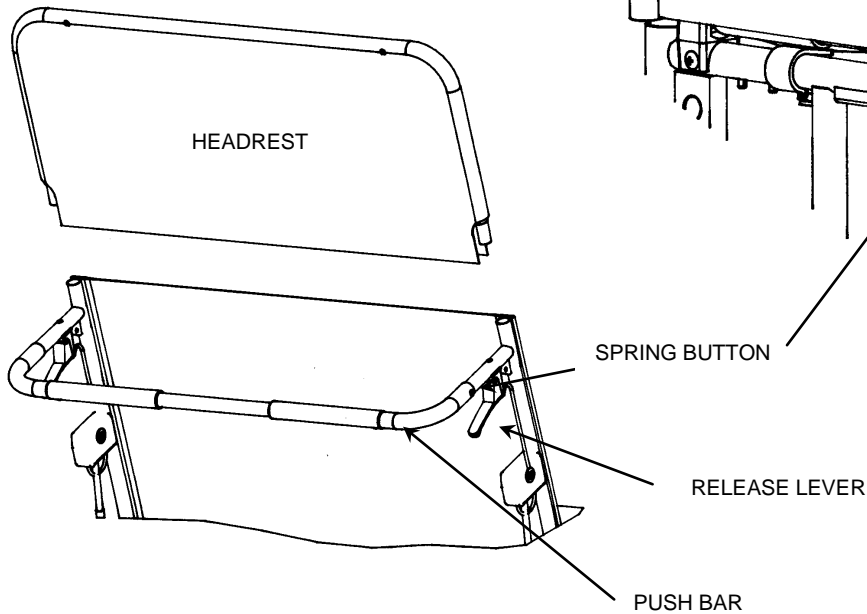
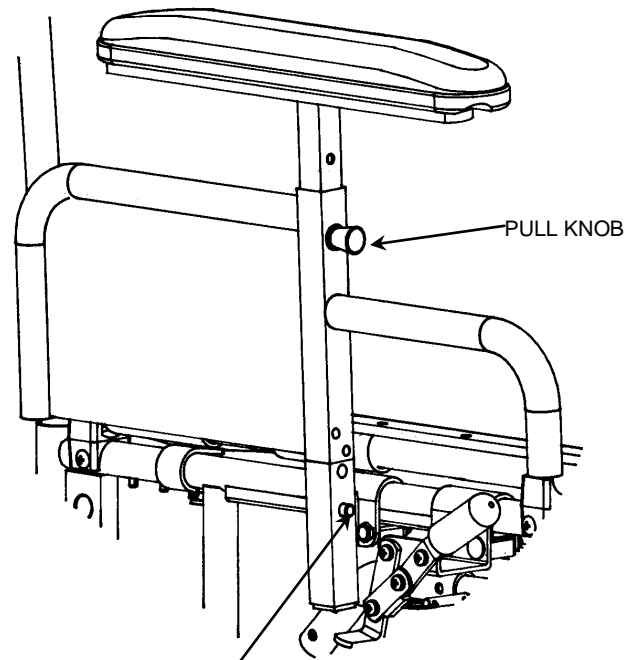
**Caution!**

ALWAYS ENGAGE WHEEL LOCKS WHEN ENTERING OR EXITING CHAIR.



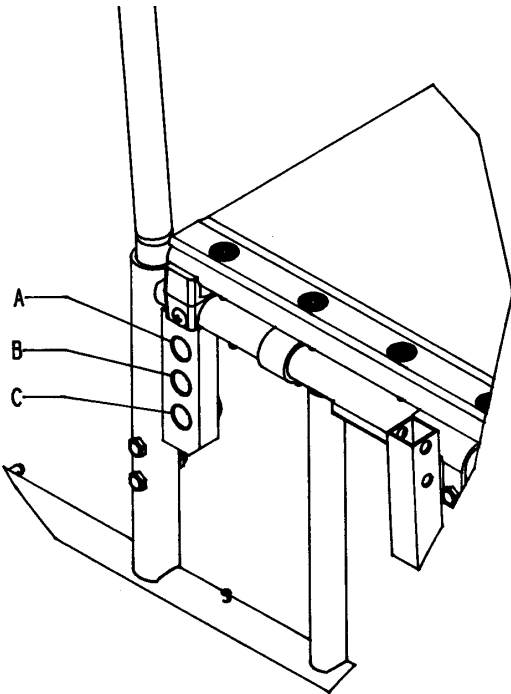
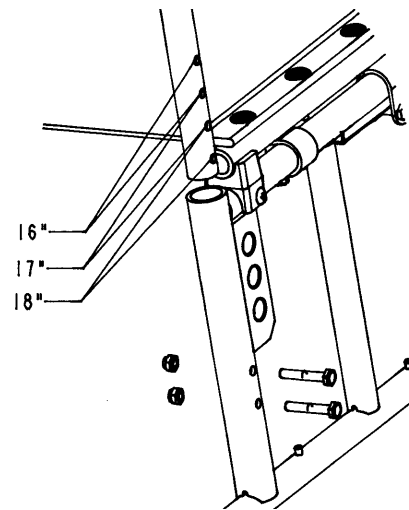
**Armrests-** Cushioned armrests are designed to be comfortable and durable. To maintain appearance and comfort, replace armrest if they become cracked, worn, or discolored. All armrests are adjustable from front to rear along the rail by loosening the two locknuts behind the clamp bracket shown to the left. To adjust the height on the optional adjustable armrest, pull the pull knob and move upper armrest up or down. Release knob when desired height is achieved and make sure it clicks into place. To remove the armrests push the spring button and pull the arm out of the socket. The spring button adjustment on the lower arm is set at the factory and should not be changed. All chairs EXCEPT for those with 16" seat to floor height use lower spring button hole.

**Reclining Back Models-** Open wheelchair, install headrest and push bar shown below. Make sure spring buttons are fully extended through handles before use. This chair must never be used without both headrest and push bar installed. To adjust back angle, grasp both pusher handles securely and pull both release levers at the same time. Gently lower or raise the back to the desired height, then release the levers.



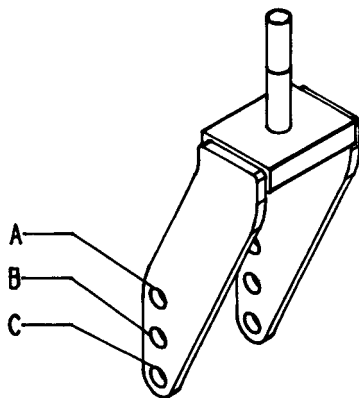
**Backrest-** Backrests on all models are height adjustable by removing the two bolts and locknuts shown in the diagram to the right. Do not set the backrest to any position other than the ones illustrated here, and always use both bolts and locknuts.

**Rear Wheels-** Rear wheel position is adjustable to change seat to floor height. If these settings are changed, the caster settings must also be changed to keep a safe seat angle. Use the chart below to attain proper wheel position for desired seat height. For safe operation of wheelchair only use these settings.



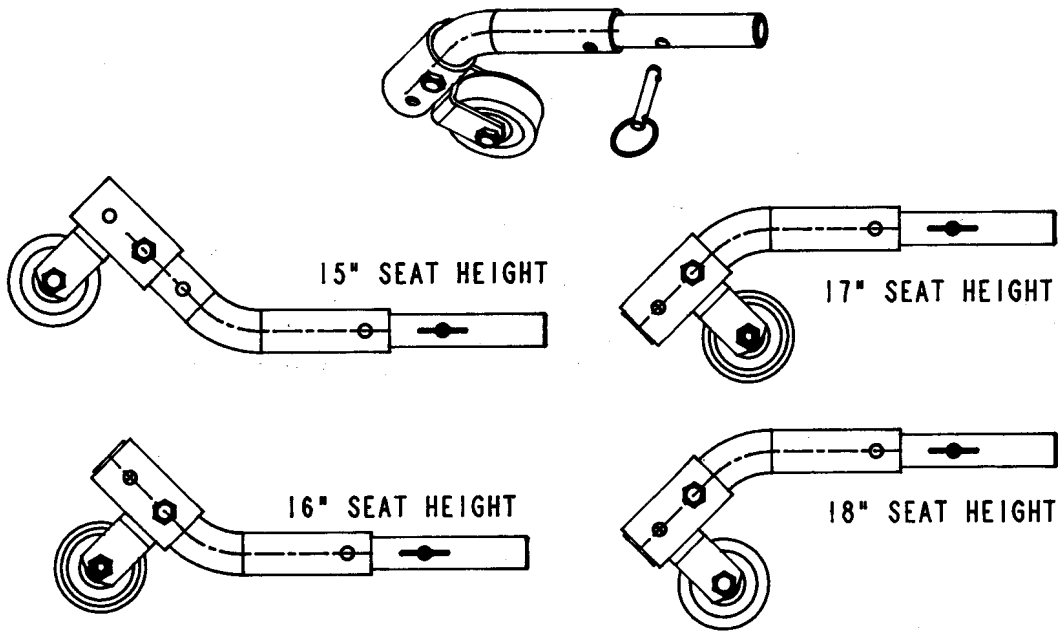
	20" WHEEL SEAT HEIGHT	24" WHEEL SEAT HEIGHT
A	NA	16"
B	15"	17"
C	NA	18"

**Castors-** Caster wheel position is adjustable to match rear wheel settings. Use the chart below to match correct wheel position with desired seat height. For safe operation of wheelchair only use these settings.

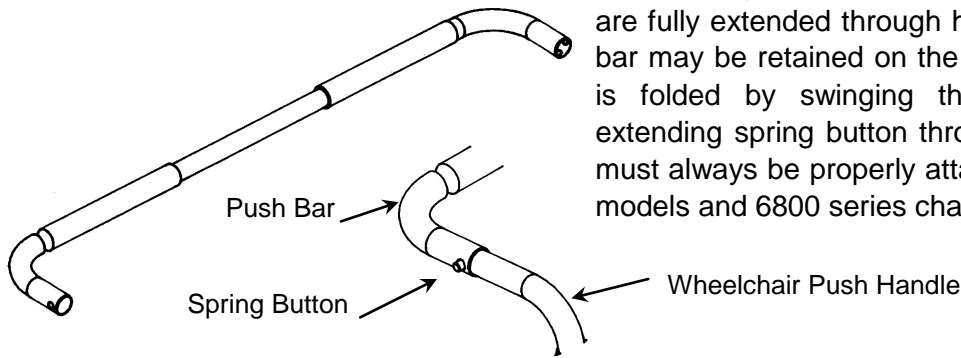


	6" WHEEL SEAT HEIGHT	8" WHEEL SEAT HEIGHT
A	15"	16"
B	NA	17"
C	NA	18"

**Anti-Tip-** (optional) Anti-tip settings are shown below. These settings must match the illustrations for your wheelchair's seat height. If seat height is changed make sure the anti-tip settings are changed. All anti-tips are the same for each seat height, only configuration defines correct anti-tip for your wheelchair's seat height.



**Push Bar-** (optional except on reclining back models and 6800 series) Push bar is inserted over wheelchair pusher handles. Make sure spring buttons are fully extended through handles before use. Push bar may be retained on the left side while wheelchair is folded by swinging the push bar down and extending spring button through push bar. Push bar must always be properly attached to all reclining back models and 6800 series chairs while in use.



**Adjusta-Front-** (6800 series only) The foot rests or leg rests are adjustable across the full width of the wheelchair. Slide the riggings across the front for the most comfortable placement. To enter or exit the chair, slide the front riggings out of the way. To attach riggings; lift lock levers, hang rigging slots over pins and push until fully engaged with pins. To lock riggings in place move the lock lever down. Adjusta-Front must always be installed while chair is in use.

