

# CHAMPION™

Quality Healthcare Seating Products

## Ascent II

MEDICAL RECLINER/TRANSPORTER

RATED UP TO 300 LBS.

Part #670 MANUAL RECLINER  
Part #67P POWER RECLINER

ARMS  
OPEN  
180°



Shown with optional second side table.

All steel, powder-coated frame for durability.

Z-spring construction for greater comfort.



Swing-away arms make lateral patient transfer and infection control easier.



### STANDARD FEATURES

Swing-away arms

Fold-away side table (one)

Push handle

Retractable foot tray

4" twin wheel casters

Wall-hugger mechanism (infinite recline positions)

Quick-release seat

4" twin wheel casters



Wall-hugger recline mechanism



Quick-release seat



Luxe and stylish, the Ascent II recliner puts a new twist on serious medical seating. The curved top-line of the seat back offers additional head room while the “wing-back” design adds style and customization options for designers. Standard features such as swing-away arms and a removable seat aid in meeting infection control goals, and four-inch, twin wheel casters are corrosion resistant and roll with ease.

### STANDARD VINYL SELECTION



Natural  
T09



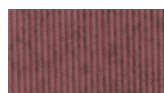
Aquamarine  
T19



Bonnie Blue  
T21



Iced Mint  
T26



Tearose  
T43



Colonial Blue  
T45



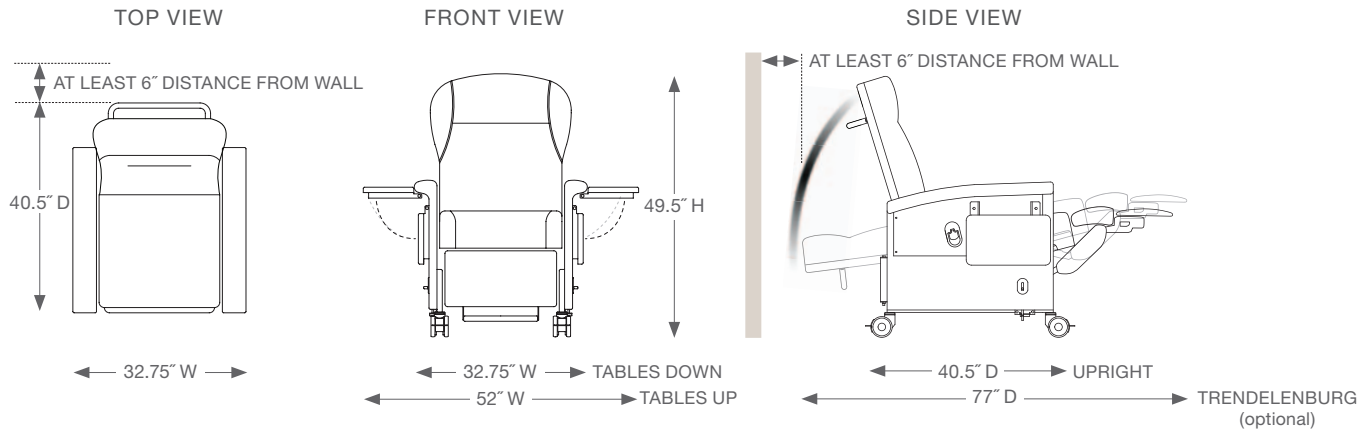
Gray  
T56



Cranberry  
T96

Printed color swatches may not be an exact match to actual fabrics and are enlarged to show detail.

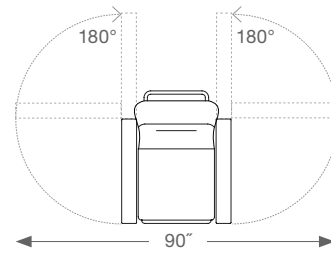
## SPACE REQUIREMENTS



## SPECIFICATIONS

Weight capacity	300 lbs.
Back height (from floor/seat)	49.5"/28.75"
Overall width (2 tables down/up)*	32.75"/52"
Seat width	22.5"
Arm height (from floor, front/back)	29"/26"
Seat height/depth	24.5"/20.5"
Upright overall depth (w/handle)	40.5"
Twin wheel casters	4"

## TOP VIEW WITH SWING-AWAY ARMS



## OPTIONS

Trendelenburg (T)

Additional fold-away side table (S7)

Arm cap – (E)

Cupholder – on all tables (C), on one of two tables, specify CUP-HOLDER (right or left)

Heat (J) – (670 manual model only)

Heat and massage (JM)

Cal 133 fire barrier (3)\*\*

Vinyl upgrades

Champion, graded vinyl selections\*\*\*

Customer's own material (COM)

PVC-free material

Battery backup (BATTERY) – (67P model only)

Dual-hand control (DUALACT-PWR) – (67P model only)

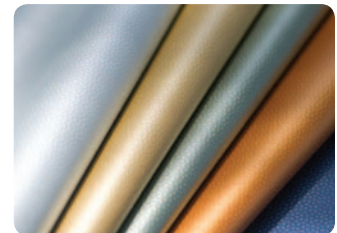
\*Measured with both arms closed.

\*\*Contact Champion for a list of fire-tested vinyls. Not available with two-tone vinyl option.

\*\*\*For available patterns and colors for graded vinyl selections, please contact your Champion sales representative.



HEAT OR HEAT/MASSAGE



VINYL UPGRADES



TRENDELENBURG



ARM CAP

## ACCESSORIES

Provide your patient the best care and comfort with an over-the-lap tray, cup holders, head pillow/lumbar support, cushion wedge/arm support, footrest extender, TV mount, IV poles or an oxygen tank holder.

For a complete list of our accessories, please see our *Accessories* brochure or ask your Champion sales representative for more information.

# CHAMPION™

Information contained in this literature is based on the latest product data available at the time of printing. Photography, artwork, text and specifications are subject to change. Photography may show optional items. Due to photographic and printing processes, product colors in this brochure are not necessarily accurate. Champion Manufacturing, Inc. reserves the right to make changes to colors, materials, prices, standards, options, equipment and any specification at any time without notice or obligation. Contact Champion direct for additional information and the latest specifications.