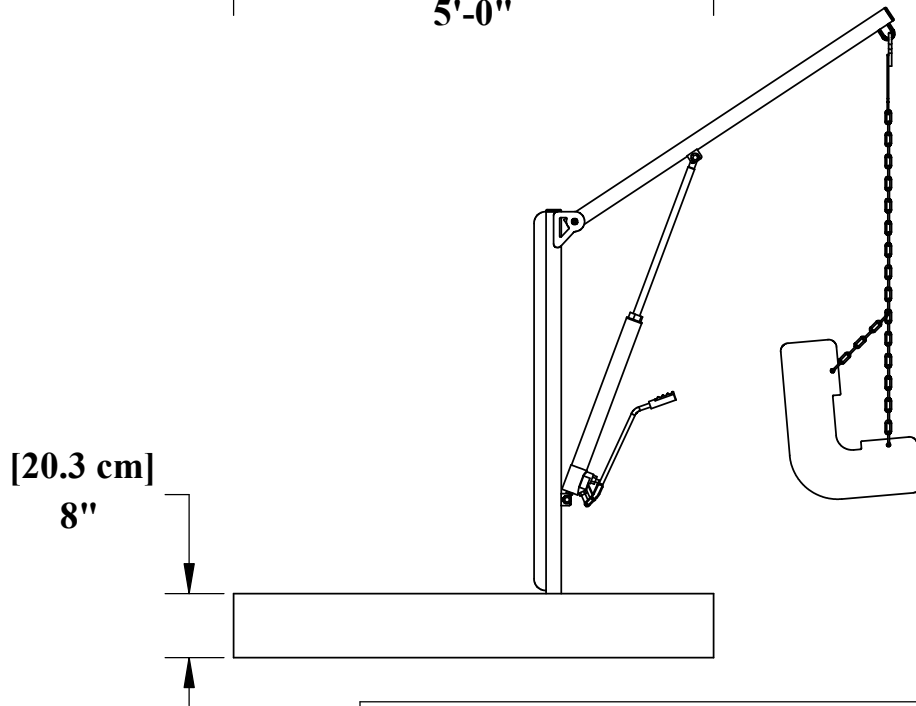
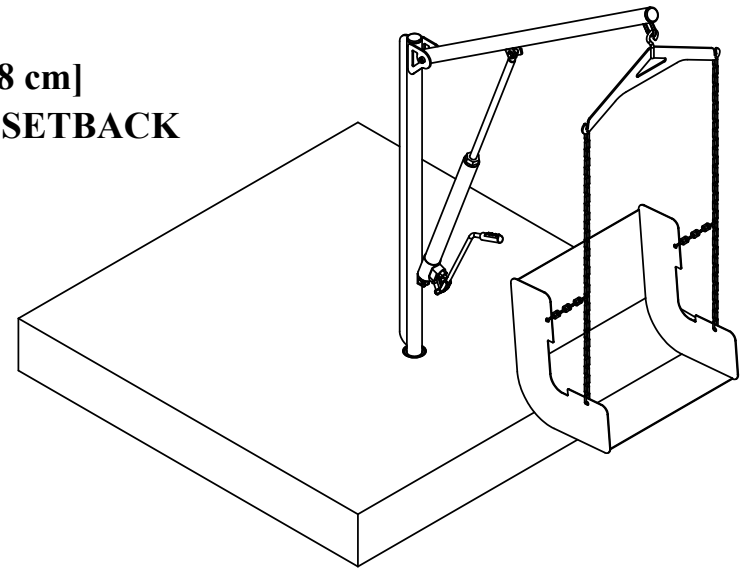
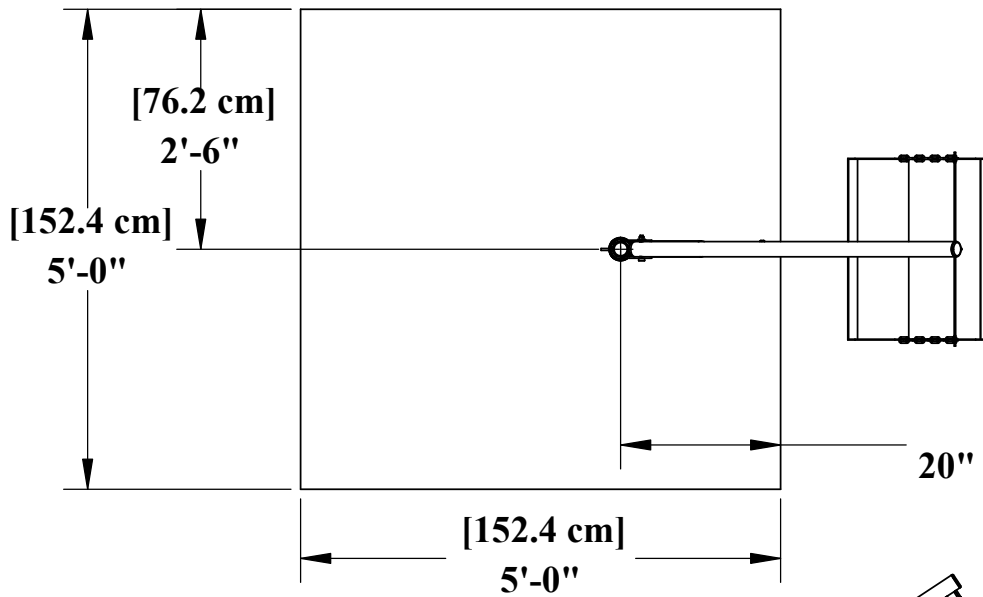


NOTE: THIS DRAWING SHOWS THE AQUA CREEK EZ POOL LIFT WITH THE MINIMUM RECOMMENDED CONCRETE PAD. ANY OTHER PAD SHOULD BE AT LEAST AS WIDE, LONG AND THICK AS THE EXAMPLE SHOWN IN THIS DRAWING.



PROPRIETY AND CONFIDENTIAL INFORMATION

THIS DRAWING AND ALL INFORMATION CONTAINED HEREIN IS THE SOLE PROPERTY OF AQUA CREEK PRODUCTS LLC. ANY REPRODUCTION IN PART OR AS A WHOLE WITHOUT WRITTEN PERMISSION FROM AQUA CREEK IS PROHIBITED.

TOLERANCES:
 DIMENSIONS ARE IN INCHES
 UNLESS OTHERWISE SHOWN
 FRACTIONAL: ±1/16
 ANGULAR: ±1°
 TWO PLACE DECIMAL: ±.01
 THREE PLACE DECIMAL: .. ±.005

AQUA CREEK PRODUCTS LLC
 9889 GARRY MORE LANE
 MISSOULA, MT 59808
 406-549-0769
 1-888-687-3552

DESCRIPTION:
EZ POOL LIFT CONCRETE PAD

| | | |
|------------|-----------|--------|
| SCALE:1:24 | 12/3/2009 | 1 of 1 |
|------------|-----------|--------|