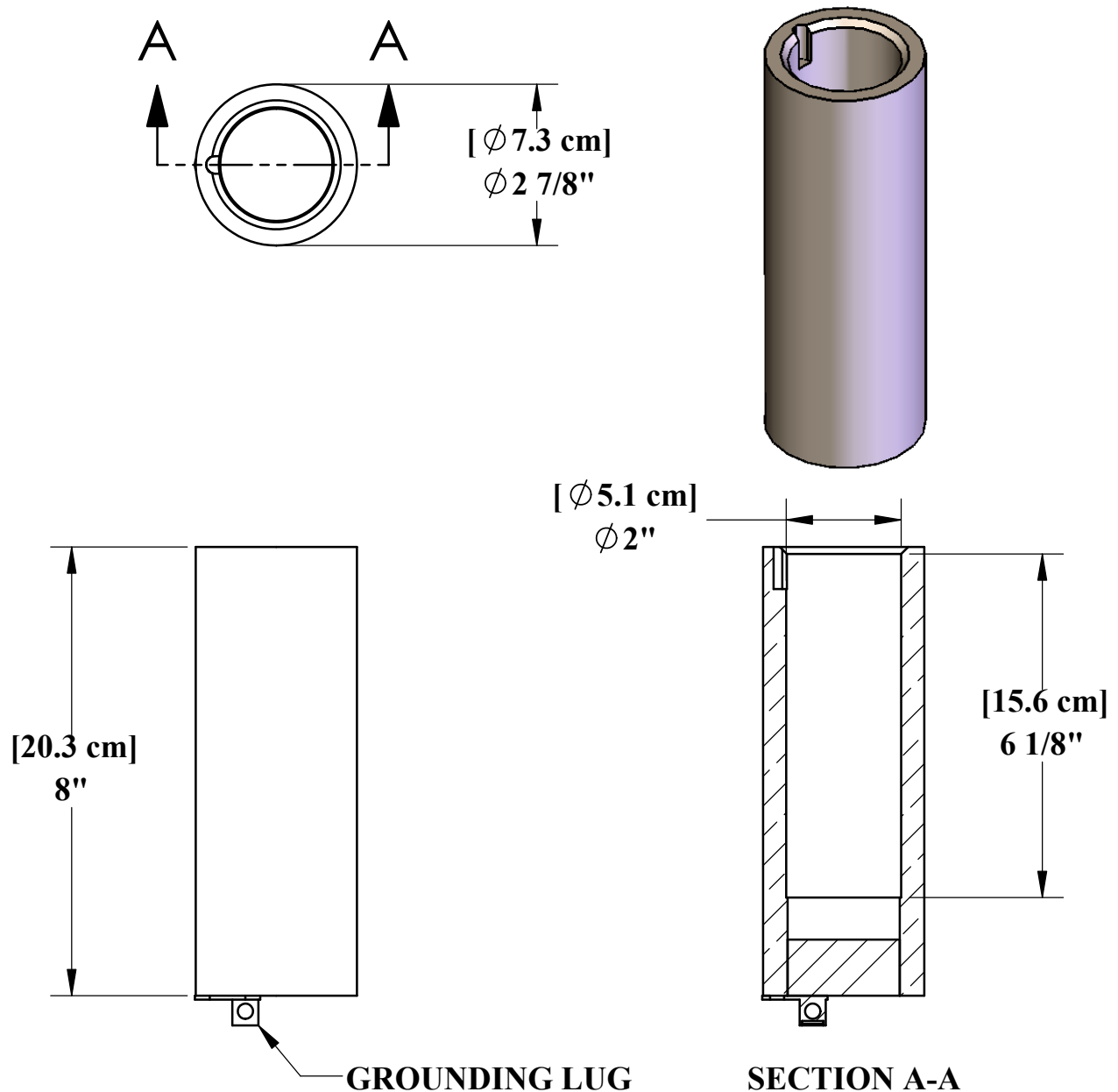


# REVOLUTION ANCHOR



## SPECIFICATIONS

THE REVOLUTION LIFT ANCHOR SHALL BE CONSTRUCTED OF BRONZE WITH A COPPER GROUNDING LUG. THE O.D. OF THE ANCHOR SHALL BE 2-7/8" [7.3 cm], AND SHALL ACCOMMODATE A 2" [5.1 cm] DIAMETER, 6" [15.2 cm] LONG POST. A PROTECTIVE, STAINLESS STEEL CAP SHALL BE INCLUDED FOR WHEN NOT IN USE.



9889 GARRY MORE LANE  
 MISSOULA, MT 59808  
 (406) 549-0769  
 FAX (406) 549-2602

NOTE:  
 \*SPECIFICATIONS ARE SUBJECT TO CHANGE WITHOUT NOTICE  
 \*ALL DIMENSIONS ARE IN INCHES

PRODUCT:	F-710RLA	
DWG #:	F-710RLA-1	
SCALE:	1:3	DATE: 9/25/08
DRAWN BY:	DS	REVISION: B