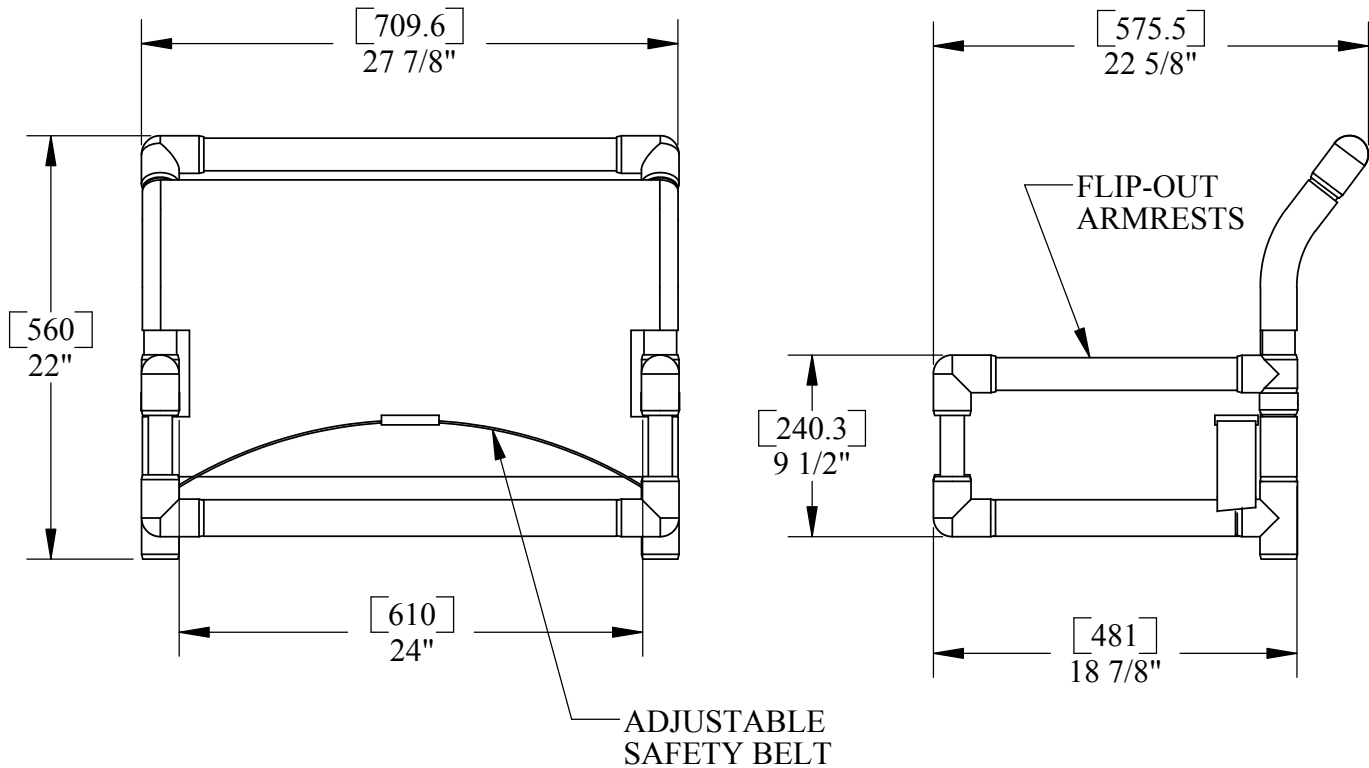


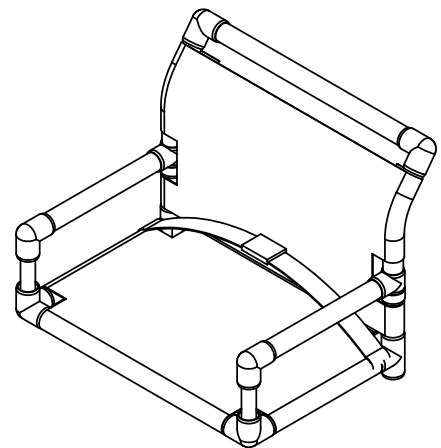
HEAVY DUTY 24" SEAT ASSEMBLY (FOR POOL & SPA LIFTS)



SPECIFICATIONS

THE AQUA CREEK WIDE HEAVY DUTY 24" SEAT ASSEMBLY SHALL HAVE A SEAT WIDTH OF 24" (610mm) MINIMUM. IT SHALL HAVE A LOAD RATING OF 400 LBS (178 kgs). IT SHALL BE CONSTRUCTED OF FURNITURE GRADE PVC TUBING AND POLYESTER MESH COMPONENTS. IT SHALL COME STANDARD WITH A SAFETY BELT AND DUAL SWING-OUT ARMRESTS. IT SHALL BE A WIDE SEAT OPTION FOR MOST AQUA CREEK LIFTS.

SEAT FRAME: \varnothing 1.7" [43mm] FURNITURE GRADE PVC TUBING
 SEAT BACK/BOTTOM: HEAVY DUTY POLYESTER MESH
 SAFETY BELT: HEAVY DUTY POLYESTER MESH
 FASTENERS: STAINLESS STEEL



3015 W. RAILROAD ST. #8
 MISSOULA, MT 59808
 (406) 549-0769
 FAX (406) 549-2602

NOTE:
 *SPECIFICATIONS ARE SUBJECT TO CHANGE WITHOUT NOTICE
 *ALL DIMENSIONS ARE IN INCHES



PRODUCT:	F-134HDS	
DWG #:	F-134HDS	
SCALE:	1:10	DATE: 06/01/07
DRAWN BY:	DS	REVISION: A