



Freedom Accessible Shower Pan 60" x 31"

Model APF6030BFPAN

60" x 31" x 4 1/2"

One Piece Shower Pan

1" barrier free threshold with pre-leveled and reinforced shower base for easy installation

Textured Floor

Durable, luxurious and easy to clean applied acrylic

Accessories available:
Grab bars, folding shower seat, collapsible water retainer, weighted shower curtain and rod, slide bar with handheld shower, pressure balance valve, caulkless drain



Left drain shown

Lifetime Limited Warranty

FREEDOM SHOWERS

MODEL: APF6030BFPAN Freedom Accessible Shower Pan

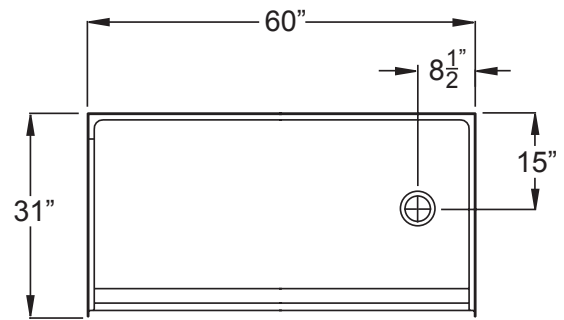
Submittal Data

Product Features

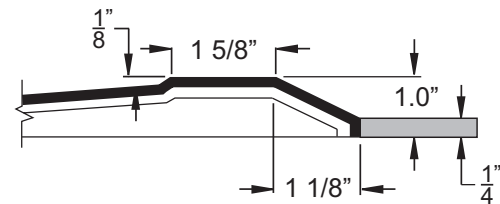
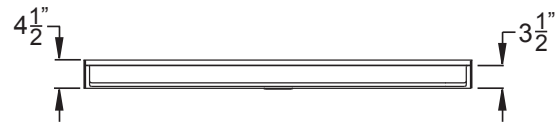
- 60" x 31" x 4 1/2"
- 1" barrier free threshold.
- Self-supporting and pre-leveled shower base eliminates mud setting.
- Easy to clean applied acrylic
- Textured slip-resistant floor
- Left or right drain location

Code Compliance

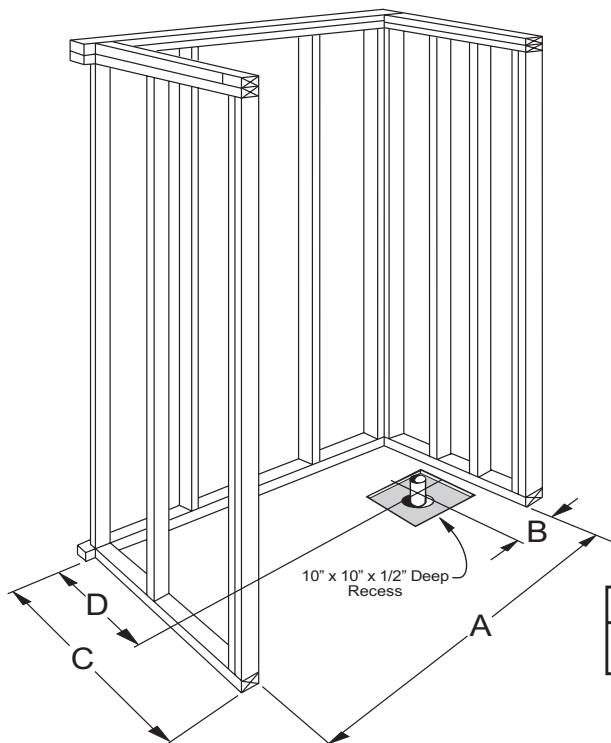
- IPC International Plumbing Code
- UPC Uniform Plumbing Code
- ANSI Z124.2 Standards for Plastic Showers
- CSA



Right drain shown



THRESHOLD VIEW



| A | B | C | D |
|---------|--------|---------|-----|
| 60 1/4" | 8 1/2" | 31 1/4" | 15" |