

Freedom ADA Roll-In Shower 62" x 33"

Model APF6233BF-F75
APFQ6233BF-F75



62" x 32.75" x 78 1/2" OD
60" x 30" ID

One Piece Shower

3/4" barrier free threshold with pre-leveled and reinforced shower base for easy installation

Textured Floor

Durable, luxurious and easy to clean applied acrylic

Fully reinforced walls offer strength and easy installation of accessories

Shower is ADA compliant when installed with available ADAAG accessories.

Lifetime Manufacturer's Limited Warranty

Accessories available:
Grab bars, folding shower seat, collapsible water retainer, weighted shower curtain and rod, slide bar with handheld shower, pressure balance valve, caulkless drain, soap dish.

FREEDOM SHOWERS

MODEL: APF6233BF-F75, APFQ6233BF-F75 Freedom Roll-In Shower

Submittal Data

Product Features

- 62" x 32.75" x 78 1/2"
- One piece shower
- 3/4" barrier free threshold
- Self-supporting and pre-leveled shower base eliminates mud setting
- Fully reinforced walls
- Smooth wall easy to clean applied acrylic
- Textured slip-resistant floor
- Center drain location

Code Compliance

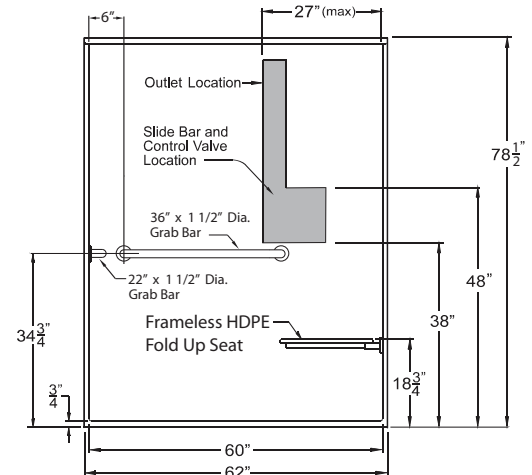
- ADAAG
- ADA
- ANSI/MN

Optional Accessories (factory installed)

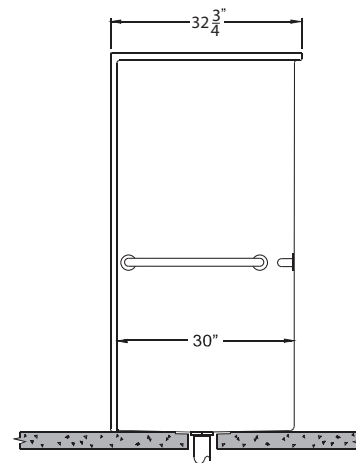
- Grab bars
- Folding shower bench
- Curtain rod
- Slide bar with hand held shower and valve
- Soap dish

Optional Accessories (Installed at job site)

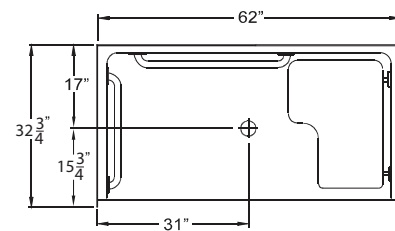
- Collapsible Water Retainer
- Drain
- Shower Curtain



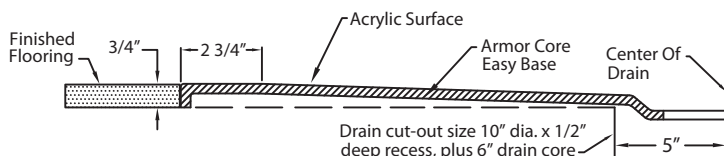
Front View



Side View

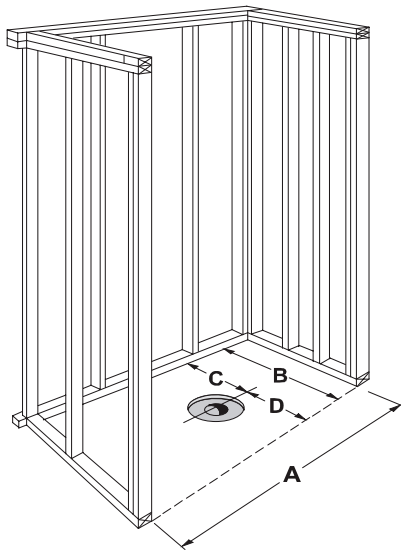


Top View



FREEDOM SHOWERS

MODEL: APF6233BF-F75, APFQ6233BF-F75 Freedom Roll-In Shower Submittal Data - Installation



FRAMING DIMENSIONS

A	B	C	D
62 ¹ / ₄ "	32 ³ / ₄ "	17"	15 ³ / ₄ "

10" Diameter x 1/2" Deep Recess Around Drain Core

DETAIL OF DRAIN CORE AREA

4" To 6" Diameter Drain Core Through Slab.

10" Diameter x 1/2" Deep Recess Around Core

