

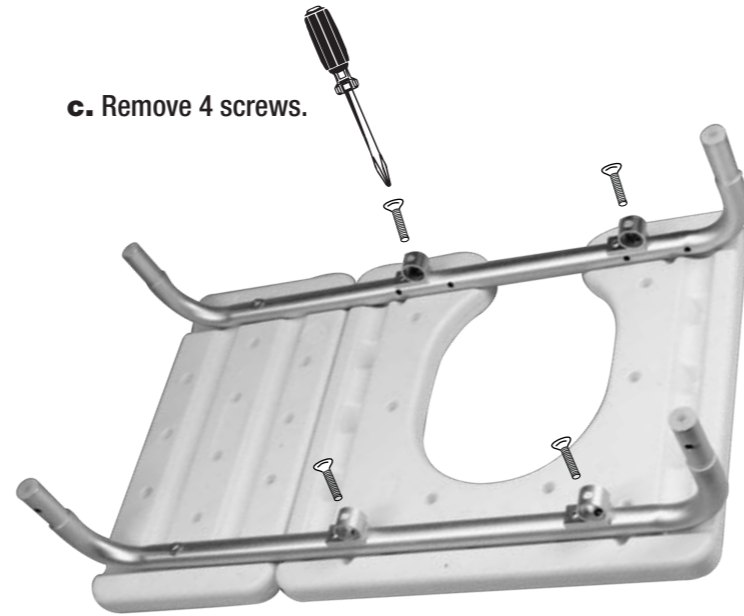
OUTSIDE

TO SWITCH COMMODE SEAT DIRECTION:

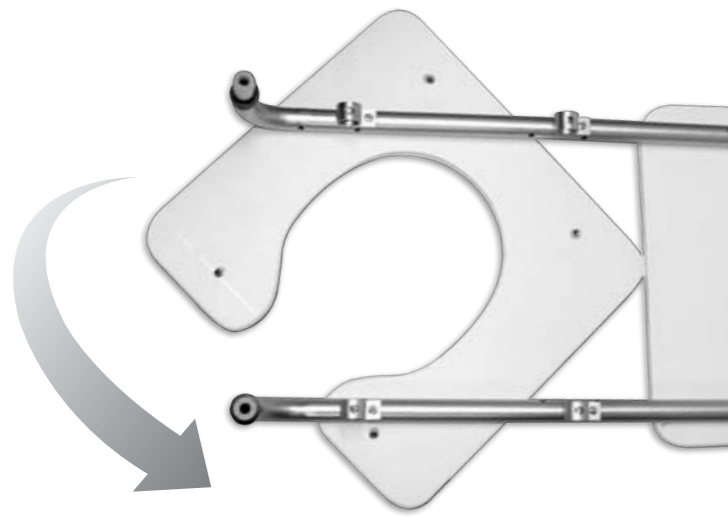
- a. Remove commode bucket holder frame.
- b. Remove seat back (L-Bars).



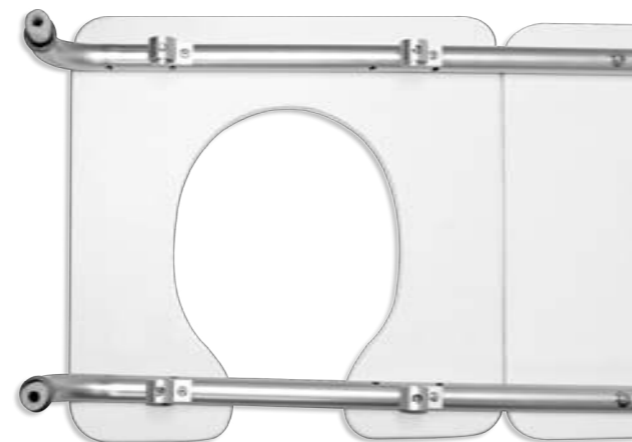
- c. Remove 4 screws.



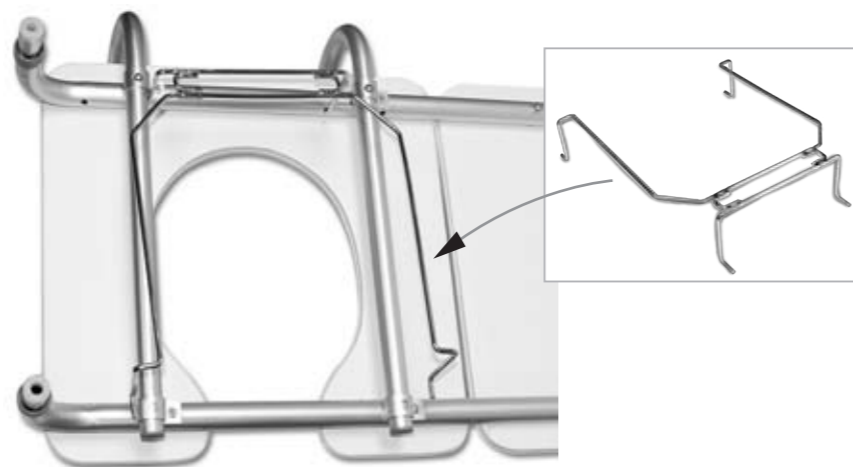
- d. Rotate seat.



- e. Re-Attach 4 screws.



- f. Replace seat back noting direction.
- g. Replace commode bucket holder frame

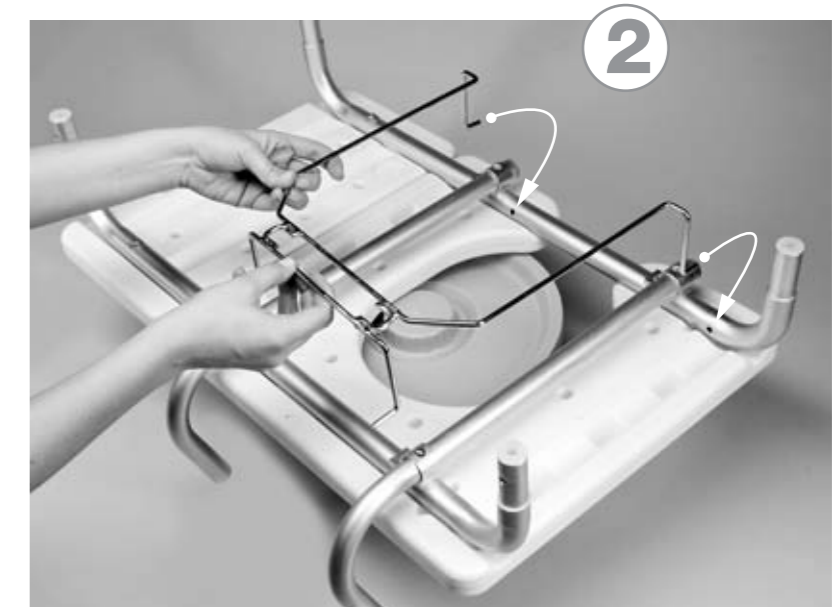
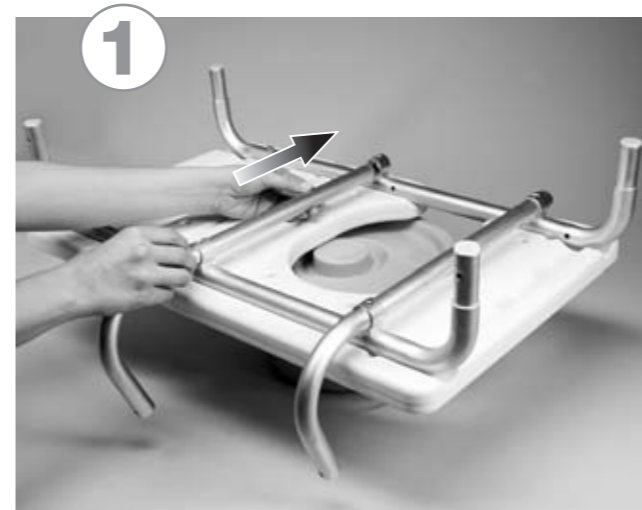


INSTALLATION

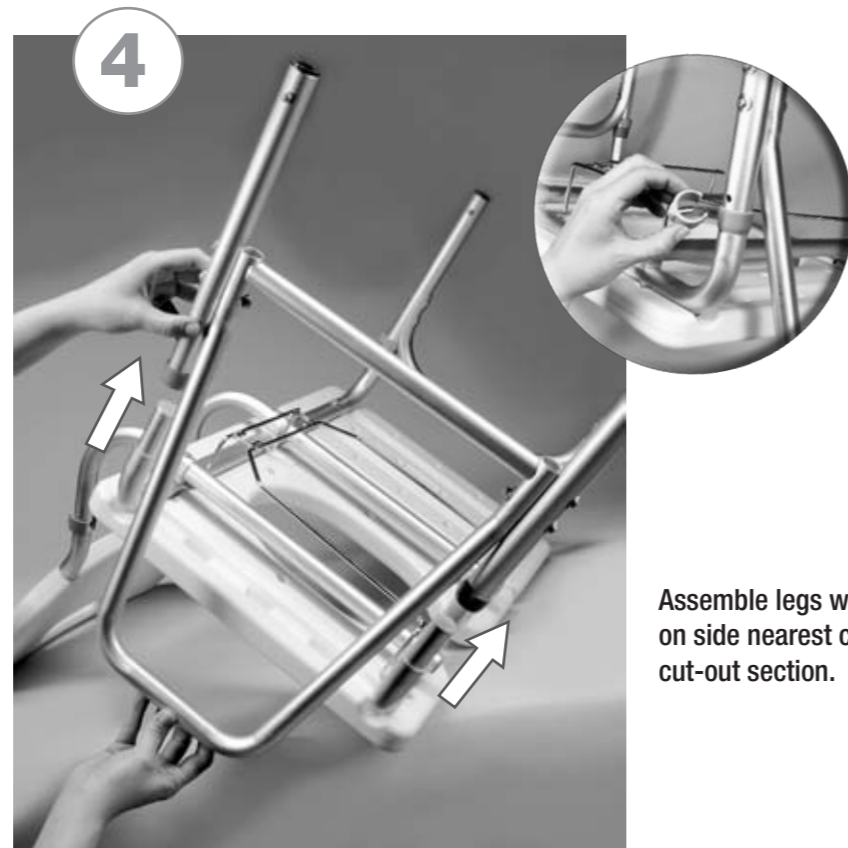


NOTE: BEFORE ASSEMBLY, SEE BACK PAGE TO SWITCH FOR RIGHT OR LEFT HAND USE.

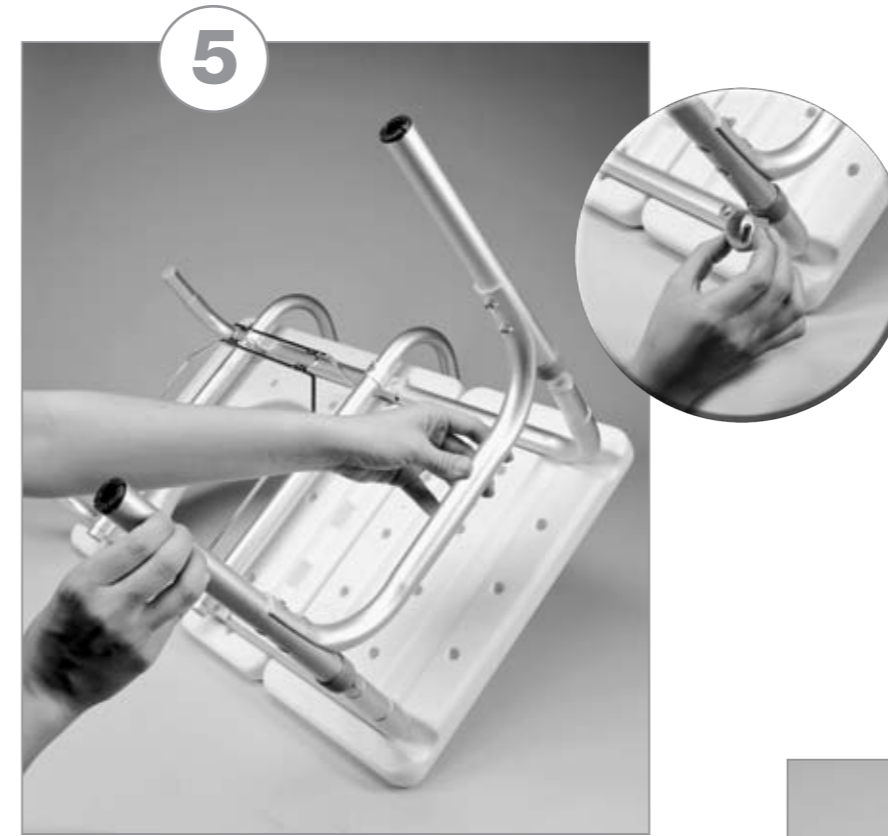
Suggest installing near the bathtub to determine seat back and handle bar left or right placement.



INSIDE



Assemble legs with armrest on side nearest commode cut-out section.



! Clips must be secured on all 4 legs.

Assemble legs without armrest on side away from commode cut-out section.



Slide leg attachments with tips onto bottom of all four legs. Make sure pin has clicked into holes and that all legs are level.



Slide in commode bucket.

Carex Health Brands



Carex Health Brands

All Rights Reserved
© 2009 Carex Health Brands
40-B152-11_00