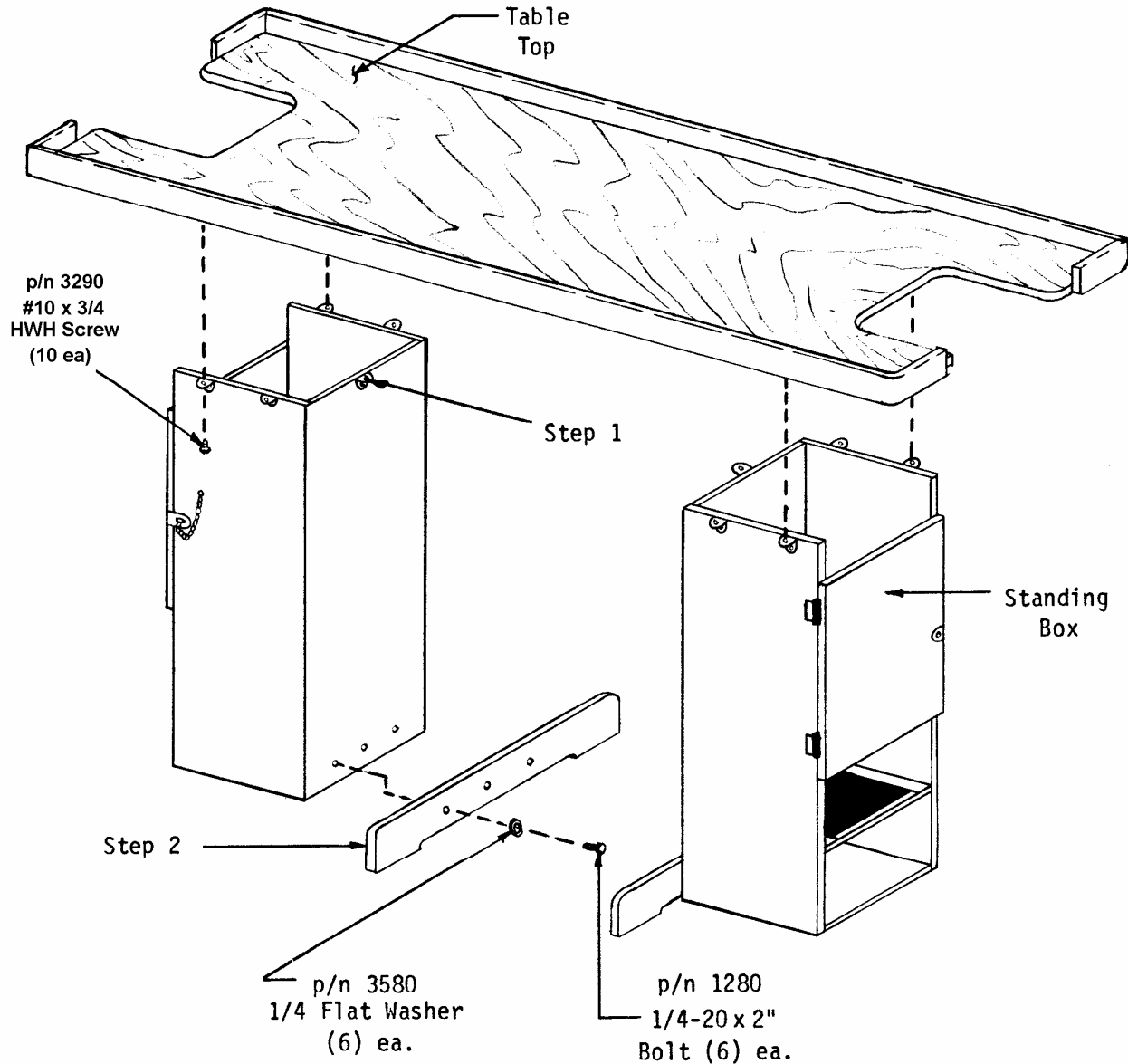


Model 362 Child Two Place Standing Table Assembly Instructions



- Step 1. For shipping purposes one angle is reversed, turn angle around to match existing (4) angles.
- Step 2. Attach stabilizers to standing boxes as shown using hardware (supplied).
- Step 3. Arrange standing boxes as shown, align top to boxes and match angles to predrilled holes under table top and fasten down with hardware (supplied).