

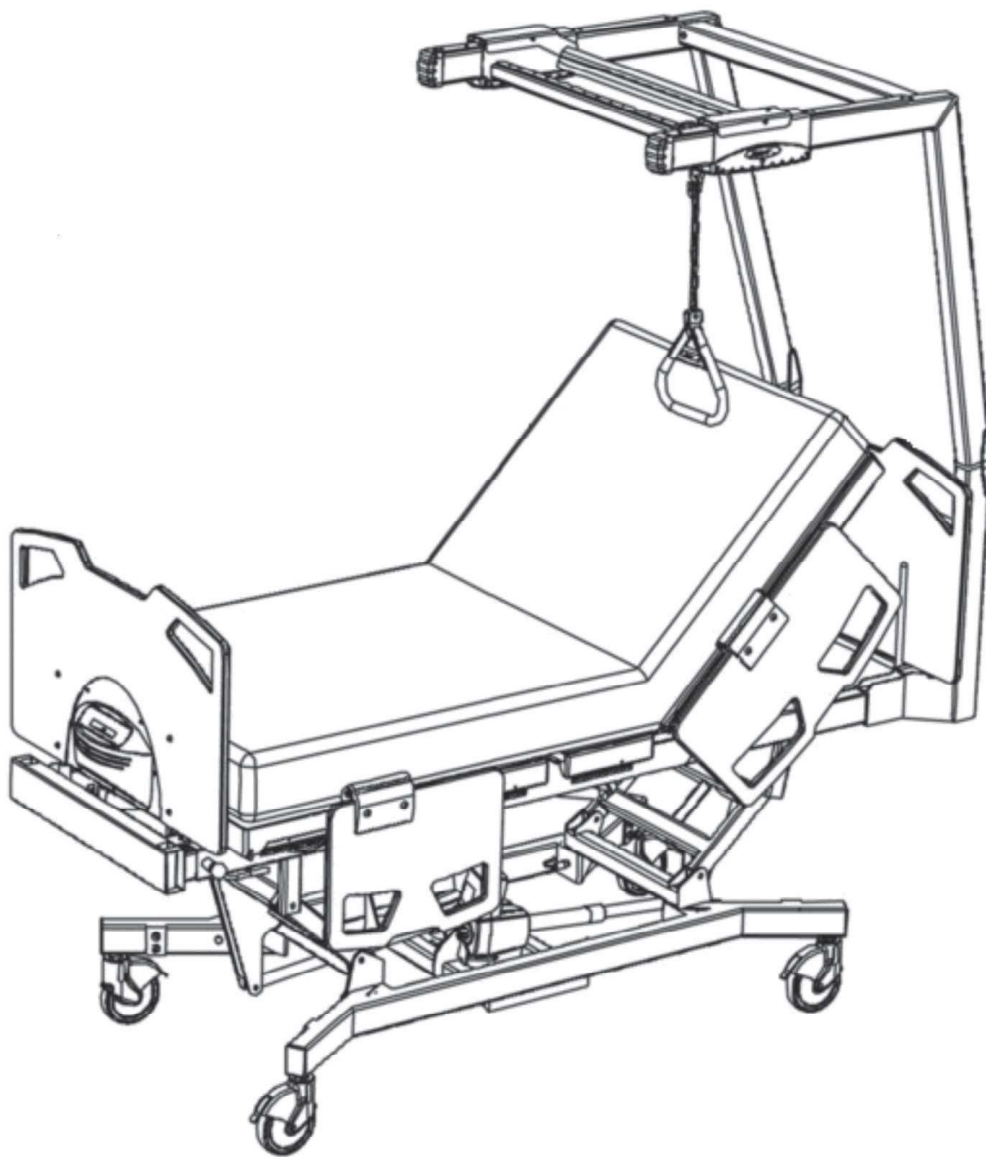


# User-Service Manual

## Joerns® Bed Frames

### Bari10A Patient Helper

To avoid injury, read user's manual before using.



**Patient Helper**  
leading bed evolution

WOUND  
SOLUTIONS

SAFETY  
SOLUTIONS

DESIGN  
SOLUTIONS

## Important Precautions

- ⚠ **Warning: Possible Injury.** Before adjusting bed, ensure that area under and near bed perimeter is free of people and obstructions. Failure to do so could result in injury.
- ⚠ **Warning: Possible Injury.** Keep bed in lowest position except when providing care (bathing, clothing changes, etc.). Bed should be at lowest convenient height for entry or exit. Failure to do so could result in injury.
- ⚠ **Warning: Possible Injury Or Death.** Floor locks increase bed stability and patient safety. Floor and caster swivel locks must be locked prior to any patient transfer or patient use of the bed. Failure to do so could result in injury or death.
- ⚠ **Warning: Possible Injury Or Death.** Do not exceed the bed frame's safe working load. This is total weight counting patient, mattress, bedding and any other equipment - including the patient helper or persons likely to be on bed. Exceeding the safe working load could result in property damage, injury or death. See bed frame manual for safe working load.
- ⚠ **Warning: Possible Injury or Death.** If a patient's mental or physical condition could lead to patient entrapment, the Mattress Support Platform should be left in the flat position when unattended. Failure to do so could result in injury or death.
- ⚠ **Warning: Possible Injury Or Death.** Do not use any replacement parts not manufactured, marketed, or provided by Joerns Healthcare on any Joerns® bed or accessory. Use of unapproved replacement parts may result in injury or death.
- ⚠ **Warning: Possible Equipment Damage Or Injury To Staff Members.** Service and repair must only be performed by qualified, authorized Joerns Healthcare Technical Support personnel (call **800-966-6662**).

- ⚠ **Warning:** After installation of Patient Helper and before resident use, operate the bed from its highest through lowest position to assure proper clearance and operation
- ⚠ **Warning:** The Patient Helper adjustable carriage must be secured in place before patient use.
- ⚠ **Caution:** Stay clear of underneath the bed when adjusting or moving the bed.
- ⚠ **Caution:** Before transporting bed, lower the bed, unplug bed from power source, route Power Cord around Cord storage hooks on bed frame below Head Panel and hang Pendant Cord from Foot Panel. Failure to do so could result in Power Cord, Pendant Cord or bed damage, thereby creating a potential hazard. Failure to do so could result in Power cord, Pendant Cord or bed damage, thereby creating a potential hazard.
- ⚠ **Caution:** Whenever bed is moved, be alert as to potential interferences with lights, wall mounted televisions, door jams, etc.

When assessing the risk for entrapment, you need to consider your bed, mattress, Head/Foot Panels, Side Rails/Assist Device and other accessories, as a system. It is also extremely important to review the resident/patient's physical and mental condition and initiate an appropriate individual care plan to address entrapment risk. All Joerns bed systems are evaluated for compliance to the FDA/CDRH "Hospital Bed System Dimensional and Assessment Guidance to Reduce Entrapment." For more information, call Customer Care, 800-826-0270.

### Save These Instructions

**Thank you** and congratulations for choosing the Joerns Bari10A Patient Helper accessory. Joerns beds and accessories are developed with safety, comfort and convenience of both patients and caregivers in mind.

Advanced ergonomic design will provide years of reliable service in your facility.

## Table of Contents

Important Precautions .....	2
Entrapment Information .....	3
Features & Specifications .....	4
Assembly .....	5
Bed Operation .....	9
Cleaning, Inspection & Maintenance .....	10
Service Part Kits .....	11
Warranty .....	12

### Bed System Entrapment Information

Although essential in the practice of long-term care, bedside rails, in recent years, have also been a subject of regulatory review and evolution in design and use.

That focus includes not only the challenge of achieving an appropriate balance between resident security and unnecessary restraint, but also the additional safety issue of entrapment.

The U.S. Food and Drug Administration (FDA), working with our company and other industry representatives has addressed the potential danger of entrapment with new safety guidelines for medical beds. These guidelines recommend dimensional limits for critical gaps and spaces between bed system components.

Entrapment zones involve the relationship of components often directly assembled by the healthcare facility rather than the manufacturer. Therefore, compliance is the responsibility of the facility.

As the leading manufacturer of long-term care beds and a frontrunner in addressing this critical issue, Joerns Healthcare can offer you the expertise, assistance and products to bring your facility into compliance.

### Joerns® Compliance Solutions

Matching the right bed components in order to meet regulatory guidelines can be complex.

That is why Joerns offers a wide array of compliance options. We assist customers in selecting compliant accessories recommended for their specific bed model.

### Creating a Safer Care Environment

While the guidelines apply to all healthcare settings, (hospitals, nursing homes and at home), long-term care facilities have particular exposure since serious entrapment events typically involve frail, elderly or dementia patients.

### For More Information

To learn more about compliance options with Joerns products, visit our website at [www.joerns.com](http://www.joerns.com), or contact our Customer Care reps at 800-826-0270 and ask for free informational publications.

To learn more about entrapment zones, assessment methods and guidelines concerning entrapment, contact Joerns Healthcare at 800-826-0270 or consult the FDA website: <http://www.fda.gov/MedicalDevices/ProductsandMedicalProcedures/GeneralHospitalDevicesandSupplies/HospitalBeds/default.htm>.

## Introduction

Thank you for purchasing the Joerns Bari10A Patient Helper.

The Bari10A Patient Helper from Joerns Healthcare provides the very best in patient assisted mobility, with a look and functionality that assures your patients the dignity they deserve during hospitalization.

This high quality medical product, if properly installed and cared for will provide many years of trouble free service, and outstanding clinical performance.

Please take the time to read the contents of this manual BEFORE installing the Patient Helper also reference the Bari10A Bariatric Bed User-Service Manual. Afterwards, keep the manual in a safe place for future caregiver reference. Pay special attention to the sections detailing the instructions for proper use and safety instructions.

## Safety Summary

1. Do not install or use the Patient Helper without first reading and understanding the entire manual.
2. The Patient Helper is intended to be used in conjunction with the Bari10A Bed Frame. It is intended to provide support, increase stability while the patient is repositioning themselves; it is not intended to support the entire patient's weight.
3. Ensure the carriage assembly is securely seated in frame after adjusting.
4. After installation and before use, ensure all attaching hardware is tight and secure.
5. Always position the handle directly above the patient. The handle should be grabbed with both hands and pulled straight down. Do not pull the handle at an angle as injury may occur.

## Parts and Accessories

Use only Joerns Healthcare authorized parts and accessories. Do not modify the Patient Helper without authorization from Joerns Healthcare.

## Features and Specifications

### Joerns® Bari10A Patient Helper Features

- Safe Working load of 400 lb.
- Designed to work in conjunction with the Bari10A's fully articulated Mattress Support Platform. Also features an angled frame to avoid wall damage in the Trendelenburg position.
- Patient Helper handle can be positioned left and right as well as forward and back for enhanced patient comfort.
- Easy rear mounting using existing bed frame mounting locations.
- Integrated bed frame mounts.

### Weight:

Patient Helper Frame: ..... 200 lbs (91 Kg)  
 Safe Working Load: ..... 400 lbs (181 Kg)

### Overall Dimensions:

Overall Dimensions installed on bed.



	N170	N179
Depth	44¾" (113.5 cm)	35¾" (90.8 cm)
Width	40" (101.6 cm)	40" (101.6 cm)
Height	63¼" (160.7 cm)	63¼" (160.7 cm)

### Travel:

	N170	N179
Patient Handle Slider	29" (73.7 cm)	29" (73.7 cm)
Carriage Assembly	15¼" (38.7 cm)	6¼" (15.7 cm)

### Equipment Symbols

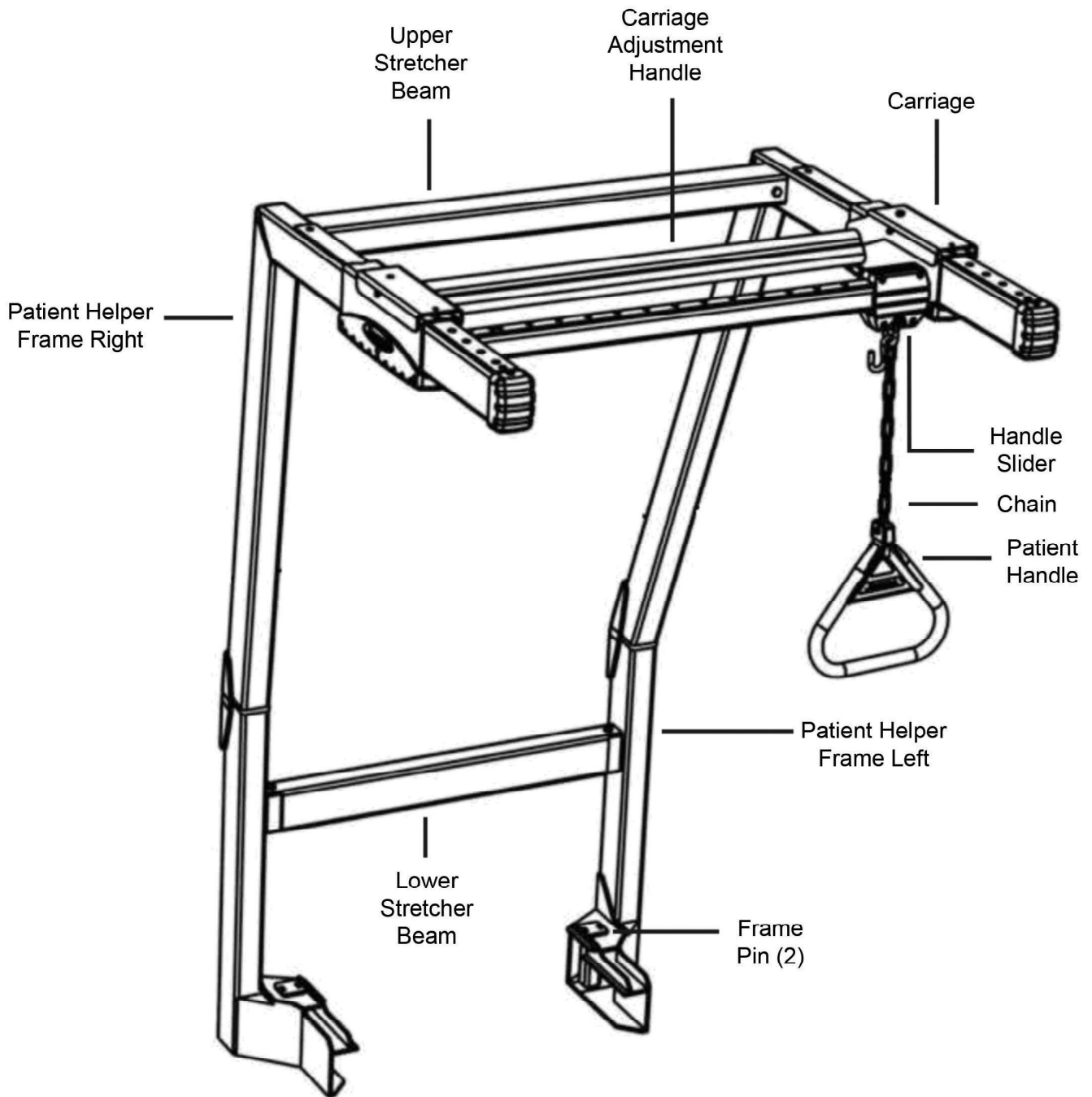
*Seen on bed*

	Refer to user manual
SN	Serial Number
	400 lbs (181 Kg) = Safe Working Load

## Accessories and Options

IV Rod

## Patient Helper Assembly



**Figure 1**  
**Patient Helper Assembly**

## Installation of Patient Helper

Lower bed to lowest position or a comfortable working height.

Use caution when maneuvering the components into position described in the following installation steps. Be aware of your surroundings and any potential obstacles.

### Step 1

1. Place the left Patient Helper Frame on the left side of the rear bed frame.
2. Drop (1) Frame Pin in place securing the left Patient Helper frame to the bed frame (Figure 2). Secure Frame Pin with hair pin.

### Step 2

1. Install lower stretcher beam to the left Patient Helper Frame, loosely bolt with 3/8" bolt and nylon locking nut (Figure 3).

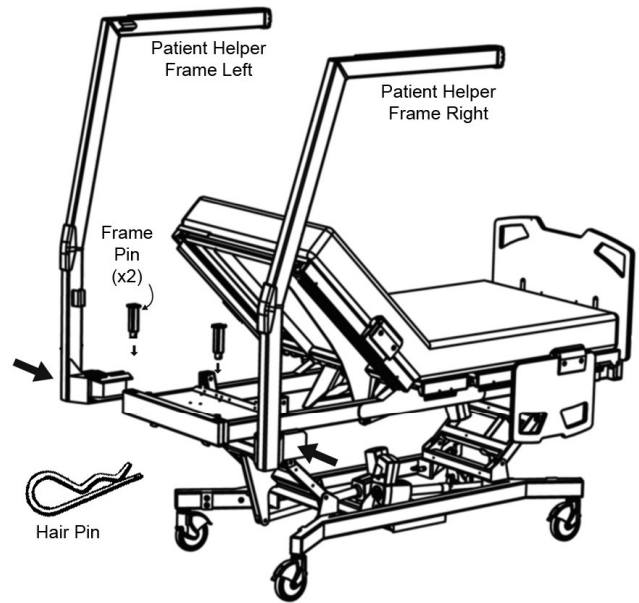


Figure 2

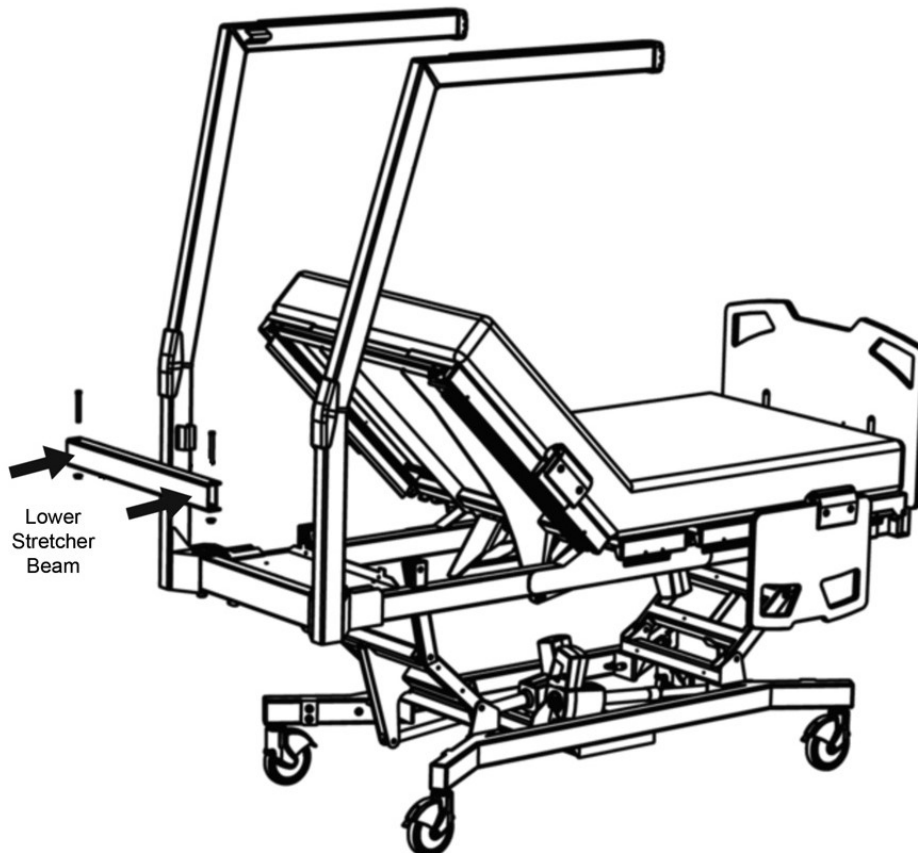


Figure 3

### Step 3

1. Place the right Patient Helper Frame on the right side of the rear bed frame.
2. Drop (1) Frame Pin in place securing the trapeze arm to the bed frame (Figure 4). Secure Frame Pin with hair pin.
3. Loosely bolt lower stretcher with 3/8" bolt and nylon locking nut.

### Step 4

1. Install upper stretcher beam to the Patient Helper Frame, loosely bolt with 3/8" bolts (2) and nylon locking nuts (2) (Figure 5)

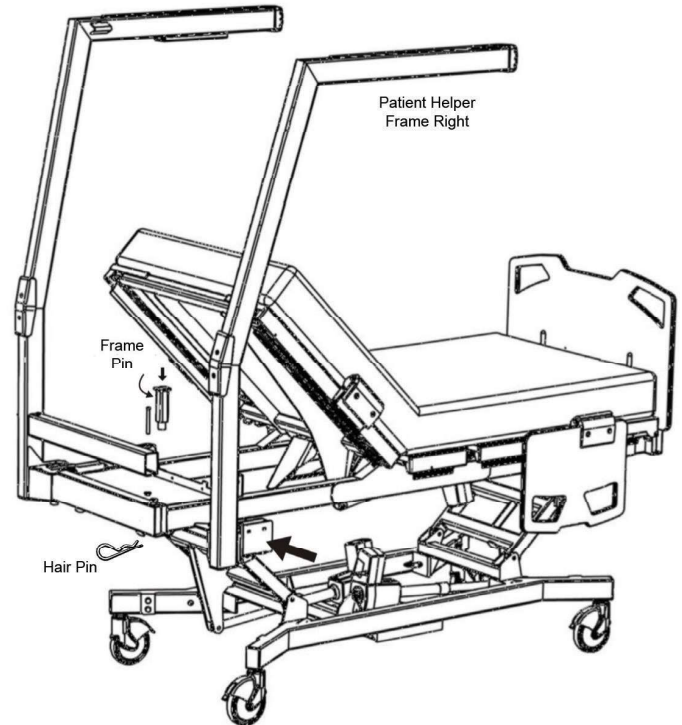


Figure 4

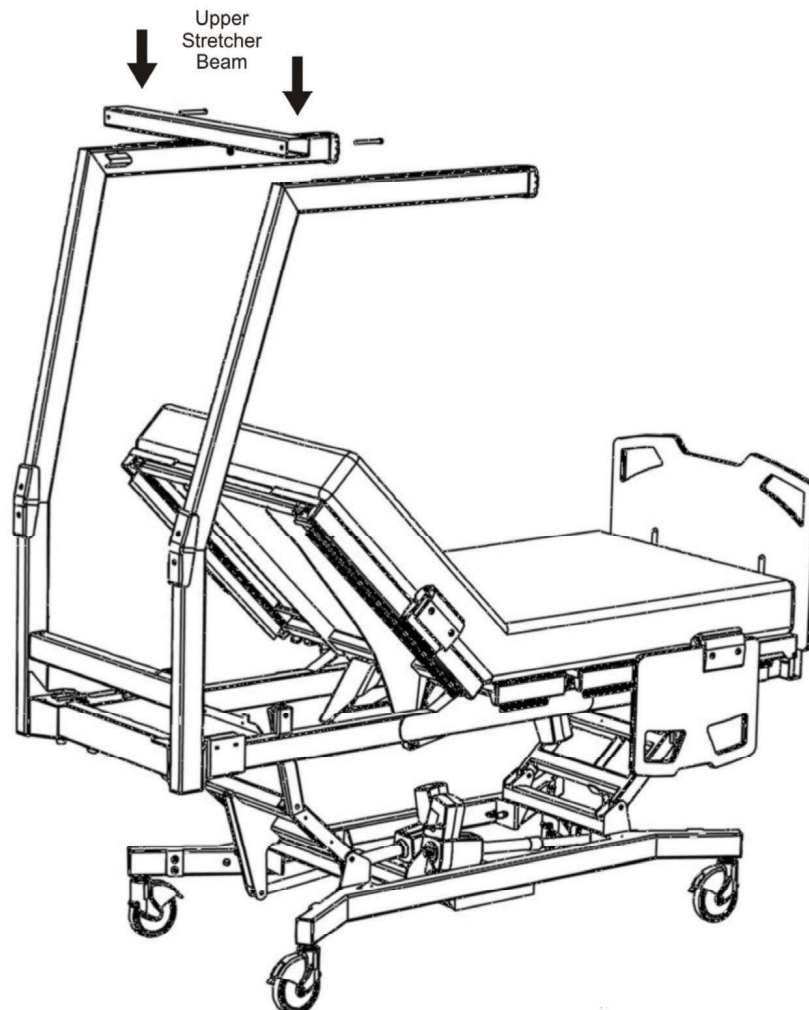


Figure 5

# Joerns® Bed Frames Bari10A Patient Helper

## Step 5

1. Fit Carriage Assembly over the Patient Helper Frames.
2. Install Carriage Bottom plates (2) to the Carriage with (2) fasteners per side (Figure 6). Utilize the center holes on each side.
3. Install Carriage Bottom Caps (4) to the Carriage Assembly with (4) fasteners per side. (Figure 7)
4. Slide Carriage Assembly as far forward as possible to middle of bed. Tighten lower stretcher nuts from Steps 2 and 3, Figure 3 and Figure 4 respectively
5. Slide Carriage Assembly as far rearward as possible to the head end of bed. Tighten the upper stretcher nuts from Step 4, Figure 5.
6. Check that Carriage Assembly moves freely back and forth when Carriage Adjustment Handle is squeezed (enabled).

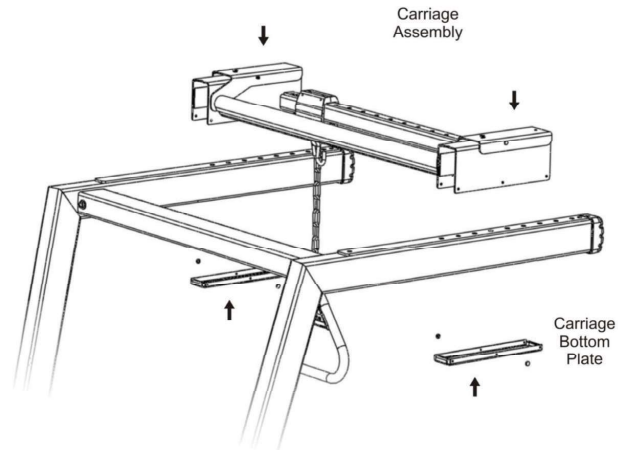


Figure 6

## Step 6

Recalibrate the scale to ensure proper reading of patient weight. Refer to Bari10A Bed User Manual for scale calibration process.

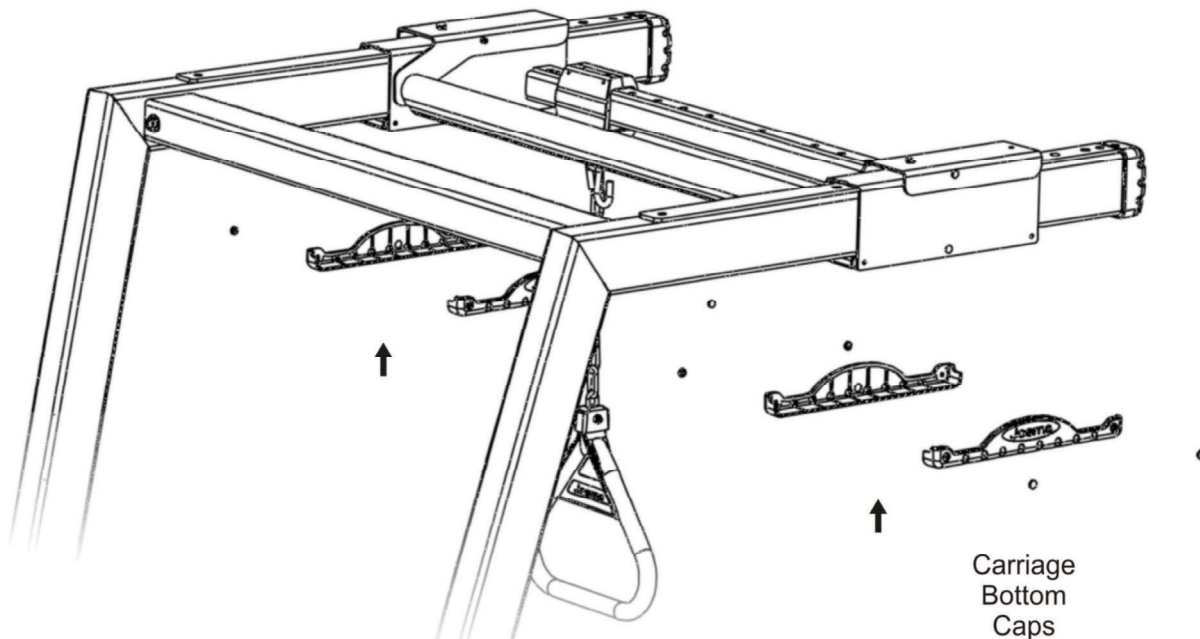


Figure 7



## Operation

### Positioning the Carriage (Figure 8)

1. Squeeze the Carriage Adjustment Handle.
2. Slide the Carriage to the desired position and release the Carriage Adjustment Handle.
3. To ensure that the Locator Pins are securely seated in the frame it may be necessary to slide the Carriage back and forth slightly.

### Positioning the Handle

1. Lift the Handle Slider with the attached chain up (lifting the handle slider locator pins from the Carriage).
2. Move the Handle Slider to the desired position and lower it.
3. To ensure that the Handle Slider index pins are securely seated in the frame, it may be necessary to move the Handle Slider back and forth slightly.

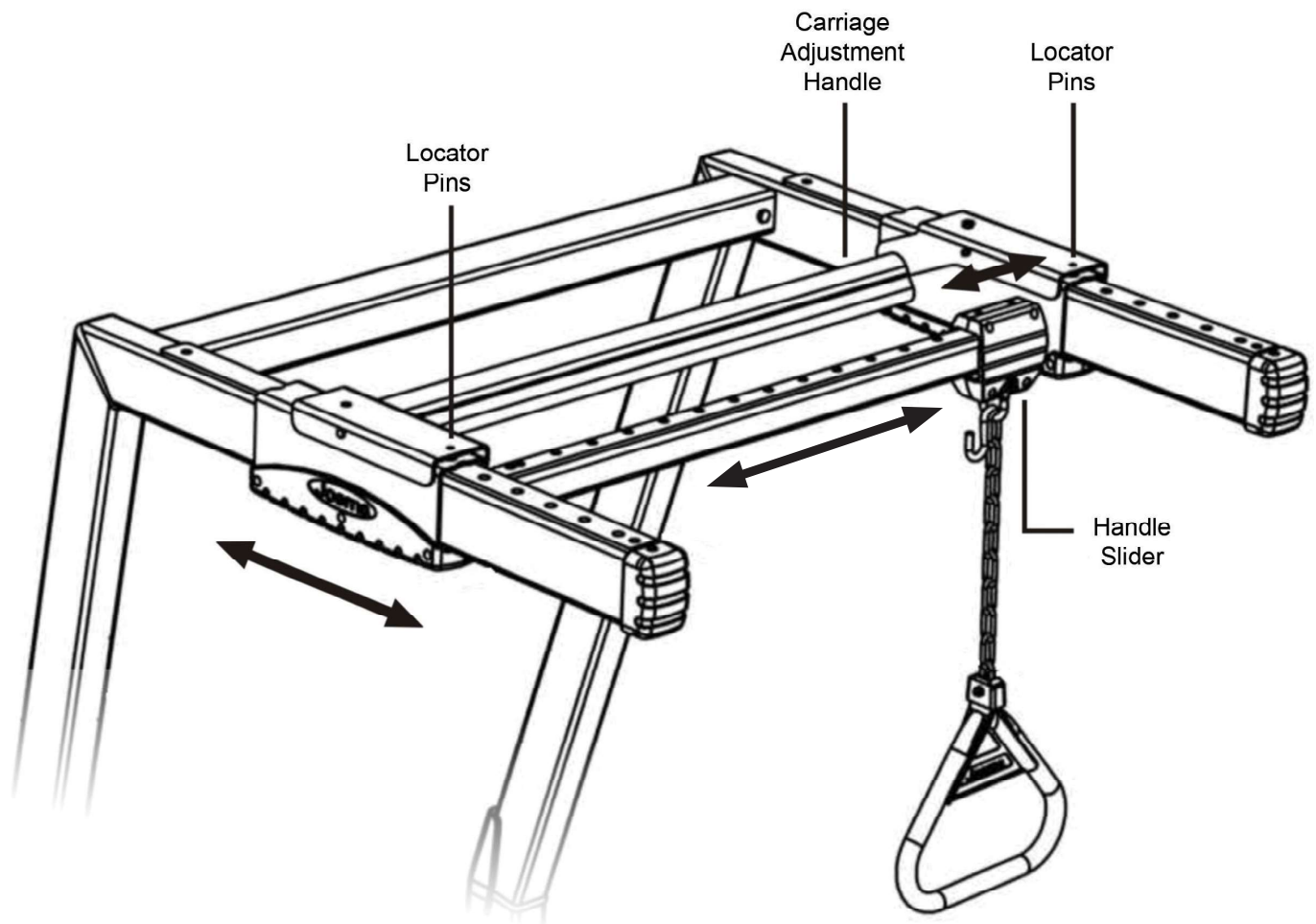


Figure 8

## Cleaning, Inspection and Maintenance

### User Serviceable Items

The user is an important contributor to the care and continued usefulness of the Patient Helper accessory. The amount of maintenance required will be dictated by the accessory and bed's use. At a minimum, the accessory and bed should be inspected every six months. The user is depended on to:

- Keep the bed system clean.
- Observe operation of the bed system, and report discrepancies.
- Check for loose bolts, nuts or pins, and report problems. Bolts and nuts should be tightened by a Joerns Healthcare technician to specified torques given in their service procedures. After a week of usage, check all bolts for looseness, and that the pins are in their normal location and fastened.
- Check the structural parts for cracks, especially the welds. Report any cracking, bending or hole enlargement.

If any discrepancies are noted during inspection they must be corrected before continuing use of the bed system. Major service and repair must only be done by an authorized Joerns Healthcare technician.

### General Cleaning

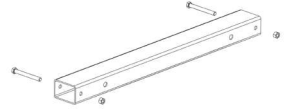
- Wiping surfaces with a properly prepared detergent/disinfectant carries out low level disinfecting.
- Do not use abrasive cleaners.

## Patient Helper Service Part Kits

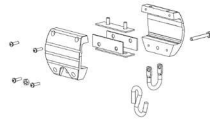
**Service Kit 39000952**  
Trapeze Handle



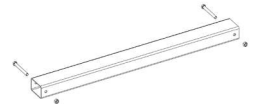
**Service Kit 39000957**  
Lower Stretcher



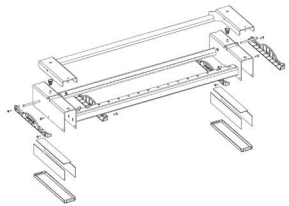
**Service Kit 39000953**  
Sliding Handle



**Service Kit 39000958**  
Upper Stretcher



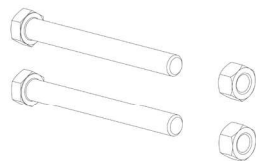
**Service Kit 39000954**  
Carriage Assembly



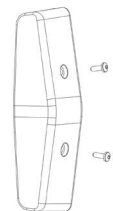
**Service Kit 39000951**  
Frame End Cap



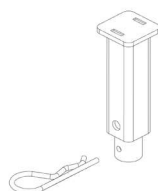
**Service Kit 39000955**  
Stretcher Bolt



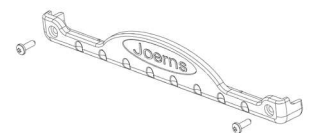
**Service Kit 39000960**  
Angle Cap



**Service Kit 39000956**  
Frame Pin



**Service Kit 39000961**  
Slider Cap





## Joerns Healthcare Warranty Program

for Joerns® Bari10A Patient Helper

Joerns Bari10A Patient Helper is guaranteed for a period of one year from the date of delivery, against defects in materials and workmanship, under normal use and service.

This one-year warranty includes all mechanical components.

Steel structural components are covered under warranty for a period of 10 years from the date of delivery.

Welds are covered under warranty<sup>1</sup> for the lifetime of the product.

Damage caused by use in unsuitable environmental conditions, abuse or failure to maintain the product in accordance with user and service instructions is not covered.

Any alteration, modification, or repair unless performed by or authorized in writing by Joerns Healthcare, will void this warranty.

### Parts

Joerns Healthcare's obligation under this warranty is limited to supplying replacement parts, servicing or replacing, at its option, any product which is found by Joerns Healthcare to be defective.

<sup>1</sup> Intended product lifetime is 15 years.

Warranty replacement parts are covered by the terms of this warranty until the product's original one-year warranty period expires.

When requested by Joerns Healthcare, parts must be returned for inspection at the customer's expense. Credit will be issued only after inspection.

### Service

Most service requests can be handled by the facility Maintenance Department with assistance from the Joerns Healthcare Product Service Department.

Most parts requested can be shipped next day air at the customer's expense.

Should a technician be required, one will be provided by Joerns Healthcare, at our discretion. Only the Joerns Healthcare Product Service Department can dispatch authorized technicians.

This warranty is extended to the original purchaser of the equipment.