

# **LUMEX<sup>®</sup>**

## **ABL-B700 Bariatric Bed Full-Electric DC Model**



### **User Manual**




**ABL-B700-INS-LAB-RevE16  
© 2010 GF Health Products, Inc.**

**Read this manual before assembling or operating the  
ABL-B700 Bariatric Bed. Save this manual for future  
reference.**

---

# CONTENTS

1	INTRODUCTION.....	3
	INTENDED USE .....	3
	SIGNAL WORDS.....	3
	TOOLS REQUIRED.....	3
2	IMPORTANT SAFETY PRECAUTIONS.....	4
	SERVICE ON ELECTRONICS .....	5
	RADIO FREQUENCY INTERFERENCE.....	5
3	HANDLING .....	6
	GF HEALTH PRODUCTS, INC. FREIGHT POLICY .....	6
	UNPACKING.....	6
	INSPECTION .....	6
	STORAGE .....	6
	DISPOSAL OF EQUIPMENT AND ACCESSORIES.....	6
4	PREPARING FOR ASSEMBLY .....	7
	REMOVE SHIPPING CABLE TIES FROM FOOT SECTION HEAD MOTOR TUBE .....	7
	REMOVE SHIPPING CABLE TIES FROM HEAD SECTION TRUSSES .....	7
5	ASSEMBLY INSTRUCTIONS.....	8
	ASSEMBLING THE HEAD AND FOOT SECTIONS.....	8
	CABLING INSTRUCTIONS.....	11
	INSTALLING THE CASTERS .....	12
	INSTALLING THE HEAD AND FOOT BED ENDS .....	13
	ASSEMBLING AND INSTALLING THE HI / LO MOTOR DRIVE SHAFT .....	15
	ELECTRICAL EQUIPMENT AND CABLES.....	17
6	BED OPERATION.....	18
	BED OPERATION WITH THE HAND CONTROL PENDANT .....	18
	TRENDELENBURG AND REVERSE TRENDELENBURG POSITION.....	19
7	ASSEMBLING AND INSTALLING OPTIONAL SWING-DOWN, QUICK-RELEASE HEAD RAILS .....	20
	BED RAIL SAFETY .....	21
8	MAINTENANCE AND SAFETY CHECKS.....	22
	CHECK ELECTRONICS FREQUENTLY.....	22
	CHECK BED FRAME AND SLEEPING SURFACE FOR STABILITY .....	22
	CHECK HEAD AND FOOT BED ENDS FOR SAFETY AND WEAR .....	22
	CHECK HI / LO DRIVE SHAFT FOR PROPER FUNCTIONALITY .....	23
	CHECK CASTERS FOR PROPER OPERATION .....	23
	MECHANICAL HARDWARE MAINTENANCE .....	23
	CLEANING THE BED.....	23
9	SPECIFICATIONS .....	24
	ELECTRICAL .....	24
	SHIPPING WEIGHT.....	24
	WEIGHT CAPACITY.....	24
	CONSTRUCTION .....	24
	FINISH .....	24
	DIMENSIONS: HEIGHT, LENGTH AND WIDTH.....	25
10	SERVICE PARTS.....	26
	SERVICE PART DIAGRAM.....	26
	SERVICE PART REFERENCE LIST .....	27
11	LIMITED WARRANTY .....	28
	SCOPE OF WARRANTY.....	28
	OBTAINING WARRANTY SERVICE.....	28
	EXCLUSIONS.....	28
	ENTIRE WARRANTY, EXCLUSIVE REMEDY AND CONSEQUENTIAL DAMAGES DISCLAIMER .....	29
	NOTES:.....	29
12	INDEX .....	30
13	NOTES.....	31

GF Health Products, Inc. is not responsible for typographical errors. All design details, illustrations, specifications, packaging and warranties contained in this literature are based on the latest product information available at the time of printing and are subject to change. The most current product information can be found online at [www.grahamfield.com](http://www.grahamfield.com). Follow us on   . **Graham-Field** and **Lumex** are registered trademarks of GF Health Products, Inc.

# 1 INTRODUCTION

All information and specifications in this manual are current at the time of printing. Please read this manual, including the following **Important Safety Precautions** section, in full before using the ABL-B700 Bariatric Bed. Always consult your professional healthcare advisors for their recommendations about safety, and never hesitate to ask for their assistance.

## INTENDED USE

The ABL-B700 Bariatric Bed, Full-Electric DC Model, is designed for bariatric patients in home or institutional environments.

## Contraindications

- ⚠ **WARNING: ABL-B700 Bariatric Bed maximum weight capacity:**
  - 700 lb total weight including patient, mattress, accessories, rails, etc., **EVENLY DISTRIBUTED.**
  - 600 lb maximum patient weight, **EVENLY DISTRIBUTED.**

## SIGNAL WORDS

Please heed the significance of the following special statements used throughout this manual.

- ⚠ **DANGER:** Indicates a potential hazard situation or unsafe practice that, if not avoided, will result in death or serious personal injury.
- ⚠ **WARNING:** Indicates a potential hazard situation or unsafe practice that, if not avoided, could result in death or serious personal injury.
- ⚠ **CAUTION:** Indicates a potential hazard situation or unsafe practice that, if not avoided, could result in minor or moderate personal injury.
- ▲ **NOTICE:** Indicates a potential hazard situation or unsafe practice that, if not avoided, could result in product or property damage.

***Info: Provides application recommendations or other useful information to ensure you get the most from your product.***

## TOOLS REQUIRED

The following tools are required to perform assembly:

- Blade (to cut cable ties)*
- Mallet*
- Two 9/16" wrenches*

## 2 IMPORTANT SAFETY PRECAUTIONS

- ⚠ WARNING: WARNING / CAUTION labels applied to the ABL-B700 Bariatric Bed describe hazards or unsafe practices that could result in personal injury and / or property damage. Do not remove such labels.**
- ⚠ WARNING: The ABL-B700 Bariatric Bed, engineered to provide you with years of reliable operation, is intended for household and commercial use only.**
- ⚠ WARNING: The ABL-B700 Bariatric Bed is intended for indoor use only.**
- ⚠ WARNING: Unplug the bed from the electrical outlet when not in use and before servicing or cleaning.**
- ⚠ WARNING: The ABL-B700 Bariatric Bed is equipped with a double-insulated electrical system using a 2-prong plug. Do not modify the plug in any way.**
- ⚠ WARNING: Do not use the bed if the power cord or plug is damaged or defective. Defective cables or plugs could result in fire or electric shock.**
- ⚠ WARNING: Do not use potentially explosive gases near the bed. Fire hazard is possible with use of oxygen-administering equipment other than nasal or masked devices.**
- ⚠ WARNING: When using liquid in or around the bed, ensure liquid of any kind is not spilled. If liquid is spilled in or around the bed, unplug the bed from the electric outlet immediately. Clean up the spill and allow the bed and area around the bed to dry thoroughly before using the electric controls again.**
- ⚠ WARNING: Ensure the patient's body weight is evenly distributed over the entire sleeping surface of the bed and that the patient does not lie, sit, or lean in such a manner that their entire body weight is placed entirely on the raised head or foot section of the bed. This also applies to anyone providing assistance when repositioning or transferring a patient.**
- ⚠ WARNING: Do not move or push the bed while it is in an elevated position. Always lower the bed to its lowest position before moving.**
- ⚠ WARNING: Ensure the casters are unlocked and free from restriction before moving the bed.**
- ⚠ WARNING: Keep hands and feet clear of all moving parts.**
- ⚠ WARNING: Never permit anyone under the bed at any time.**
- ⚠ WARNING: Do not leave the bed unattended when plugged in.**
- ⚠ WARNING: Do not allow small children on or near the bed during operation. Do not allow small children to operate the bed.**
- ⚠ WARNING: When operating any of the bed's movement functions, always ensure the patient is positioned properly within the confines of the bed. Do not let any extremities (head, arms, or legs) protrude over the side or between the bed rails when operating the bed.**
- ⚠ WARNING: ABL-B700 Bariatric Bed maximum weight capacity:  
700 lb total weight including patient, mattress, accessories, rails, etc., EVENLY DISTRIBUTED.  
600 lb maximum patient weight, EVENLY DISTRIBUTED.**

- ⚠ **WARNING:** Do not use the ABL-B700 Bariatric Bed with bed-mount trapeze or bed-mount traction devices.
- ⚠ **WARNING:** Do not use the bed as a patient transport.
- ⚠ **WARNING:** Do not use any unauthorized rails, parts, accessories, or adapters other than those approved by GF Health Products, Inc.
- ⚠ **WARNING:** Notice for California Customers- California Proposition 65 **WARNING:** This product contains a chemical known to the State of California to cause cancer and reproductive or developmental harm.
- ⚠ **WARNING:** GF Health Products, Inc. assumes no responsibility for any damage or injury caused by improper assembly or use of this product.
- ⚠ **WARNING:** GF Health Products, Inc. specifically disclaims responsibility for any bodily injury or property damage which may occur during any use which does not comply with federal, state or local laws or ordinances.
- ▲ **NOTICE:** Position and secure all bed cables with cable ties to prevent them from being stepped on, tripped over, or otherwise subjected to damage or stress.
- ▲ **NOTICE:** The hand control pendant cable must be routed and secured properly to ensure the cable does not become entangled and eventually severed during use.
- ▲ **NOTICE:** Ensure cables do not get tangled around the bed, rails, or legs during bed operation.
- ▲ **NOTICE:** When using nasal or masked-type administered equipment, oxygen or air tubing must be routed and secured properly to ensure the tubing does not become entangled and eventually crimped or severed during bed operation.
- ▲ **NOTICE:** Keep all moving parts free of obstruction, i.e. blankets, sheets, heating blankets, pads, tubing, wiring, and any other objects.
- ▲ **NOTICE:** To use the pendant correctly, pause slightly before pressing a second button for a new operation — avoid pressing multiple buttons at the same time or pressing buttons rapidly. If the buttons are pressed too quickly or multiple buttons are pressed at the same time, the pendant functions may not operate properly. Release the button(s), wait a second or two, then proceed.

## **SERVICE ON ELECTRONICS**

- ⚠ **WARNING:** The bed's electronic system contains no serviceable parts. Do not open the motors, cables, hand control pendant, or junction box. Only a GF authorized distributor or factory-trained personnel may perform service or adjustments on these components.

## **RADIO FREQUENCY INTERFERENCE**

- ⚠ **WARNING:** Most electronic equipment is influenced by Radio Frequency Interference (RFI). ALWAYS exercise caution in regard to the operation of any portable communication devices within the area of the bed's electronic equipment.

## 3 HANDLING

### GF HEALTH PRODUCTS, INC. FREIGHT POLICY

#### 1. For Your Protection, Read Carefully

The carrier accepted this merchandise “in good condition” and is responsible for safe delivery. Before signing any freight bill, inspect the shipment carefully for any damage or missing parts.

#### 2. Apparent Loss or Damage

Should visual inspection show loss or damage, it MUST be noted on the freight bill and signed by the carrier’s agent. Failure to do so may result in the carrier failing to honor the claim. Please contact the carrier to obtain the paperwork necessary to file the claim.

#### 3. Concealed Loss or Damage

If damage is discovered AFTER delivery is made, a concealed damage claim MUST BE RECORDED with the freight carrier. When this occurs, send a written request to the carrier for inspection. This request must be made WITHIN 15 DAYS OF DELIVERY. The carrier should provide all paperwork necessary to file a concealed damage or loss claim, since such damage or loss is the carrier’s responsibility.

## UNPACKING

***Info: Unless the bed is to be used immediately, retain all containers and packing materials for storage until the bed is required for use.***

1. Check for any obvious damage to the bed carton or its contents. If damage is evident, please notify the carrier and your GF authorized distributor immediately.
2. Remove all loose packing material from the carton and inspect to ensure there are no parts enclosed in the material.
3. Carefully remove all components from the packing carton and lay them on a stable surface.

## INSPECTION

**⚠ WARNING: Do not operate bed controls before fully assembling the bed.**

1. Examine each item carefully for nicks, dents, scratches, or any other damage.
2. Inspect all cables for cuts or damage and all plugs for damage.
3. Inspect the junction box for any damage to the connectors.
4. Ensure the motor plugs are in good working order and fit properly into the control / junction box receptacles.

## STORAGE

If the bed will not be used immediately upon receipt, repackage the bed after inspection in the original carton, reusing the packing materials. Store the re-packaged bed in a dry area until needed.

**▲ NOTICE: DO NOT place anything on top of the re-packaged bed or damage could occur.**

## DISPOSAL OF EQUIPMENT AND ACCESSORIES



Follow local governing ordinances and recycling plans regarding disposal of the device or components normally used in operation. The device does not generate waste or residue in operation. Any accessories not part of the device MUST be handled in accordance with the individual product marking for disposal.

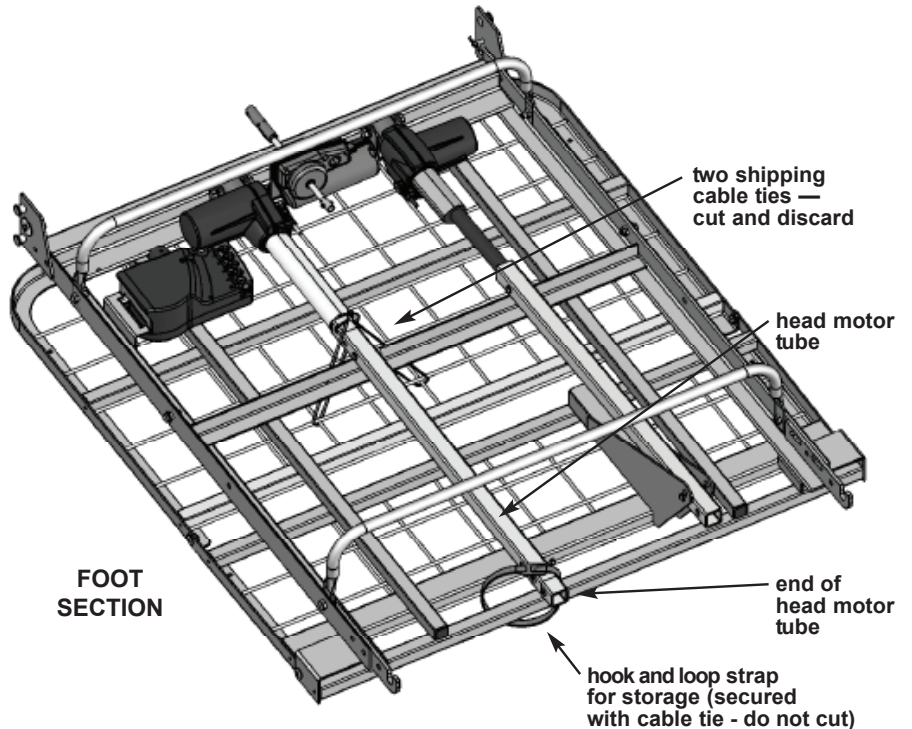
## 4 PREPARING FOR ASSEMBLY

⚠ **WARNING:** Shipping cable ties must be removed before assembly.

### REMOVE SHIPPING CABLE TIES FROM FOOT SECTION HEAD MOTOR TUBE

*Tools required: blade*

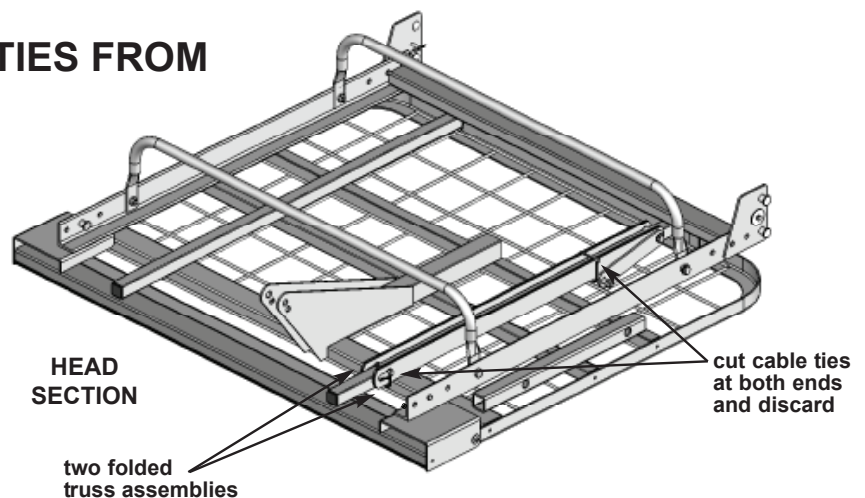
1. The head motor tube is secured to the foot section with two cable ties for added security during shipping, as shown at right. Cut the two cable ties and discard them.
2. The end of the head motor tube is secured to the foot section with a hook and loop strap, as shown at right, to secure it during moving and storage when the bed is not in use. The hook and loop strap is attached to the head motor tube with a cable tie. **Do not remove this cable tie.** When setting up the bed, simply unstrap the hook and loop strap from around the deck tube and wrap it tightly around the head motor tube, then reinstall as shown at right for moving or storage.



### REMOVE SHIPPING CABLE TIES FROM HEAD SECTION TRUSSES

*Tools required: blade*

The two truss assemblies are folded and secured to the head section with two cable ties at either end, as shown at right. Cut and discard the cable ties to detach the trusses before assembly.

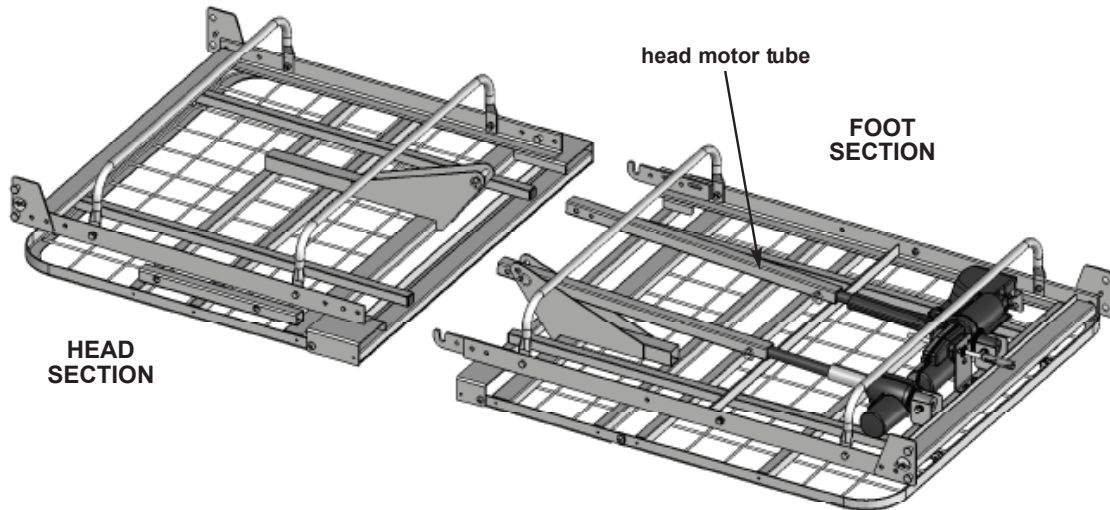


## 5 ASSEMBLY INSTRUCTIONS

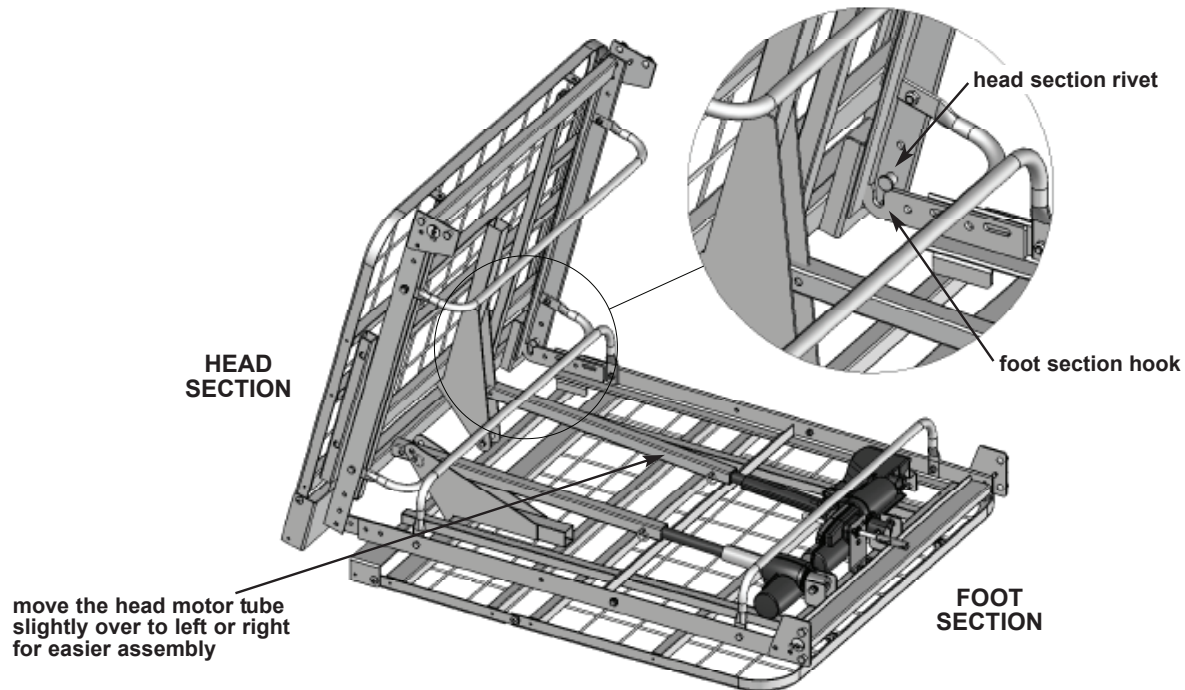
**⚠ WARNING:** Because the bed is very heavy, bed assembly requires two people.

### ASSEMBLING THE HEAD AND FOOT SECTIONS

*Tools required: two 9/16" wrenches*



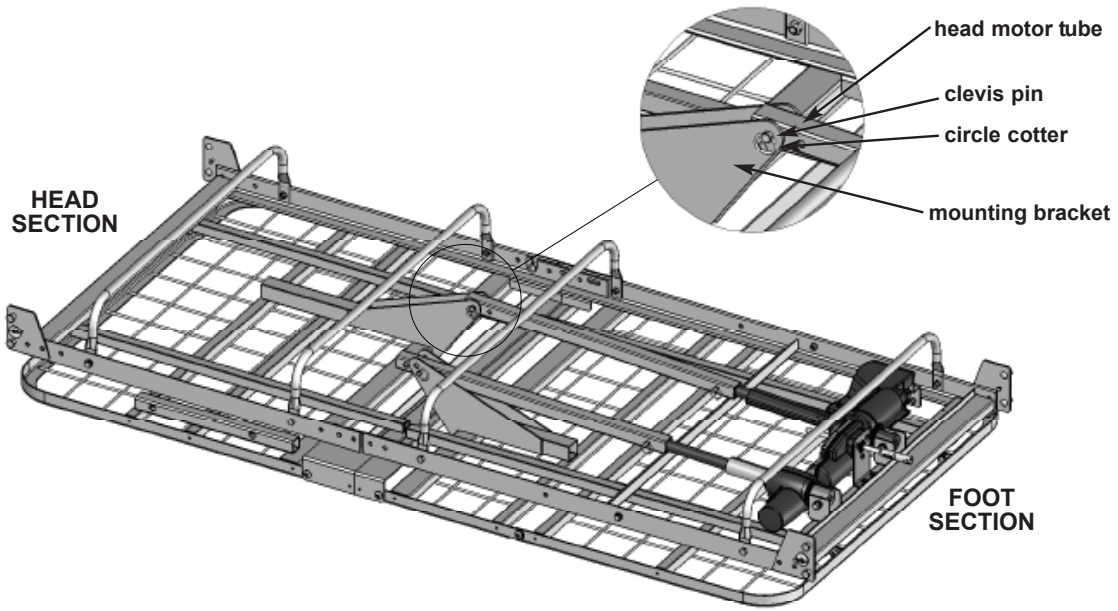
1. Lay the bed's foot section (with motors and junction box) upside down, flat on the floor, as shown above. Do the same with the head section close by.



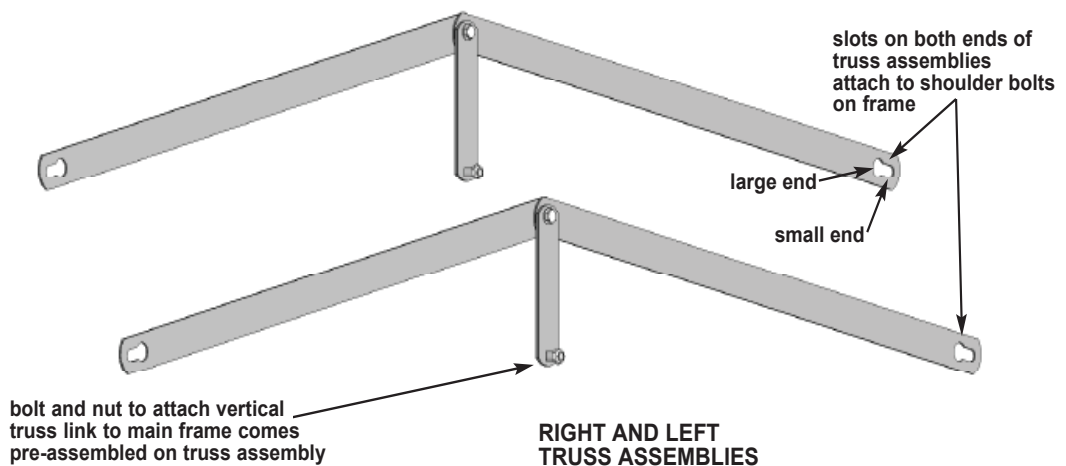
2. Move the head motor tube slightly over to the right or left to get it out of the way. Using two people, lift the head section so that it stands perpendicular to the foot section as shown above. Lift the head section and align the two rivets (on either side of the inside frame) with the two hooks in the foot section frame, as shown above. Lower and slowly maneuver the head deck so that the rivets seat in the hooks.



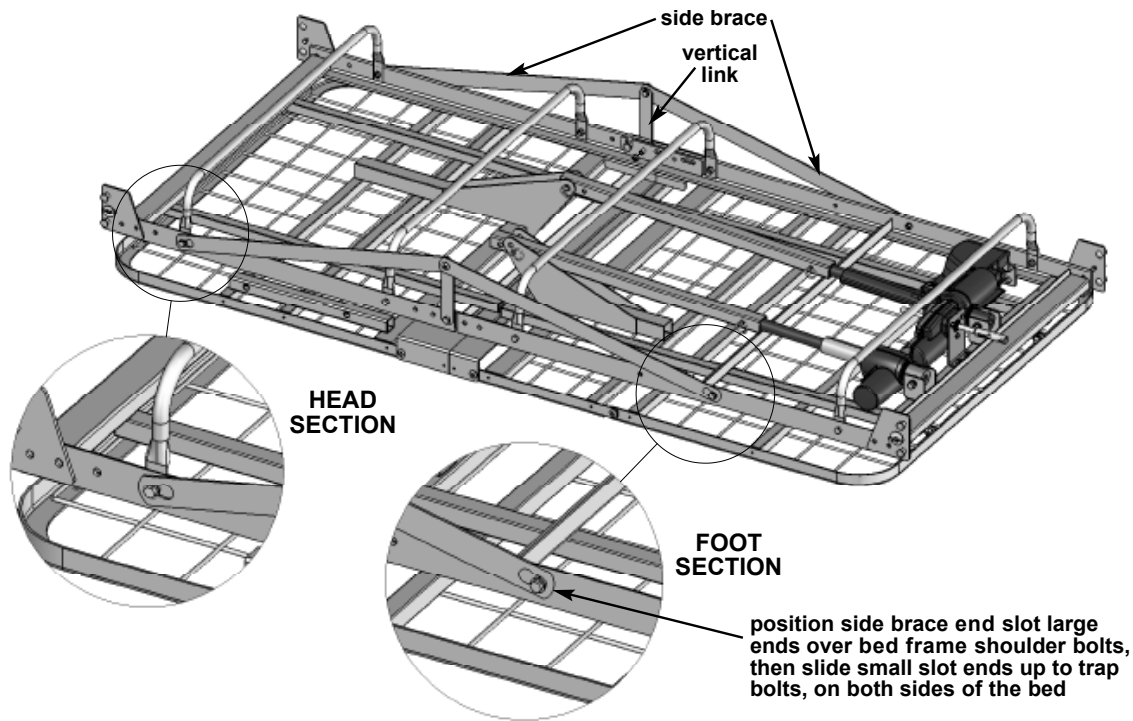
**⚠ WARNING: The rivets MUST be properly seated in the hooks, otherwise personal injury and / or property damage could occur.**



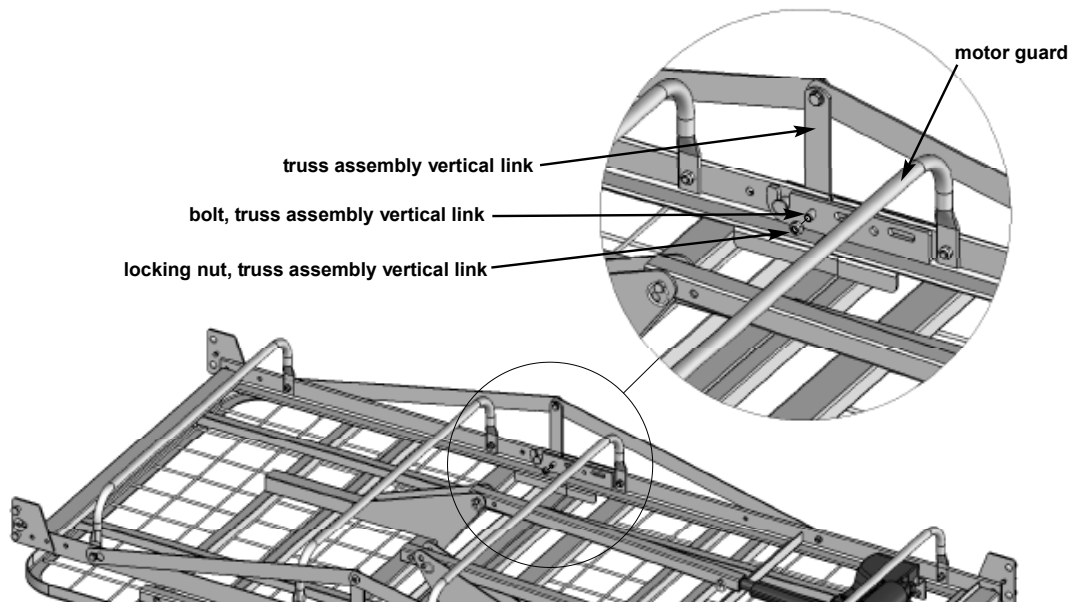
3. Carefully lower the head section to the floor, ensuring the head section rivets remain engaged in the foot section hooks. Remove the clevis pin and circle cotter, shown above, from the head section's mounting brackets. Lift up the head motor tube and place it so that it rests between the two brackets and the first hole lines up with the bracket holes. Insert the clevis pin and secure with the circle cotter, as shown above.



The two truss assemblies, shown above, span the decks and give them more stability, much like the trusses on a bridge. The trusses attach to the main frame via welded shoulder bolts on either side of the head and foot sections.

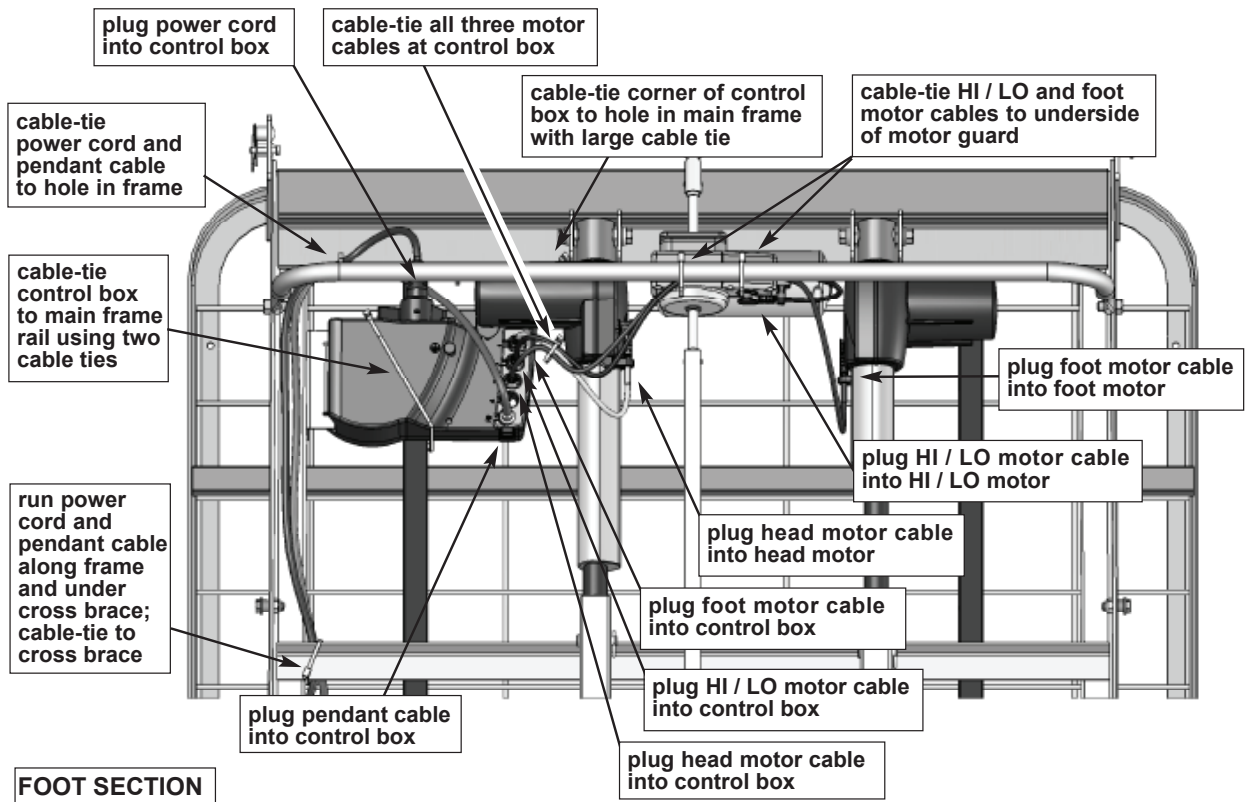


4. Position the truss assemblies on both sides of the bed so that the vertical truss links face the middle of the bed and the side braces are on the outside. Position the side brace end slot large ends over the protruding welded shoulder bolts near the ends of both the head and foot section frames, then slide the small slot ends over the shoulder bolts so that the bolts are trapped in the small slot ends, as shown above.



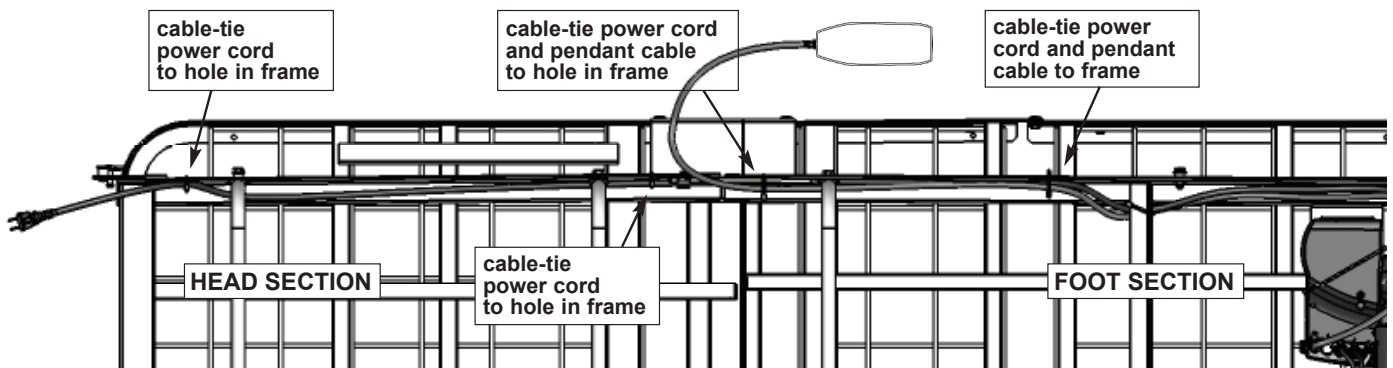
5. Attach the truss assembly vertical link to the main frame. Remove the nut from the bolt at the end of the vertical link as shown above. From the outside of the main frame, insert the bolt (with link) through the central hole. From the inside of the frame, secure the bolt using the same locking nut you removed earlier. Tighten both the bolt and the nut using two  $\frac{9}{16}$ " wrenches. Repeat for other side.
6. Once the truss assemblies are securely installed, carefully turn the bed over so that it rests on the motor guards.

# CABLING INSTRUCTIONS



1. Cabling: The cables, shown above, will be installed at the factory on the foot section, as well as the control box, foot motor, HI / LO motor, and head motor. If you ever need to replace an electrical component or cabling, follow the diagram above.

▲ **NOTICE:** To avoid damage to cabling, all cables must be routed correctly and cable-tied to proper parts of the frame as shown.

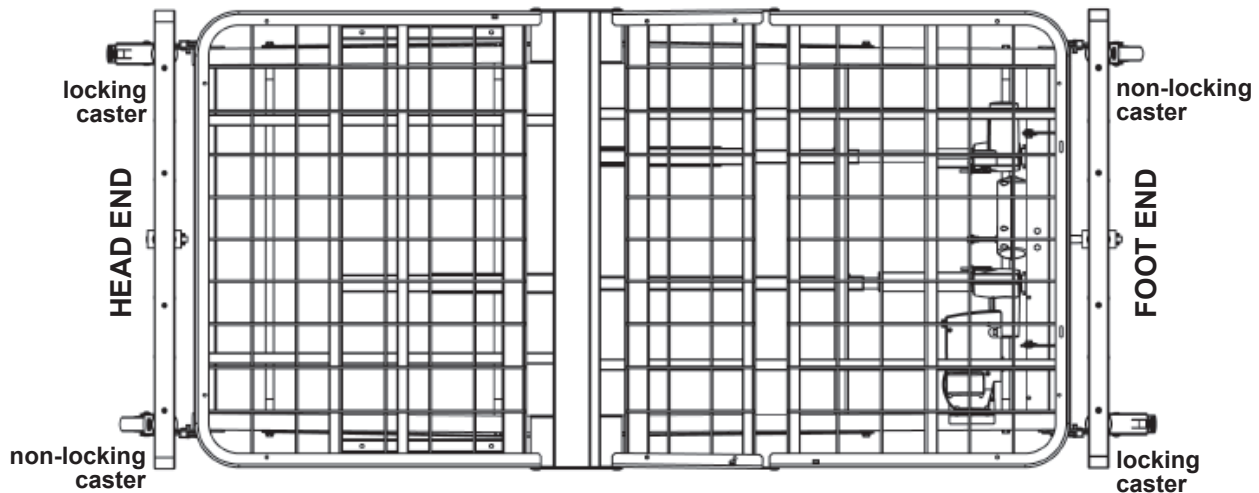


The head section of the bed does not come with any cable routing. The power cord and pendant cables will be coiled and cable-tied to the foot section in packaging. To route the power cord and pendant cable:

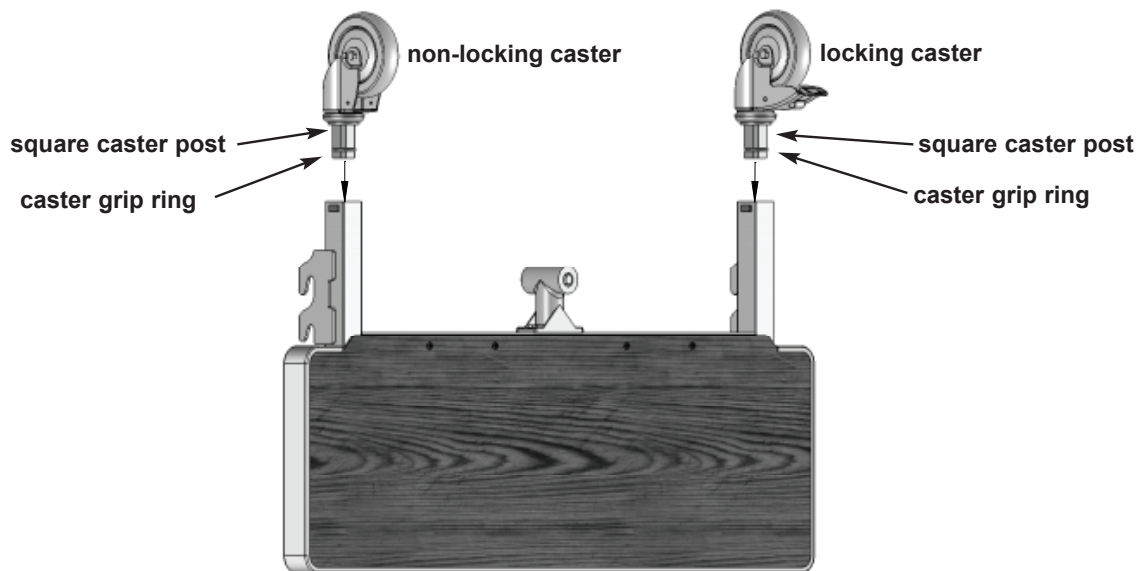
2. Cut off the cable ties from the coiled sections.
3. Run the cables along the inside and underside of the main frame rails with the pendant running out the center of the bed and the power cord running off the end of the head section toward the wall outlet.
4. Cable-tie the power cord and the pendant cable to frame rail holes in areas indicated above to prevent pinching of cables or interference with normal bed functions.

# INSTALLING THE CASTERS

Tools required: mallet



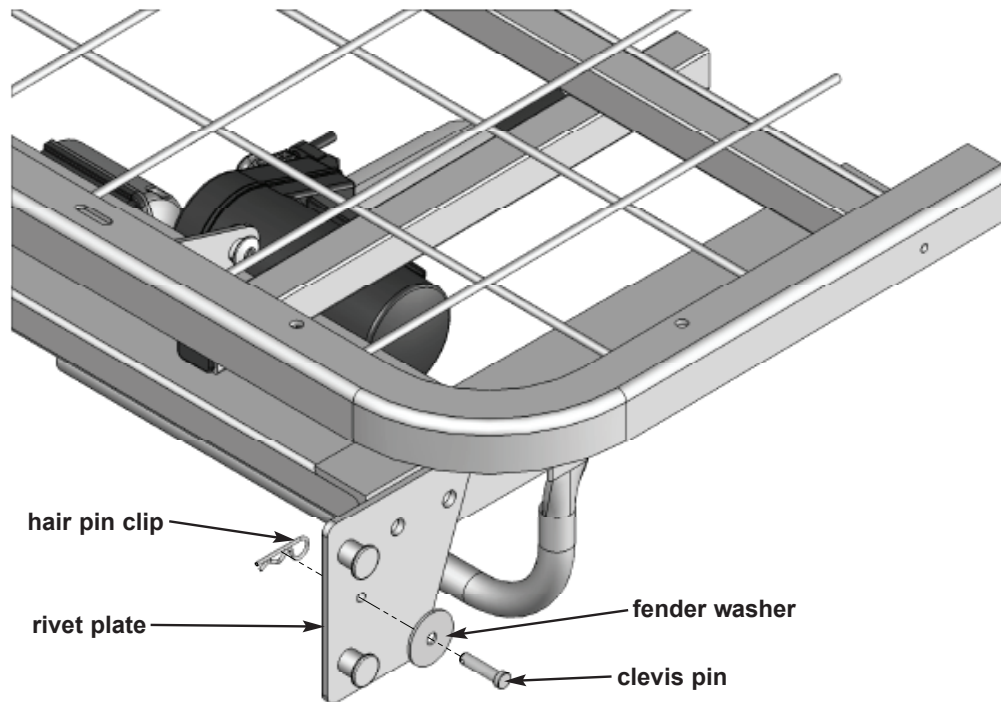
**Info:** Before installing the two locking and non-locking casters, ensure they will be easily accessible once the bed ends are attached. For best results, position the two locking casters so that they are diagonally on opposite sides of the bed as shown above.



1. To install the casters in the bed end legs, insert the square caster posts directly into the bottoms of the legs, centering the caster grip rings in the legs as shown above.
2. Tap the bottoms of the caster wheels gently with a mallet, forcing the caster grip rings to compress and enter the legs. Continue tapping gently until the square caster posts are entirely inside the legs.

# INSTALLING THE HEAD AND FOOT BED ENDS

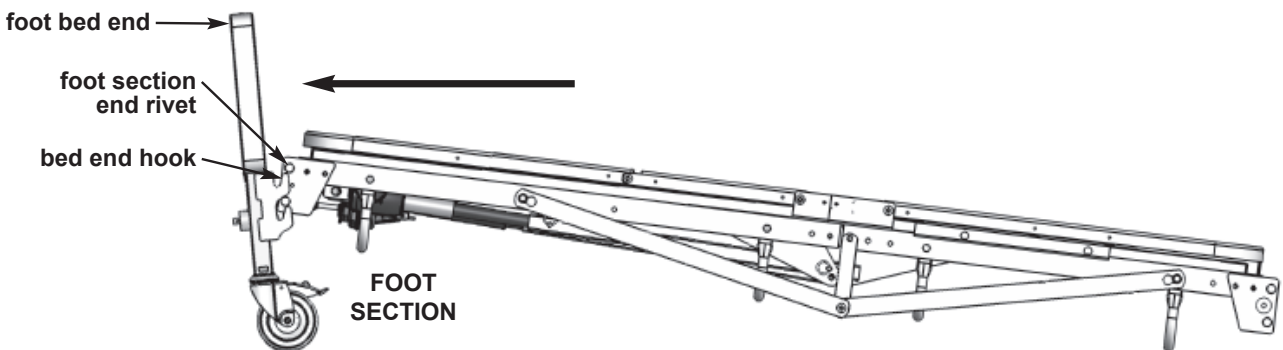
## Removing the Bed End Locking Hardware



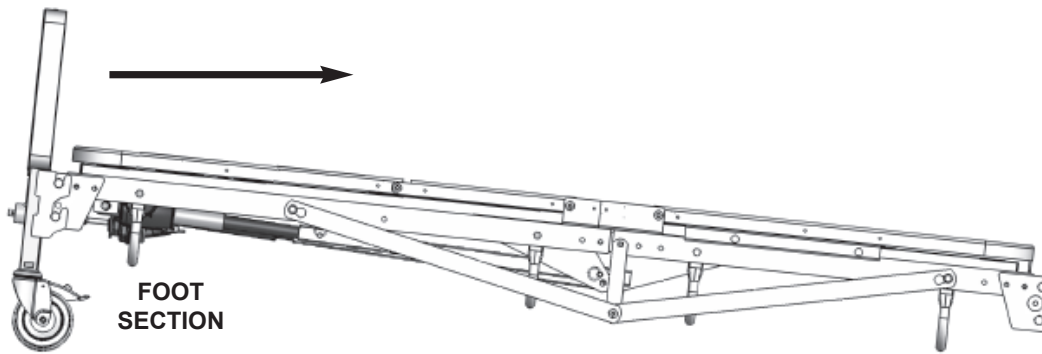
1. You must first remove the bed end locking hardware (clevis pins, washers, and hair pin clips, total 4 each) from the frame rivet plates on both sides of the bed before you can attach the bed ends. The bed end locking hardware has been pre-installed at the factory for ease of shipment, and will be reinstalled after installing the bed ends to act as latches when the bed ends are attached to head and foot sections.

## Installing the Bed Ends on the Bed

**⚠ WARNING:** Because the bed is heavy, bed end assembly requires two people.



2. Position the bed on the floor, resting on the motor guards with deck on top, as shown above. Position the foot bed end assembly near the bed so that the hooks face toward the foot section as shown. With a person on each side, carefully lift the foot section at an angle and ease the two foot section end rivets into the bed end hooks on both sides of the foot bed end. You may need to tilt the bed end backward slightly, away from the foot section as shown above, in order to maneuver the rivets into both hooks.

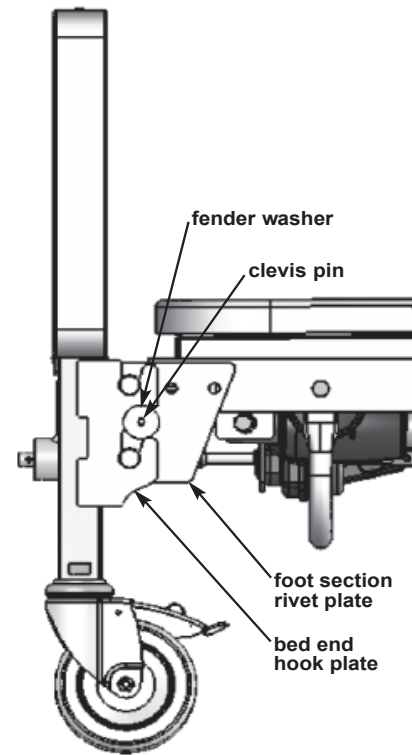


3. Once the rivets are aligned with the hooks, tilt the bed end forward, toward the foot section as shown above, then lower the bed into the hooks to lock into place. Do the same for the head end of the bed, repeating steps 2 and 3.

### Installing the Bed End Locking Hardware

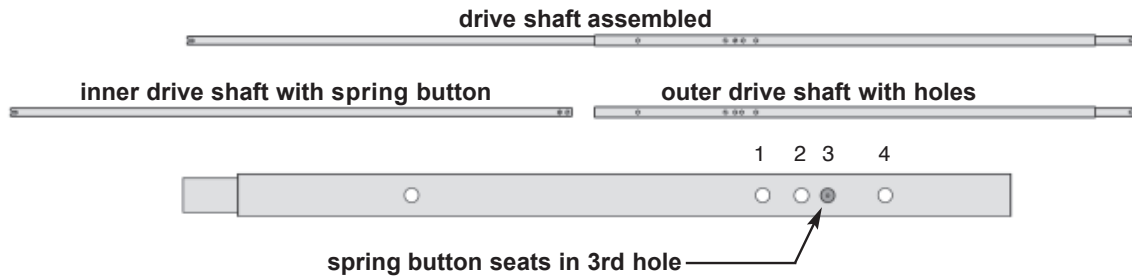
**⚠ WARNING: Ensure the clevis pins, washers, and hair pin clips, which act as latches, are properly installed to avoid personal injury or property damage.**

4. Once you have the head and foot bed ends installed on the bed with the rivets resting securely in the hooks as shown at right, reinstall the locking hardware on all four corners to lock them into place.
5. Slip a fender washer onto the exposed end of each clevis pin. From the outside, insert the two clevis pins with washers (that you removed in step 1) through the holes on both sides of the foot section's rivet plates as shown at right. The fender washers will rest on the outside of the bed end's hook plates as shown.
6. From the inside, insert a hair pin clip into the small hole at the end of each clevis pin.
7. Follow the same procedure for the head bed end section.



# ASSEMBLING AND INSTALLING THE HI / LO MOTOR DRIVE SHAFT

The telescoping HI / LO motor drive shaft assembly consists of an inner shaft with a positioning spring button and an outer shaft with several positioning holes.




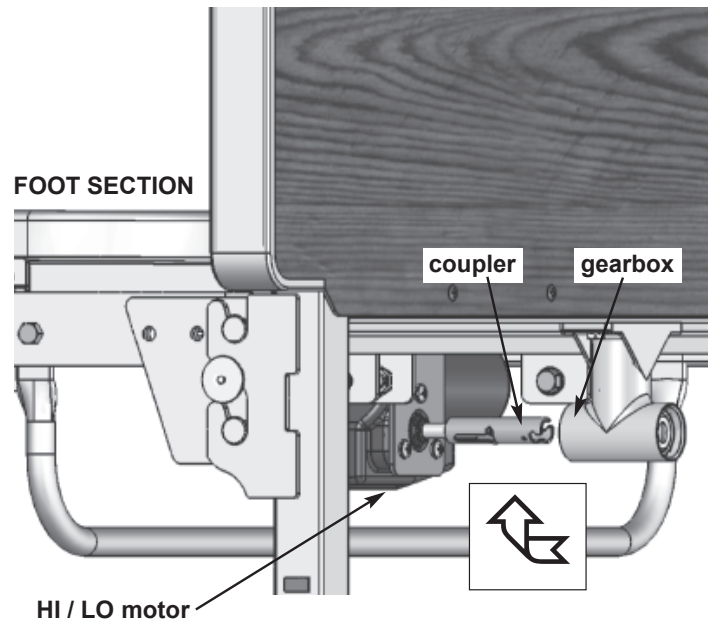
1. Lay the drive shaft parts on a flat surface so that the inner shaft is to your left and the outer shaft is to your right with the spring button end of the inner shaft facing the holed end of the outer shaft as shown above. The outer shaft also has a small spring-loaded inner shaft on the opposite end for ease of installation.
2. Depress the spring button and slide the inner shaft into the outer shaft until the spring button engages in the 3rd hole of the outer shaft as shown.

## Unlocking the HI / LO Coupler

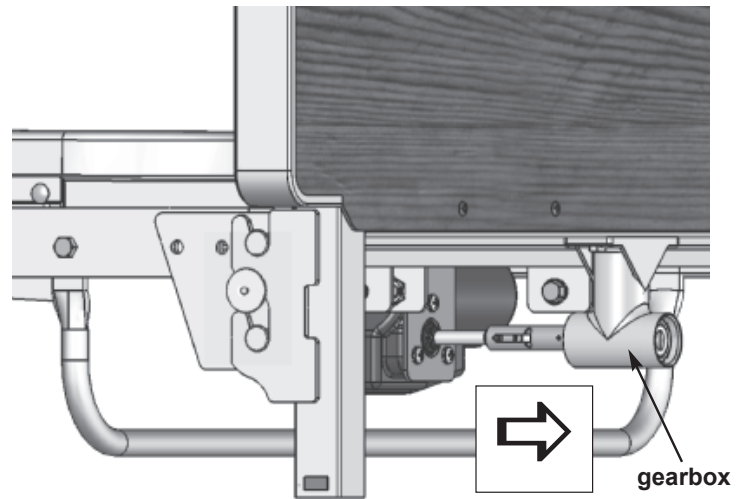
**Info:** Connecting the drive shaft to the bed is easier if you first insert the HI / LO motor shaft coupler into the foot bed end gearbox.

3. See picture at right. The HI / LO motor comes pre-assembled on the foot section of the bed. The HI / LO motor shaft includes a coupler, located toward the foot end, that connects to the foot bed end gearbox and is shipped in the locked position.

To unlock the coupler and insert it into the gearbox, turn it clockwise to release it from the locking pin. 

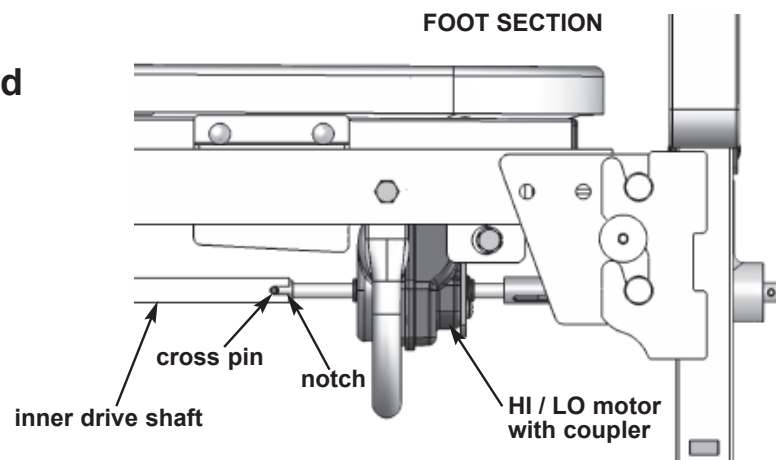


- Once the coupler is unlocked, the inner spring will force it toward the foot end gearbox located at the bottom of the bed end assembly. The HI / LO motor shaft cross pin should now rest at the end of the long groove in the coupler, and the end of the coupler should rest inside the gearbox and engage the gear shaft.

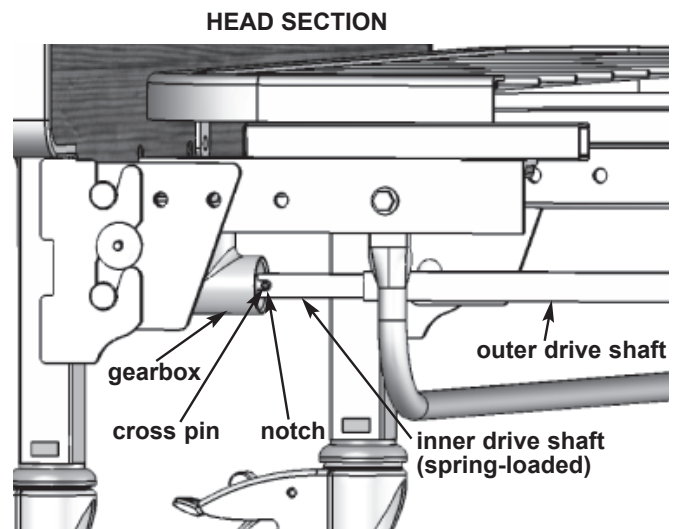


### Attaching the Drive Shaft to the Bed

- To attach the drive shaft assembly to the bed, at the foot end, place the inner drive shaft end notch on the HI / LO motor shaft cross pin as shown at right.



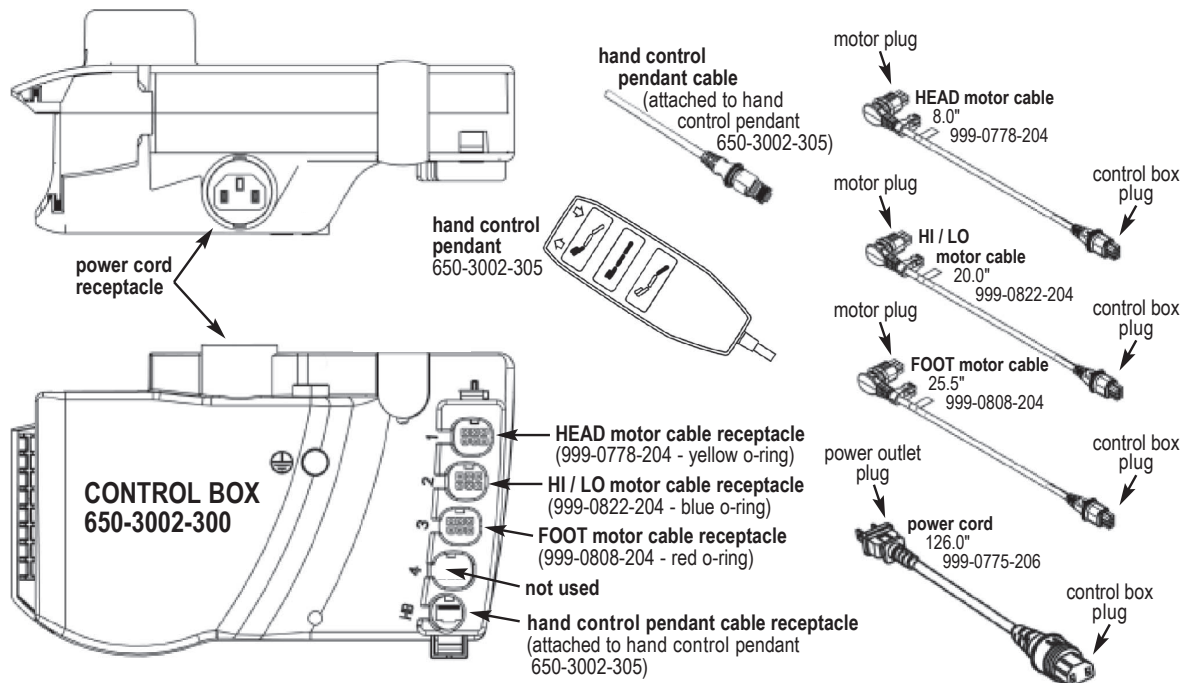
- At the head end, depress the small spring-loaded inner drive shaft, and place the shaft end notch on the head end gearbox shaft cross pin as shown at right.



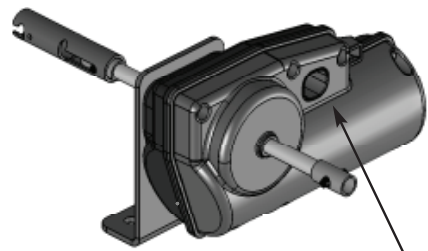
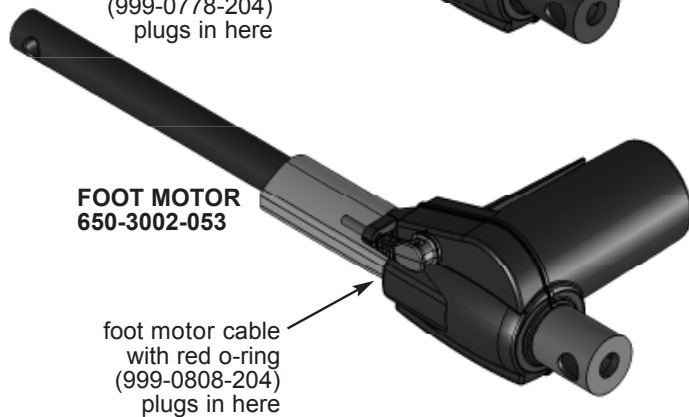
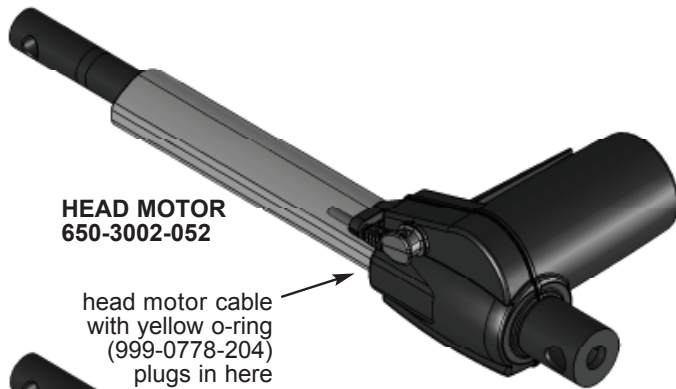


# ELECTRICAL EQUIPMENT AND CABLES

The following diagrams show the electronic components and proper cable plug-in locations.



## Motors / Actuators



HI / LO motor cable with blue o-ring (999-0822-204) plugs in here

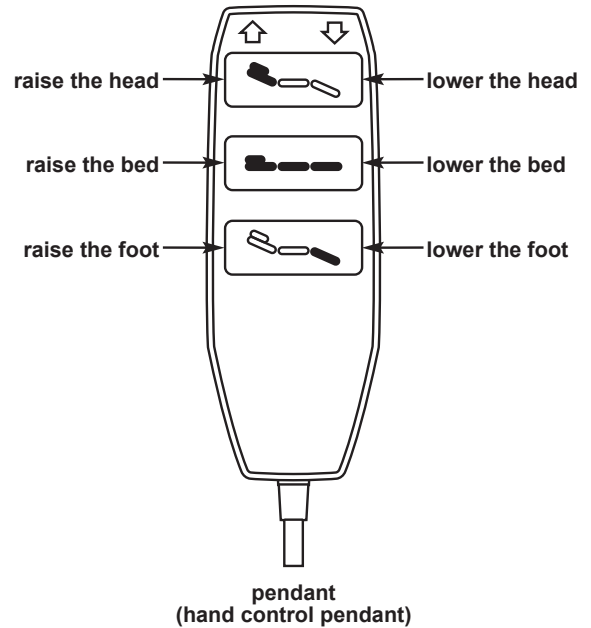
# 6 BED OPERATION

## BED OPERATION WITH THE HAND CONTROL PENDANT

**▲ NOTICE:** To use the hand control pendant correctly, pause slightly before pressing a second button for a new operation. Avoid pressing multiple buttons at the same time or pressing buttons rapidly. If the buttons are pressed too rapidly or multiple buttons are pressed at the same time, the pendant functions may not operate properly. Release the button, wait at least a second, then proceed.

The drawing at right illustrates the function of each hand control pendant button. To operate the bed with the pendant, use the following guidelines:

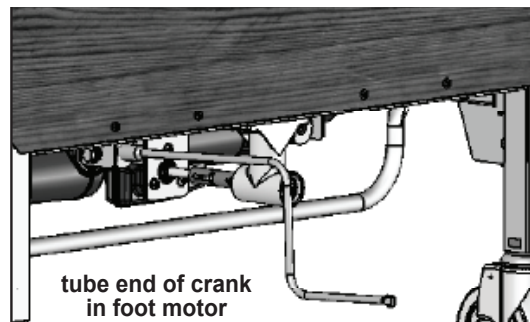
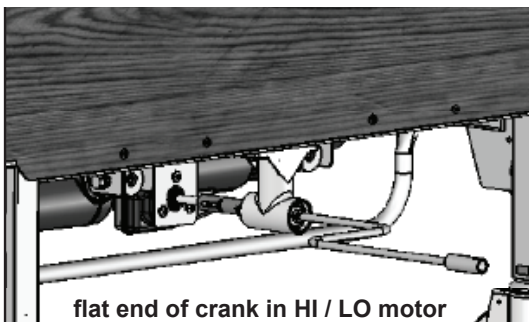
1. To raise only the head section, press the top left button (↑)
2. To lower only the head section, press the top right button (↓)
3. To raise the entire bed platform, press the middle left button (↑)
4. To lower the entire bed platform, press the middle right button (↓)
5. To raise only the foot section, press the bottom left button (↑)
6. To lower only the foot section, press the bottom right button (↓)



If any of the pendant functions do not work as expected, recheck all electrical connections to ensure all cables are seated properly within the motors and the control box, then retry the pendant function that did not work.

If the function still does not work, contact your GF authorized distributor immediately to help you troubleshoot the problem and provide you with assistance on what to do next.

If the power goes out in your home or facility, unplug the bed immediately from the power outlet. An emergency crank has been included with the bed to use in such an emergency.



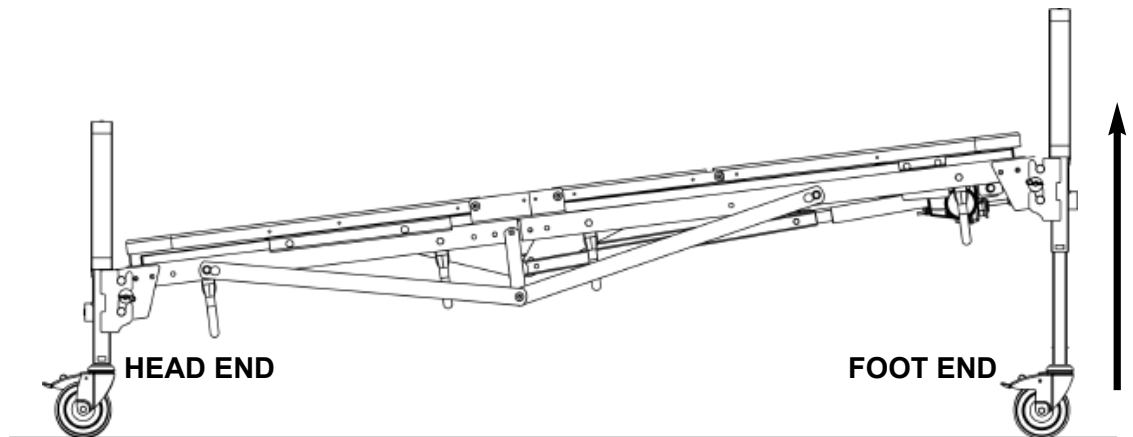
To lower the bed platform with the emergency crank, insert the crank's flat end into the HI / LO motor shaft slot as shown at above left and turn it counterclockwise.

To lower the head or foot section with the emergency crank, insert the crank's tube end into the end of either the head or foot motor as shown at above right and turn counterclockwise.

## TRENDELENBURG AND REVERSE TRENDELENBURG POSITION

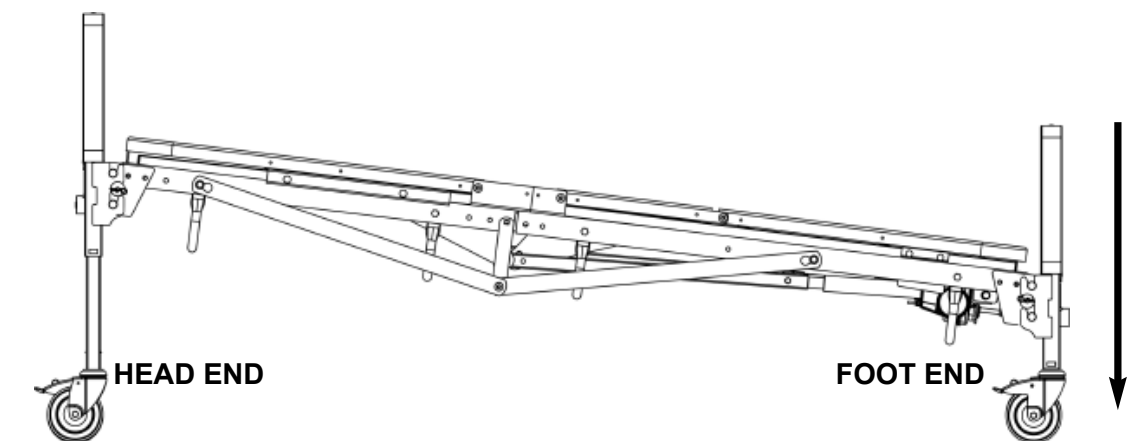
The Bariatric Bed has been designed so that both Trendelenburg and Reverse Trendelenburg positions can be achieved by adjusting the drive shaft and using the hand control pendant HI / LO functions. Often used with patients who have a history of low blood pressure or shock, or in post surgery situations requiring reductions in abdominal anomalies, the positions allow the patient to lie prone with either the feet raised on angle or head end raised without knees bent. Physician approval is recommended before using the feature.

### Trendelenburg Position



1. Lower the bed platform to its lowest height. Disengage the HI / LO drive shaft by compressing the spring fitting at the head end and removing it from the head gear shaft and foot HI / LO motor: perform step 3 on page 15.
2. With the bed now in its lowest position, use the pendant middle-button HI / LO function to raise the foot end to its highest position. The head end will remain in the low position.

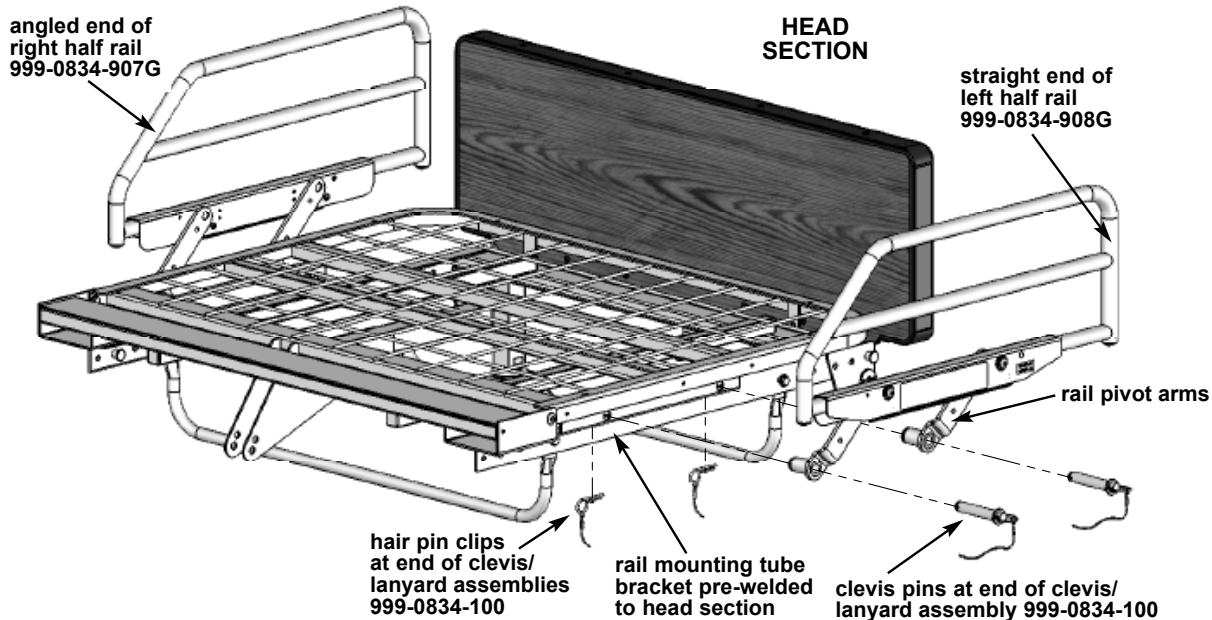
### Reverse Trendelenburg Position



1. Raise the bed platform to its highest height. Disengage the HI / LO drive shaft by compressing the spring fitting at the head end and removing it from the head gear shaft and foot HI / LO motor: perform step 3 on page 15.
2. With the bed now in its highest position, use the pendant middle-button HI / LO function to lower the foot bed end to its lowest position. The head end will remain in the high position.

## 7 ASSEMBLING AND INSTALLING OPTIONAL SWING-DOWN, QUICK-RELEASE HEAD RAILS

The Bariatric Bed has the option of half rail installation on the head section. The rails mount on brackets which have been pre-welded onto the head section. A quick-release system will allow the caregiver to quickly remove or attach the rails as needed.



1. Align the rails so that the pivot arms face inward toward the bed and the straight ends of the rails face the head end as shown above.
2. From the outside, insert the clevis end of the quick-release clevis / lanyard assembly through the rail pivot arm holes, leaving the other end with hair pin clip hanging freely.
3. Insert the rails (with clevis pin) into the two holes in the tube mounting brackets on the underside of the head section assembly as shown above.
4. From the inside, secure the clevis pins to the brackets using the other end of the clevis / lanyard assembly. Slide the hair pin clips through the small holes in the ends of the clevis pins.

**Info:** When ordering Head Rails for the ABL-B700 Bariatric Bed, order Kit # A8340.

**Info:** The hardware bag included in the rail kit contains both the quick-release clevis / lanyard assembly to attach the rails to the ABL-B700 DC Bariatric Bed and the bolts and hardware needed to attach both rails of the older AC Bariatric Beds. Two rail brackets are also included in the hardware bag that are not used on the ABL-B700 DC Bariatric Bed. Discard the rail brackets and bolts and any other hardware that you do not use.

### Optional Foot Rails

Foot rails are available for the ABL-B700 Bariatric Bed. They require bolting two mounting brackets to the foot section. The rails, brackets, hardware, and quick-release lanyards are included in the kit.

**Info:** When ordering Foot Rails for the ABL-B700 Bariatric Bed, order Kit # A8510.

## BED RAIL SAFETY

**⚠ WARNING:** If bed rails are not properly installed and adjusted, personal injury and / or damage to the bed rail could result.

For information on Bed Rail safety, please see the FDA's brochure concerning Bed Safety and Bed Rails on the FDA website, at

[www.fda.gov/MedicalDevices/ProductsandMedicalProcedures/GeneralHospitalDevicesandSupplies/HospitalBeds/](http://www.fda.gov/MedicalDevices/ProductsandMedicalProcedures/GeneralHospitalDevicesandSupplies/HospitalBeds/)

**⚠ WARNING:** Patient entrapment with bed side rails may result in serious injury or death. Use only with coherent patients capable of avoiding entrapment. Patients at risk of entrapment include those who have problems with memory, sleeping, incontinence, pain, uncontrolled body movement or who get out of bed and walk unsafely without assistance. For at-risk patients, use only with proper bed side rail protective barriers. There is also an increased risk of entrapment when bed rails are used in conjunction with a low air loss product.

**⚠ WARNING:** Bed side rails are not restraining devices. If restraint is required, use only proper protective restraints. Follow the manufacturer's instructions and applicable regulations. Monitor patient frequently.

**⚠ WARNING:** DO NOT push or pull the bed by the bed rails.

**⚠ WARNING:** GF Health Products, Inc. assumes no responsibility for any damage or injury caused by improper installation of bed rails or unauthorized bed rail use. Only Lumex bed rails are recommended for use with the ABL-B700 Bariatric Bed. Please consult the instructions that accompany your Lumex bed rails for complete rail assembly and installation instructions.

## 8 MAINTENANCE AND SAFETY CHECKS

- ⚠ **WARNING:** Perform the following maintenance program to assure that the ABL-B700 Bariatric Bed continues to operate correctly. Perform these checks at least once a year and between patient placements.
- ⚠ **WARNING:** Do not try to modify the Bariatric bed in any way. Unauthorized modification could change the structure of the bed, void the warranty, and create a hazardous condition which could result in serious personal injury.
- ⚠ **WARNING:** If you experience a problem with the Bariatric Bed and are unable to resolve it yourself, please contact your GF authorized distributor.

### CHECK ELECTRONICS FREQUENTLY

1. Using the pendant, ensure all functions work properly and that each button performs the appropriate function (see **Bed Operation with Hand Control Pendant**).
  2. Check all plugs and cables for damage, wear, and frayed wires, including:
    - power cord
    - head motor cable
    - HI / LO motor cable
    - foot motor cable
    - pendant cable
- ⚠ **WARNING:** Do not use the bed if cables or plugs are damaged or defective. Defective cables or plugs could result in fire or electric shock.
3. Ensure all wires are routed and attached properly to the bed frame with cable ties so that they do not interfere with any moving parts.
  4. Ensure all plugs are fully inserted and secured in the proper receptacles.
  5. Ensure all hardware used to secure the control box is properly tightened.

### CHECK BED FRAME AND SLEEPING SURFACE FOR STABILITY

1. Visually check all the welds, ensuring that there are no stress cracks:
  - check the head section
  - check the foot section
  - check the main frame
2. Check all joints between the sleeping surface sections for loose fasteners.
3. Inspect all center mounting rivets and latches to ensure they are not sheared off or bent.
4. Inspect all head and foot section surfaces for any bends, warping, or stress damage.

### CHECK HEAD AND FOOT BED ENDS FOR SAFETY AND WEAR

1. Inspect the end panels and trim for any wear holes and / or sharp edges.
2. Inspect the corner locks and locking hardware for any wear, cracks, or stress damage.

## **CHECK HI / LO DRIVE SHAFT FOR PROPER FUNCTIONALITY**

1. Ensure the center spring button functions properly and locks both sections.
2. Inspect the connections at both head and foot ends for any wear or bends.
3. Inspect the entire length of the HI / LO drive shaft for any bends or stress damage.

## **CHECK CASTERS FOR PROPER OPERATION**

1. Ensure the locking casters are positioned at opposite ends diagonally.
2. Check the locking function on both locking casters, ensuring they work well and lock properly without restriction.
3. Check to ensure all casters roll freely without restriction when unlocked.

## **MECHANICAL HARDWARE MAINTENANCE**

Check all securing hardware (i.e. bolts, nuts, clevis pins, circle cotters) to ensure they are secured and / or tightened properly.

## **CLEANING THE BED**

**⚠ WARNING: Unplug the bed from the electrical outlet before servicing or cleaning.**

### **Cleaning the Metal Components**

All metal parts of the bed have been covered with a baked-on epoxy coating.

1. To clean coated metal parts: Wipe with a clean, soft cloth dampened with mild detergent and warm water.
2. To clean the mattress deck: Remove the mattress, then wipe mattress deck with a clean, soft cloth dampened with mild detergent and warm water. Allow to air dry before replacing mattress.
3. To remove dust from the frame: Carefully raise the head and foot sections of the bed and wipe the frame with a clean, soft cloth.

### **Cleaning the Hand Control Pendant**

Wipe the hand control pendant with a clean, soft cloth dampened with mild detergent and warm water. Air dry.

**▲ NOTICE: Do not use corrosive or powdered cleansers to clean the hand control pendant.**

**▲ NOTICE: Do not immerse or soak the hand control pendant.**

## 9 SPECIFICATIONS

### ELECTRICAL

- Full electric three function operation
- Motors: 120V 50 / 60Hz, Max. 3.5 amps

### SHIPPING WEIGHT

- 295 lb

### WEIGHT CAPACITY

- ⚠ WARNING: ABL-B700 Bariatric Bed maximum weight capacity:**  
**700 lb total weight including patient, mattress, accessories, rails, etc., EVENLY DISTRIBUTED.**  
**600 lb maximum patient weight, EVENLY DISTRIBUTED.**

### CONSTRUCTION

- Frame: .1875 steel angle
- Sleeping surface: 11 GA (.120) hot rolled steel
- Self-wrenching nut assembled for easy part replacement
- Split frame with removable ends for easy transport
- Truss-reinforced frame
- Ball screw bed ends
- Heavy-duty grid-style sleeping surface
- Optional swing-down-style trigger rail

### FINISH

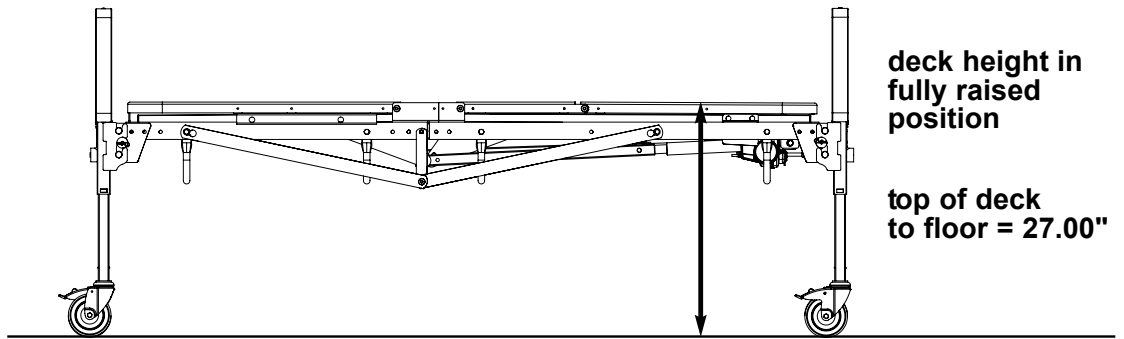
- Features an antimicrobial powder coat process which has been proven to inhibit the growth of damaging and disease-causing microbes (bacteria, mold, fungus, algae, etc.) on the surface of coated items. Recorded result-reduction of bacteria has been 99.9%.



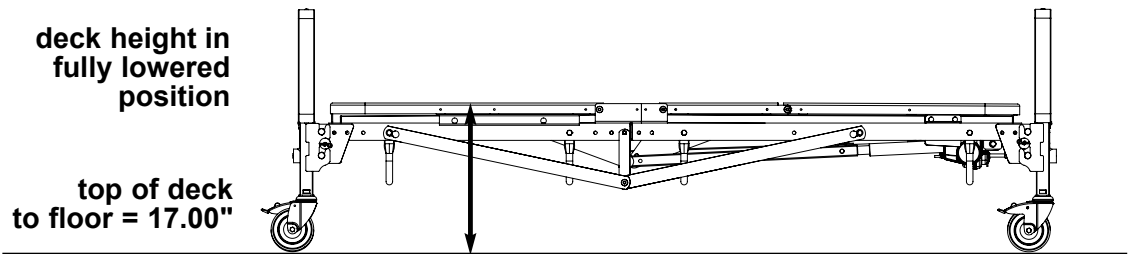
# DIMENSIONS: HEIGHT, LENGTH AND WIDTH

The following diagrams depict the various positions and dimensions of the ABL-B700 Bariatric Bed.

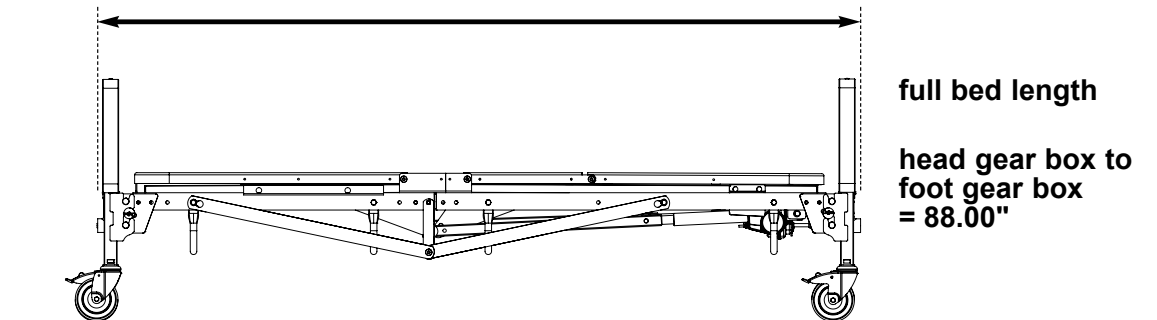
## Deck Height, High Position



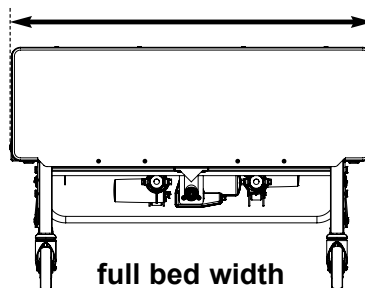
## Deck Height, Low Position



## Bed Length

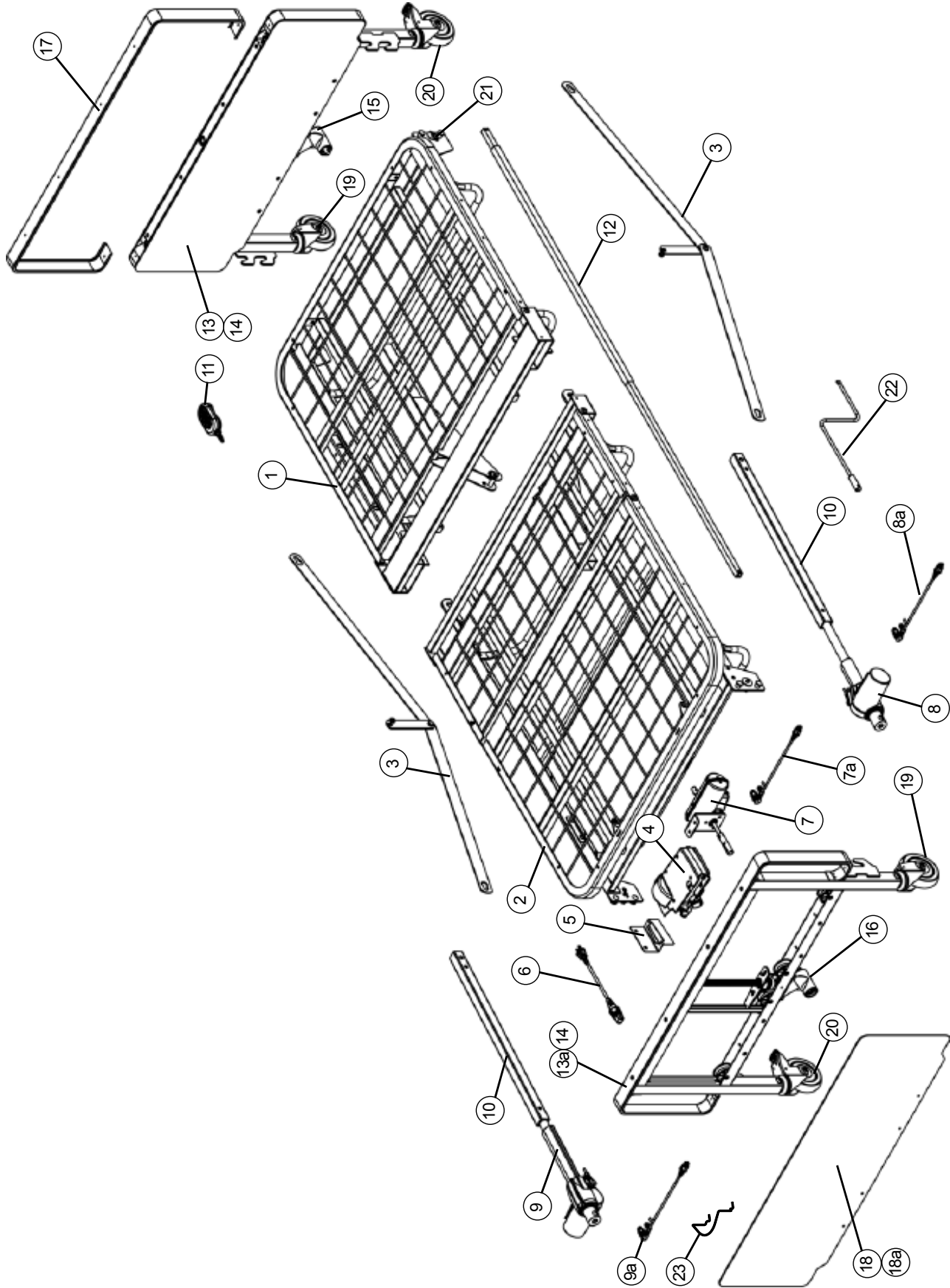


## Deck Width



# 10 SERVICE PARTS

## SERVICE PART DIAGRAM



## SERVICE PART REFERENCE LIST

The bed diagram on the previous page and the following list of service parts have been provided for your convenience. Keep this list in a secure location and use it as a reference when ordering new or replacement parts. Keep the bed's serial number and manufacture date handy for reference; for your convenience, page 31 has a place to record them.

ITEM	PART NUMBER	DESCRIPTION	QUANTITY
1	650-6100-901	Head section	1 each
2	650-6104-902	Foot section with 3 motors and control box	1 each
3	650-3001-915	Truss assembly	2 each
4	650-3002-300	Control / Junction box with mounting bracket	1 each
5	999-0776-028G	Control / Junction box mounting bracket	1 each
6	999-0775-206	2-prong control box power cord	1 each
7	650-3002-914	HI / LO motor with coupler and mounting bracket	1 each
7a	999-0822-204	20.0" HI / LO motor cable [blue o-ring]	1 each
8	650-3002-052	Head motor	1 each
8a	999-0778-204	8.0" head motor cable [yellow o-ring]	1 each
9	650-3002-053	Foot motor	1 each
9a	999-0808-204	25.5" foot motor cable [red o-ring]	1 each
10	650-3001-131G	Motor tubes	2 each
11	650-3002-305	Hand Control Pendant and cable	1 each
12	554-2018-901	HI / LO drive shaft	1 each
13	650-6002-000H	Head bed end assembly	1 each
13a	650-6002-000F	Foot bed end assembly	1 each
14	650-6002-000	Bed end set - head and foot assemblies	set of 2
15	600-2001-910	Head end gearbox - right angle elbow	1 each
16	600-2001-912	Foot end gearbox - right angle elbow	1 each
17	650-2001-059	Single bed end cap	1 each
18	650-2001-015	Single medium oak bed end panel	1 each
18a	650-2001-015-4	Medium oak bed end panels	set of 4
19	100-6350-061	Single square caster post with non-locking caster	1 each
20	100-6350-060	Single square caster post with locking caster	1 each
21	650-1000-000	Bed end locking hardware (clevis pin, washer, and hair pin clip)	set of 4
22	554-2001-920	Manual emergency crank	1 each
23	554-0769-000	Mattress retainer	set of 2

**⚠ WARNING: The use of non-Lumex replacement parts could change the structure of the bed, void the warranty, and create a hazardous condition, which could result in serious personal injury.**

# 11 LIMITED WARRANTY

## SCOPE OF WARRANTY

GF Health Products, Inc. (“GF”) warrants to the original purchaser only that it will replace or repair components, at GF’s sole discretion, that are defective in material or workmanship under normal use and service. All warranties are conditioned upon the proper use of the products strictly in accordance with good commercial practice and applicable GF instructions and manuals, including proper use and maintenance. To the extent that a component is warranted by a third party, GF conveys all of its rights under that warranty to the original purchaser, to the extent permitted.

This limited warranty shall only apply to defects that are reported to GF’s customer service team within the applicable warranty period and which, upon examination by GF or its authorized representative, prove to be a warranty item. This limited warranty is not transferable.

The warranted components and time period are set forth below:

- Mechanical components: .....two years
- Electrical components:.....three years
- Frame and Deck welds:.....five years
- All other durable components not listed above: .....one year
- Subsequent service parts under warranty: .....until the original warranty set forth above expires, or for one year, whichever is greater.

The applicable warranty period shall commence from date of shipment to the original customer, unless there is an expiration date on the component in which case the warranty shall expire on the earlier of warranty period or the expiration date.

## OBTAINING WARRANTY SERVICE

This limited warranty shall only apply to defects that are reported to the Distributor from whom the Customer purchased the product within the applicable warranty period. If there is not a Distributor, you must contact GF directly by calling 770-368-4700, sending a fax request to 770-368-2386, or by e-mailing a request to [cs@grahamfield.com](mailto:cs@grahamfield.com). Specific directions will be provided by the Customer Service Representative. Failure to abide by the specific directions will result in denial of the warranty claim.

## EXCLUSIONS

The warranty does not cover and GF shall not be liable for the following:

- 1) Defects, damage, or other conditions caused, in whole or in part, by misuse, abuse, negligence, alteration, accident, freight damage, tampering or failure to seek and obtain repair or replacement in a timely manner;
- 2) Products which are not installed, used, or properly cleaned and maintained as required in the official manual for the applicable product;
- 3) Products considered to be of a non-durable nature including, but not limited to: casters, filters, fuses, gaskets, lubricants, and charts;
- 4) Accessories or parts not provided by GF;
- 5) Charges by anyone for adjustments, repairs, replacement parts, installation or other work performed upon or in connection with such products which are not expressly authorized in writing, in advance, by GF;

- 6) Any labor or shipping charges incurred in the replacement part installation or repair;
- 7) Costs and expenses of regular maintenance and cleaning; and
- 8) Representations and warranties made by any person or entity other than GF.

## **ENTIRE WARRANTY, EXCLUSIVE REMEDY AND CONSEQUENTIAL DAMAGES DISCLAIMER**

THIS WARRANTY IS GF'S ONLY WARRANTY AND IS IN LIEU OF ALL OTHER WARRANTIES, EXPRESS OR IMPLIED. GF MAKES NO IMPLIED WARRANTIES OF ANY KIND INCLUDING ANY IMPLIED WARRANTIES OF MERCHANTABILITY OR FITNESS FOR A PARTICULAR PURPOSE.

IF ANY MODEL OR SAMPLE WAS SHOWN TO THE CUSTOMER, SUCH MODEL OR SAMPLE WAS USED MERELY TO ILLUSTRATE THE GENERAL TYPE AND QUALITY OF THE PRODUCT AND NOT TO REPRESENT THAT THE PRODUCT WOULD NECESSARILY CONFORM TO THE MODEL OR SAMPLE IN ALL RESPECTS.

THIS WARRANTY IS LIMITED TO THE REPAIR OR REPLACEMENT OF THE DEFECTIVE PARTS. GF SHALL NOT BE LIABLE FOR AND HEREBY DISCLAIMS ANY DIRECT, SPECIAL, INDIRECT, INCIDENTAL, EXEMPLARY OR CONSEQUENTIAL DAMAGES, INCLUDING, BUT NOT LIMITED TO: DAMAGES FOR LOSS OF PROFITS OR INCOME, LOSS OF USE, DOWNTIME, COVER, OR EMPLOYEE OR INDEPENDENT CONTRACTOR WAGES, PAYMENTS AND BENEFITS.

The warranties contained herein contain all the representations and warranties with respect to the subject matter of this document, and supersede all prior negotiations, agreements and understandings with respect thereto. The recipient of this document hereby acknowledges and represents that it has not relied on any representation, assertion, guarantee, warranty, collateral contract or other assurance, except those set out in this document.

For additional information on this product or this warranty, please contact a GF Customer Service Representative.

### **NOTES:**

- 1) Additional terms and conditions may apply.
- 2) Freight claims must be notated on the appropriate shipping documents and must be made with immediacy. International, federal and state regulations govern specific requirements for freight claims. Failure to abide by those regulations may result in a denial of the freight claim. GF will assist you in filing the freight claim.
- 3) Claims for any short shipment must be made within three (3) days of the invoice date.

GF Health Products, Inc.  
2935 Northeast Parkway  
Atlanta, GA 30360  
Tel 770-368-4700  
Fax 770-368-2386  
[www.grahamfield.com](http://www.grahamfield.com)

# 12 INDEX

- A**
  - Actuators 17
  - Assembly instructions 8
  - Assembly, preparing for 7
- B**
  - Bed end locking hardware, installing 14
  - Bed end locking hardware, removing 13
  - Bed ends, assembling 13
  - Bed frame and sleeping surface, check 22
  - Bed length 25
  - Bed operation 18
  - Bed operation with hand control pendant 18
  - Bed rail safety 21
- C**
  - Cabling instructions 11
  - Casters, check 23
  - Casters, installing 12
  - CAUTION labels 4
  - CAUTION, significance 3
  - Cleaning the bed 23
  - Cleaning the hand control pendant 23
- D**
  - DANGER, significance 3
  - Deck height, high position 25
  - Deck height, low position 25
  - Deck width 25
- E**
  - Electrical equipment and cables 17
  - Electronics, check 22
- F**
  - Foot rails, optional 20
  - Freight policy, GF Health Products, Inc. 6
- H**
  - Handling 6
  - Hardware maintenance 23
  - Head and foot bed ends, check 22
  - Head and foot bed ends, installing 13
  - Head and foot sections, assembling 8
  - Head rails, optional swing-down, quick-release, assembling and Installing 20
  - HI / LO drive shaft, check 23
  - HI / LO motor drive shaft, assembling and installing 15
- I**
  - Important safety precautions 4
  - Info, significance 3
  - Introduction 3
- L**
  - Limited warranty 28
- M**
  - Maintenance and safety checks 22
  - Motors 17
- N**
  - Notes 31
  - NOTICE, significance 3
- S**
  - Service on electronics 5
  - Service part diagram 26
  - Service part reference list 27
  - Service parts 26
  - Shipping cable ties, remove 7
  - Signal words 3
  - Specifications 24
- T**
  - Tools required to perform assembly 3
  - Trendelenburg position 19
  - Trendelenburg position, reverse 19
- U**
  - Unpacking 6
- W**
  - WARNING labels 4
  - WARNING, significance 3
  - Warranty, limited 28
  - Weight capacity 24
  - Weight, shipping 24

# 13 NOTES

**Serial number:** \_\_\_\_\_

\_\_\_\_\_

**Manufacture date:** \_\_\_\_\_

\_\_\_\_\_

\_\_\_\_\_

\_\_\_\_\_

\_\_\_\_\_

\_\_\_\_\_

\_\_\_\_\_

\_\_\_\_\_

\_\_\_\_\_

\_\_\_\_\_

\_\_\_\_\_

\_\_\_\_\_

\_\_\_\_\_

\_\_\_\_\_

\_\_\_\_\_

\_\_\_\_\_

\_\_\_\_\_

\_\_\_\_\_

\_\_\_\_\_

\_\_\_\_\_

\_\_\_\_\_

\_\_\_\_\_

\_\_\_\_\_

\_\_\_\_\_

\_\_\_\_\_

\_\_\_\_\_

\_\_\_\_\_

\_\_\_\_\_

\_\_\_\_\_

\_\_\_\_\_

\_\_\_\_\_

\_\_\_\_\_

\_\_\_\_\_

\_\_\_\_\_

\_\_\_\_\_

\_\_\_\_\_

\_\_\_\_\_

\_\_\_\_\_

\_\_\_\_\_

\_\_\_\_\_



• • •