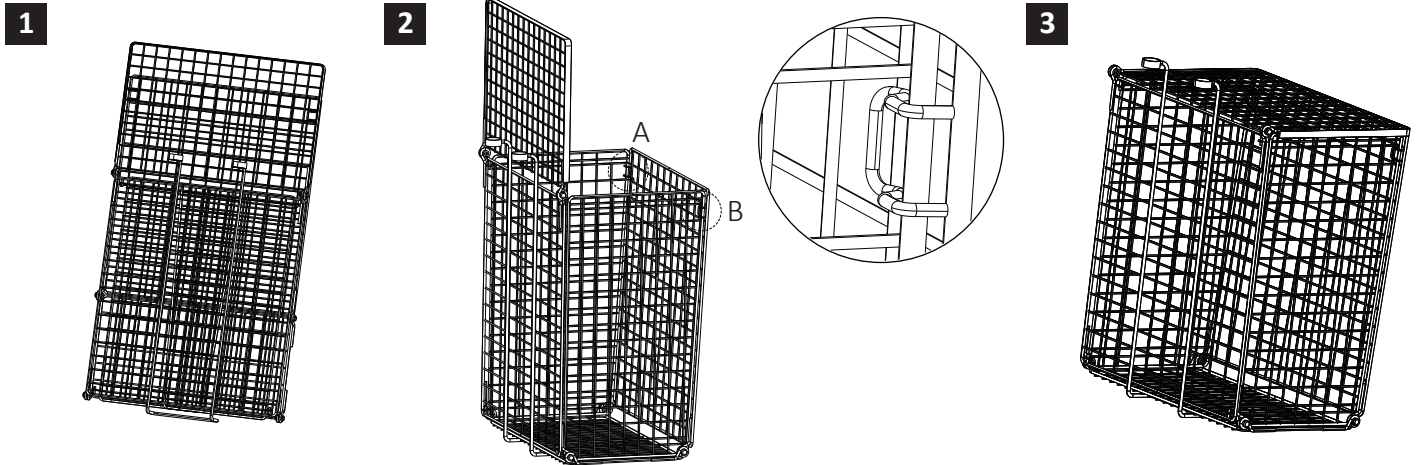


Model: **Max Plus** Installation Guide

Assemble the basket

Unfold the folding basket and fasten the basket buckle to complete the assembly.
Note: Double-check all the fasteners to make sure they are securely tightened.



Install the basket

Press the backrest button of the personal mobility device, remove the backrest, and place it in the hook of the basket. Install the basket onto the personal mobility device.

