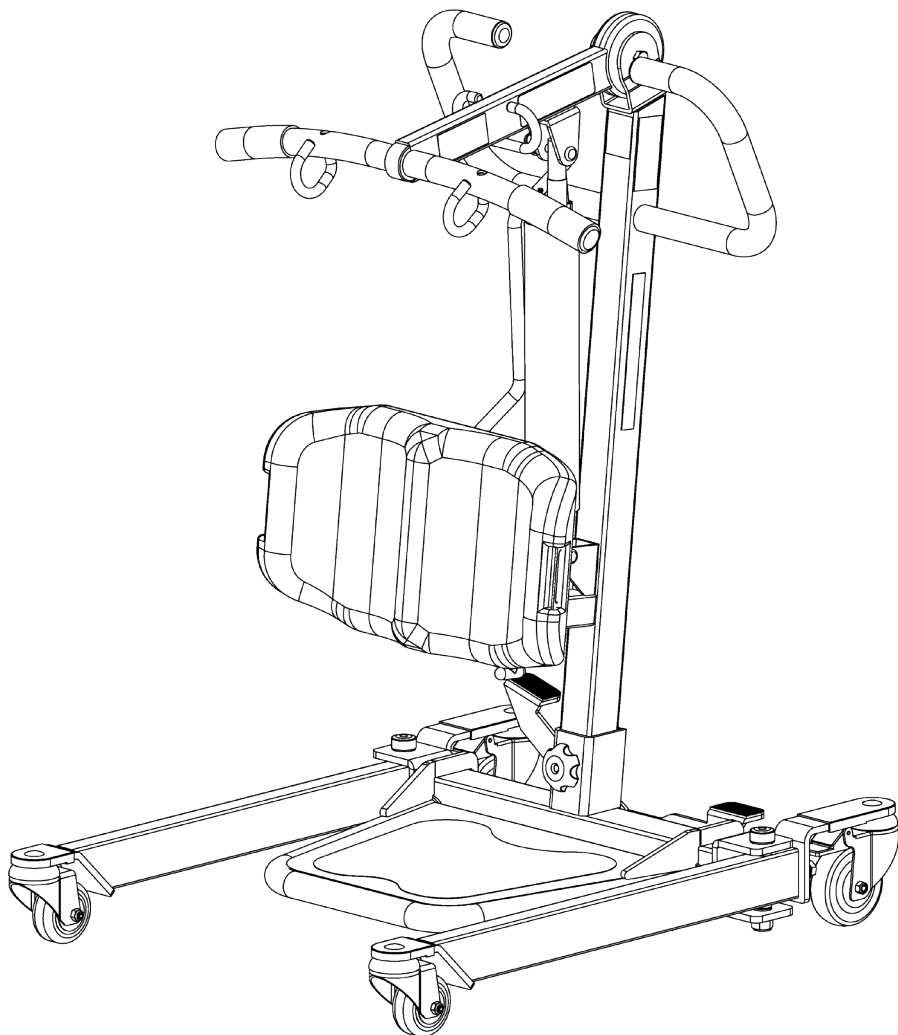
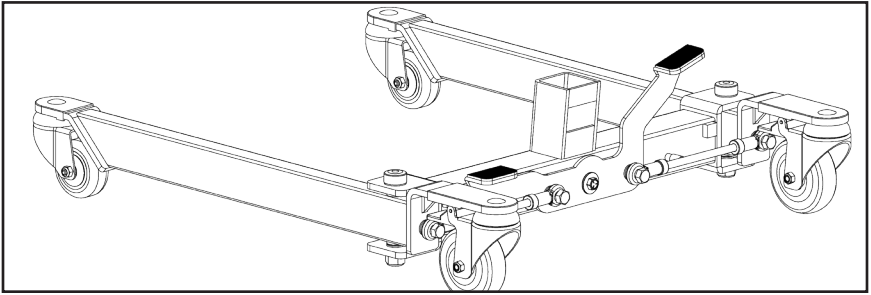


Configure Your SA400H/HE for First Use

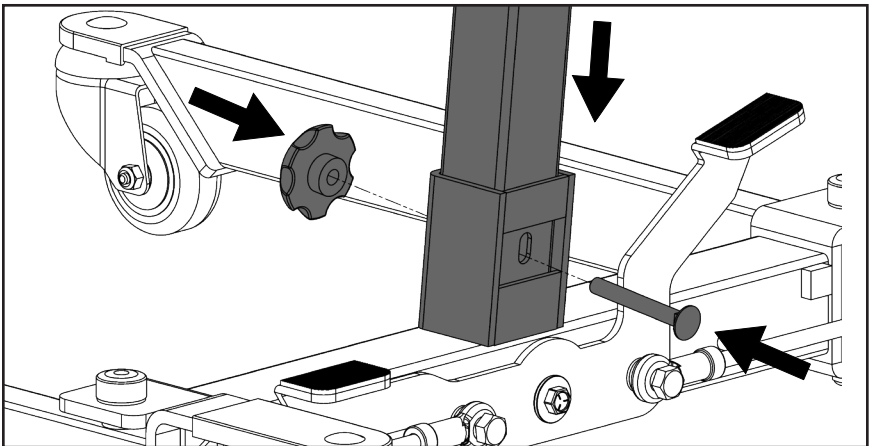


Note: Model shown is SA400H

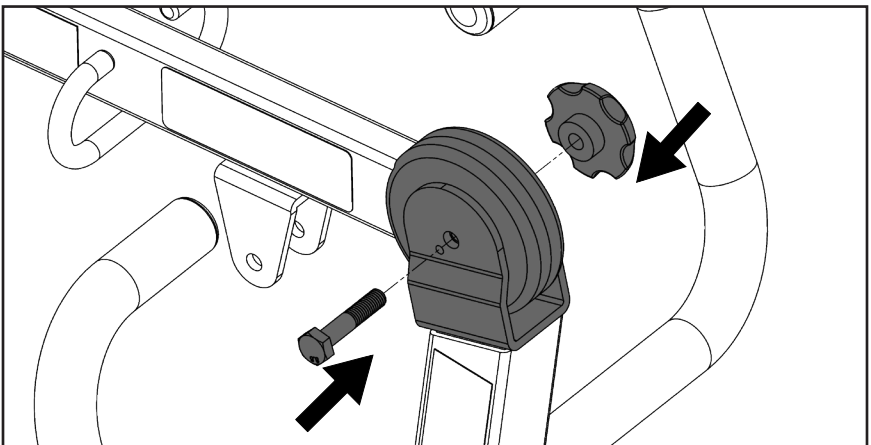
Step 1: Remove the base from box.



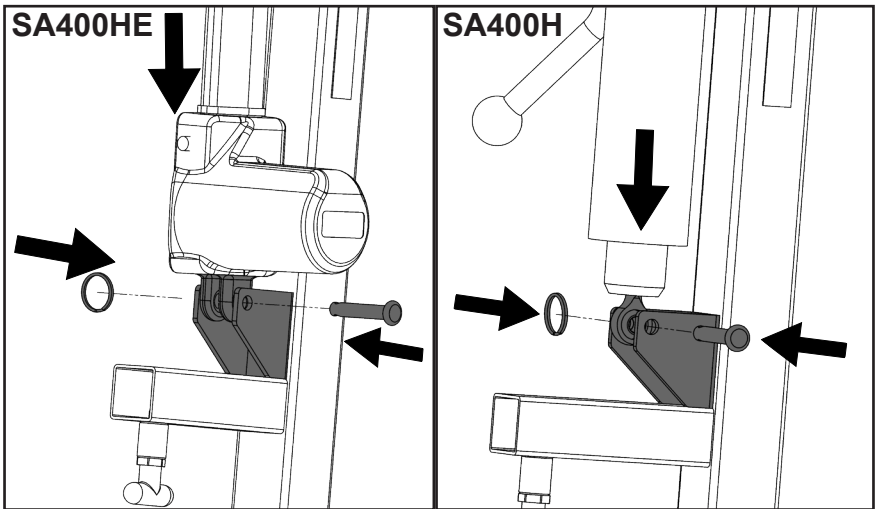
Step 2: Insert the mast and secure it using the bolt and threaded knob as follows.



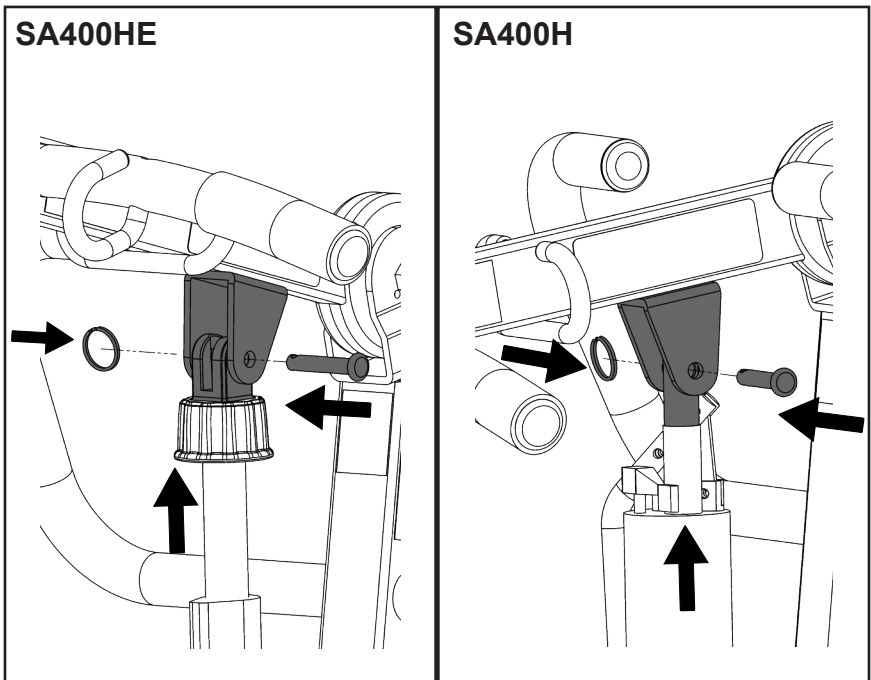
Step 3: Insert the boom to the mast and secure it using the bolt and threaded knob as follows.



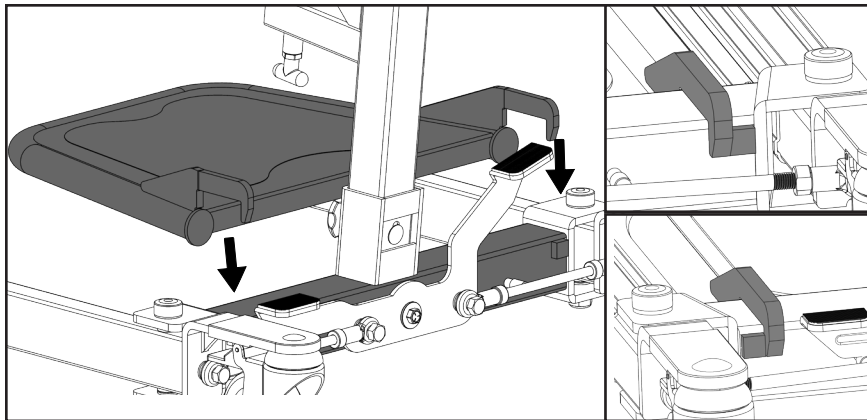
Step 4: Insert the lower end of the actuator (SA400HE) or the hydraulic pump (SA400H) to the bracket on the mast and secure it using a pin and retaining ring as follows.



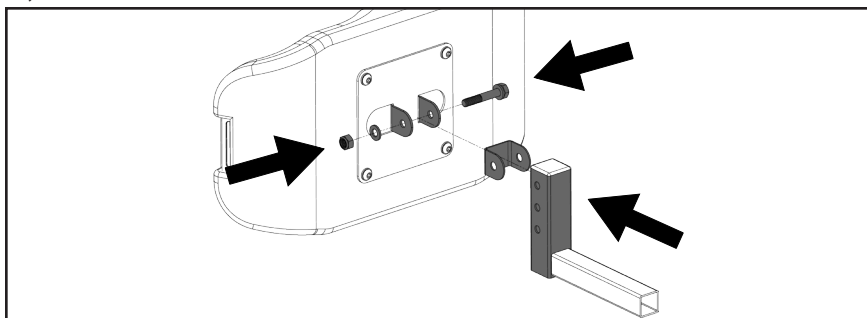
Step 5: Insert the upper end of the actuator (SA400HE) or the hydraulic pump (SA400H) to the bracket on the boom and secure it using a pin and retaining ring as follows.



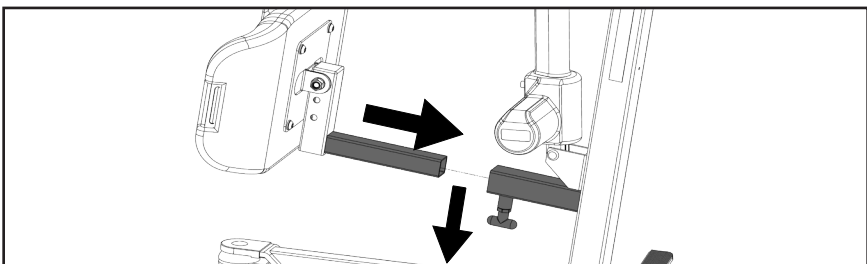
Step 6: Attach the footplate to the base using the two hooks by lowering it onto the top surface of the base. Make sure the hooks are sitting in between the two small blocks protruding at the back of the base.



Step 7: Install the kneepad frame with the plastic U washer to the kneepad. Choose one of the three holes on the tube depending on the desired kneepad height. Then secure it using bolt, nut and washers as follows.



Step 8: Pull the depth adjustment handle down and insert the kneepad frame into the receiving tube located on the mast. Release the handle and continue sliding the kneepad frame until the handle clicks to ensure kneepad frame is locked in place.



Step 9: For SA400HE model, refer to “Quick Setup Guide to TiMotion Electronics” to install the controller.