

INSTRUCTIONS FOR USE

Bolero



WARNING

To avoid injury, always read this Instructions for Use and accompanied documents before using the product.



Mandatory to read the Instructions for Use

Design Policy and Copyright

® and ™ are trademarks belonging to the Arjo group of companies.

© Arjo 2019.

As our policy is one of continuous improvement, we reserve the right to modify designs without prior notice. The content of this publication may not be copied either whole or in part without the consent of Arjo.

Contents

Foreword	4
Intended Use	5
Safety Instructions	6
Preparations.....	7
Parts Designation	8
Product Description/Functions	10
Battery Charger	10
Manual Raising and Lowering	10
Electric Raising and Lowering	10
Backrest and Leg Support	11
Handlebars	11
Storage	12
Adjustment of Stretcher Length	12
Mattresses	12
Safety Belts	13
Brakes	15
Emergency Stop	15
Emergency High/Low	15
Scale (optional)	16
Side Support (Accessory)	16
Transfer the Patient	17
From Bed	17
To Bed	19
Bath the Patient	20
Cleaning and Disinfection Instructions	21
Battery Instruction	24
Care and Preventive Maintenance	26
Troubleshooting	30
Technical Specifications	32
Dimensions	34
Labels	38
List of Standards and Certificates	39
Electromagnetic Compatibility	40
Parts and Accessories	42

Foreword

Thank you for purchasing Arjo Equipment

Your Bolero® lift bath trolley is part of a series of quality products designed especially for hospitals, nursing homes and other health care use.

Please contact us if you have any questions about the operation or maintenance of your Arjo equipment.

Please read this *Instructions for Use* thoroughly!

Please read this *Instructions for Use (IFU)* in its entirety before using your *Bolero* lift bath trolley. Information in this *IFU* is crucial to the proper operation and maintenance of the equipment, and will help protect your product and make sure that equipment performs to your satisfaction. Some of the information in this *IFU* is important for your safety and must be read and understood to help prevent possible injury.

Arjo strongly advise and warn that only Arjo designed parts, which are designed for the purpose, should be used on equipment and other appliances supplied by Arjo, to avoid injuries attributable to the use of inadequate parts.

Unauthorized modifications on any Arjo equipment may affect its safety. Arjo will not be held responsible for any accidents, incidents or lack of performance that occur as a result of any unauthorized modification to its products.

Serious incident

If a serious incident occurs in relation to this medical device, affecting the user, or the patient then the user or patient should report the serious incident to the medical device manufacturer or the distributor. In the European Union, the user should also report the serious incident to the Competent Authority in the member state where they are located.

Service and Support

Service should be performed regularly on your *Bolero* lift bath trolley to make sure the safety and operating procedures of your product. See section *Care and Preventive Maintenance* on page 26.

If you require further information, please contact Arjo for comprehensive support and service programs to maximize the long-term safety, reliability and value of the product.

Contact Arjo for replacement parts. Contact information appears on the last page of this *IFU*.

Definitions in this *IFU*

WARNING

Means: Safety warning. Failure to understand and obey this warning may result in injury to you or to others.

CAUTION

Means: Failure to follow these instructions may cause damage to all or parts of the system or equipment.

NOTE

Means: This is important information for the correct use of this system or equipment.



Means: The name and address of the manufacturer



Means: Mandatory to read the Instructions for Use.

Intended Use

This equipment must be used in accordance with these safety instructions. Anyone using this equipment must also have read and understood the instructions in this *Instructions for Use (IFU)*.

If there is anything you do not completely understand, ask your Arjo representative.

This equipment is intended for lifting and transferring adult residents to and from a bathroom in a care facility and to be used in an assisted bathing process.

Bolero must be used by appropriately trained caregivers with adequate knowledge of the care environment, its common practices and procedures, and in accordance with the guidelines in the *Instructions for Use (IFU)*.

The *Bolero* should only be used for the purpose specified in its *IFU*. Any other use is prohibited.

Resident Assessment

We recommend that facilities establish regular assessment routines.

Caregivers should assess each resident according to the following criteria prior to use:

- The resident's weight should not exceed 136 kg (300 lbs).
- The resident must be able to understand and respond to instructions to remain in a safe laying position on the stretcher or remain in such a position as a result of a limited physical capacity for movement.

If a resident does not meet these criteria an alternative equipment or system shall be used.

Lifetime of the Equipment

The equipment must only be used for the purposes stated above.

The lifetime of this equipment is ten (10) years and the service life of the safety belt is two (2) years. Depending on the storage of the battery, the use frequency and the charging intervals, the service life for the battery is 2-5 years.

The lifetime and service life are stated providing that the preventative maintenance are being carried out in accordance with the instructions for care and maintenance in this *IFU*.

Depending on level of wear some equipment such as castors and hand control may need to be replaced during the equipment lifetime according to information in this *IFU*.

Safety Instructions

WARNING

To avoid entrapment, make sure to keep the patient's hair, arms and feet close to the body and use designated grab supports during any movement.

WARNING

To avoid injury, make sure that the patient is not left unattended at any time.

WARNING

To avoid entrapment, make sure the path of the movement is free from obstacles.

WARNING

To avoid falling, make sure that the patient is positioned in accordance with this *IFU*.

WARNING

To avoid explosion or fire, never use the equipment in oxygen rich environment, in presence of heat source or flammable anaesthetic gases.

WARNING

To avoid the device from tipping and the patient from falling, do not use the equipment on floor with recessed drains, holes or slopes exceeding a ratio of 1:50 (1.15°).

WARNING

To avoid falling, make sure that the patient is positioned correctly and that the safety belt is being used, properly fastened and tightened.

WARNING

To prevent the patient from falling, make sure the safety belts are undamaged. If damaged, do NOT use the safety belts, replace with new ones before use.

WARNING

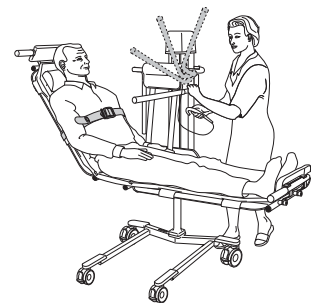
To avoid falling during transfer, always make sure that the brakes are applied on all equipment being used.

WARNING

To avoid falling, make sure that the user weight is lower than the safe working load (SWL) for all products or accessories being used.

NOTE

When positioning the Bolero lift bath trolley, do not stay in the direction of the movement of the hand rest. An unexpected movement upwards, done by the patient, can injure the caregiver. See illustration.

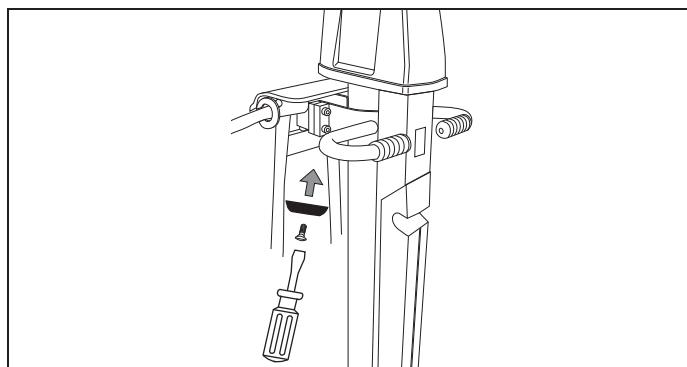


Preparations

Actions Before the First Use

(9 steps)

- 1 Visually check the package for damage.
- 2 The package should be recycled according to local regulations.
- 3 Check that all parts of the product are supplied. Compare with the product description in this *IFU*. If any part is missing or damaged - do NOT use the product!
- 4 Prepare an area, dry with good ventilation for storage of the lift.
- 5 Unpack the battery charger. See “*Battery charger IFU*”
- 6 Charge each battery for 24 h.
- 7 Disinfect the product according to section *Cleaning and Disinfection Instructions on page 21* in this *IFU*.
- 8 Mounting of the enclosed spacer:
The spacer that is mounted on the *Bolero* lift bath trolley when delivered, is adapted to the depth of the Arjo bathtubs.
For deeper baths only: To get a deeper immersion, remove one of the two mounted spacer s on the *Bolero* lift bath trolley. See illustration. Be aware of damage of the surface of the bathtub.



- 9 Choose a designed area, where the *IFU* should be kept, accessible at all times for the users.

NOTE

If you have any questions, please contact your local Arjo representative for support and service. The contact numbers appear on the last page of this *IFU*.

Actions Before Every Use

(4 steps)

- 1 Check that all parts of the *Bolero* lift bath trolley are in place. Compare to section *Parts Designation on page 8*.
- 2 If any part is missing or damaged - do NOT use the product!

3

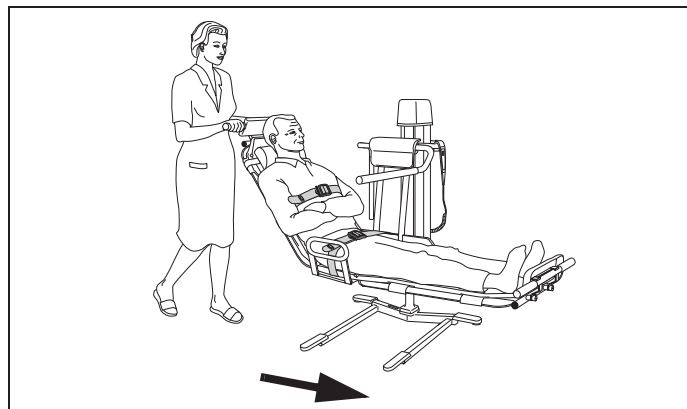
WARNING

To prevent cross-contamination, always follow the disinfection instructions in this *IFU*.

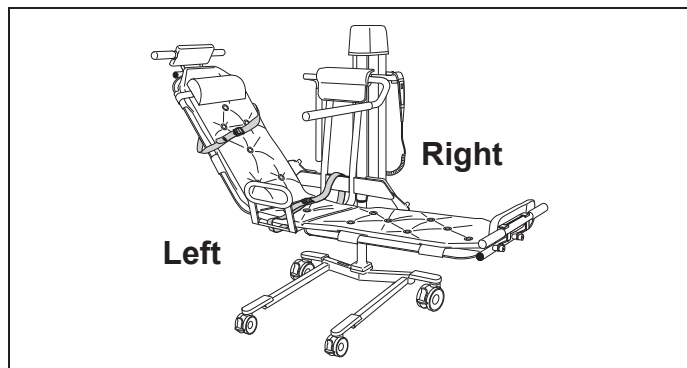
- 4 Make sure that the battery is fully charged (*Bolero*).

Bolero Directions


The *Bolero* lift bath trolley should be moved in the correct direction, i.e. along the stretcher, during patient transfer.



The directions *right* or *left* in this *IFU* are given as below.

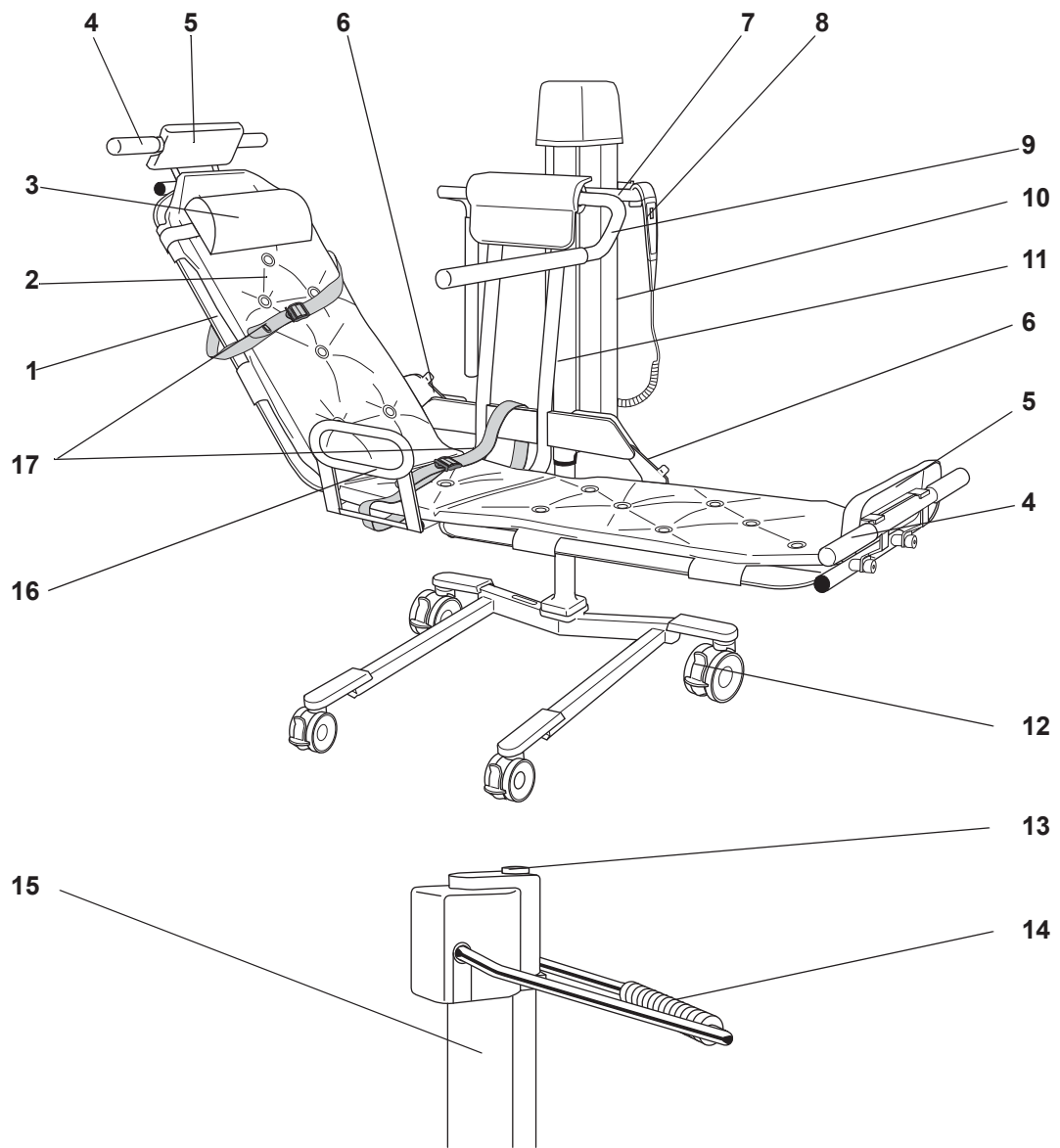


Parts Designation

- 1 3-part stretcher and frame 
- 2 3-part mattress
- 3 Pillow
- 4 Transfer handle
- 5 Footrest
- 6 Locking device for backrest
- 7 Manoeuvring handle
- 8 Hand control (Electrical)
- 9 Handle bar
- 10 Battery (Electrical)
- 11 Pillar (Electrical)
- 12 Castor brake (all four castors)
- 13 Lowering button (Hydraulic)
- 14 Hand pump for raising (Hydraulic)
- 15 Pillar (Hydraulic)
- 16 Side Support (Accessory)
- 17 Safety belts

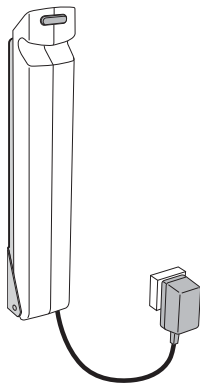


Type B. Applied part: (including all attached parts to the stretcher and frame) protection against electric shock in accordance with EN 60601-1



Product Description/Functions

Fig. 1



Battery Charger

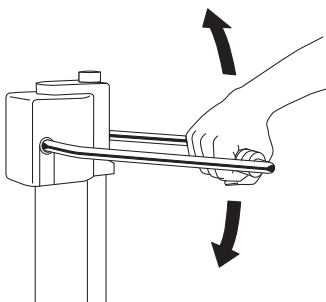
See separate Battery charger IFU.

Fix the battery charger to a suitable wall and connect it to a grounded wall socket. (See Fig. 1)

Type no:

NDA1200-EU,
NDA2200-GB,
NDA4200-US,
NDA6200-AU,
NDA8200-INT.

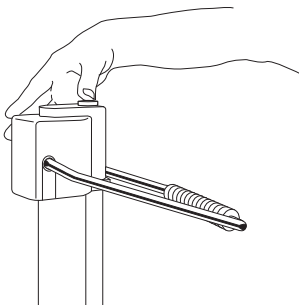
Fig. 2



Manual Raising and Lowering

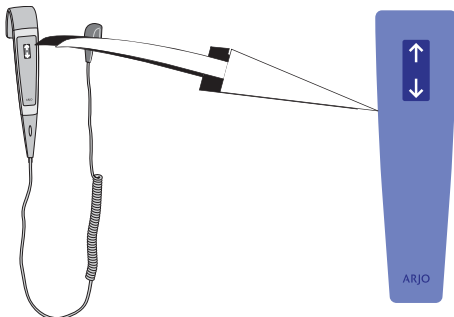
- The stretcher is raised by using the hand pump. Pump evenly, using the full range of movement. (See Fig. 2)

Fig. 3



- The stretcher is lowered by pressing the lowering button. (See Fig. 3)

Fig.4



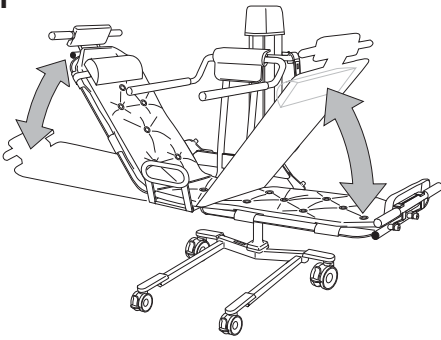
Electric Raising and Lowering

Unhook the hand control from its holder. (See Fig. 4)

- To raise the *Bolero* lift bath trolley, press the “up” arrow on the hand control button.
- To lower the *Bolero* lift bath trolley press the “down” arrow.

Backrest and Leg Support

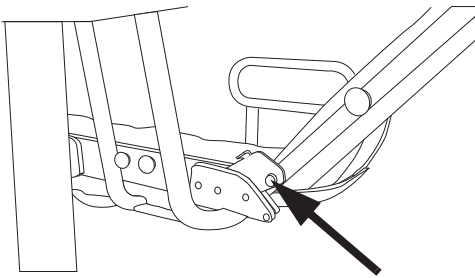
Fig. 1



WARNING

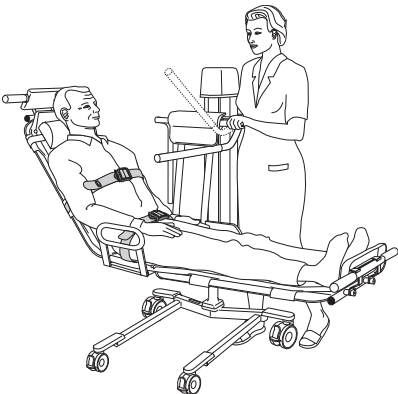
To avoid entrapment, make sure to keep the patients hair, arms and feet close to the body and use designated grab supports during any movement.

Fig. 2



- The *Bolero* lift bath trolley is symmetrical so that either end can be used as the backrest, depending on the orientation of the patient's bed. To change the orientation of the trolley simply move the pillow to the other end. (See Fig. 1)
- Release one of the catches and raise the side selected as backrest to the desired angle. Make sure the backrest is secure by checking that the backrest retainer mechanism is in place. (See Fig. 2)

Fig. 3



Handlebars

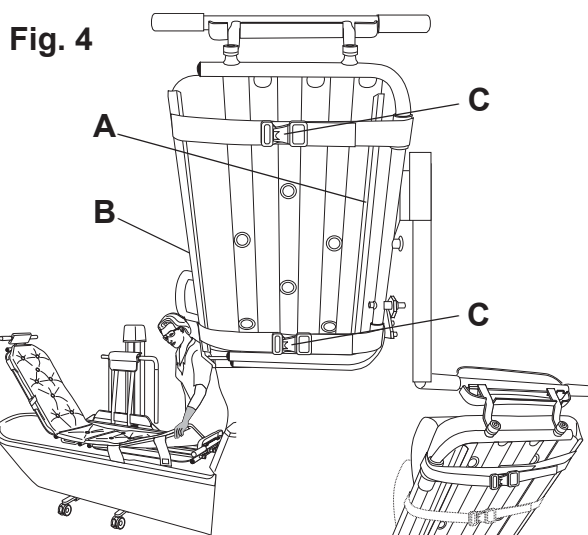
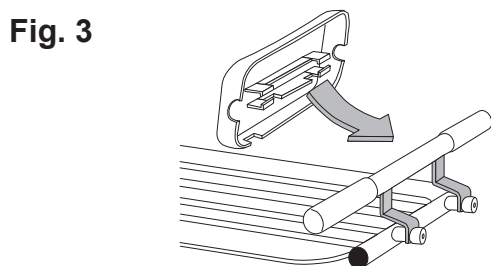
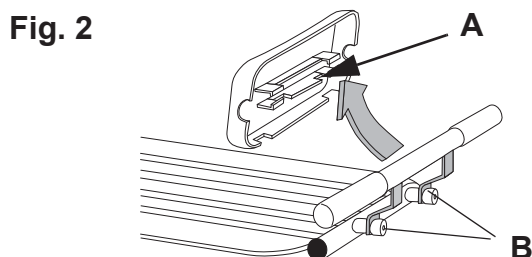
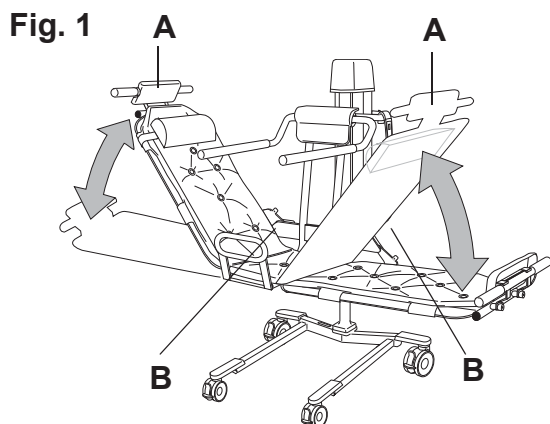
WARNING

To avoid entrapment, make sure to keep the patients hair, arms and feet close to the body and use designated grab supports during any movement.

The *Bolero* lift bath trolley has two foldable handle bars as standard equipment.

During the transfer and bath:

- Lower the handle bar that is placed at the longest distance from the patient's waist. (See Fig. 3)



Storage

- When not used, store the *Bolero* lift bath trolley with the backrest and footrest (A) in their upper positions. (See Fig. 1)
- Raise the backrest and footrest. Check that the catches (B) are in place and that the rests are locked. (See Fig. 2)

Adjustment of Stretcher Length

- Shorten the stretcher:
Undo the head/foot support (A) and the screws (B). (See Fig. 3)
- Turn the support(s) 180°.
Fasten the head/foot support and the screws. (See Fig. 3)

Mattresses

Always start from the edge of the side strip to attach/detach the mattress. (See Fig. 4)

- Attach: Snap the edge of the side strip around the stretcher. Press and drag the palm along the side strip to fasten.
- Detach: Undo the edge of the side strip. Pull and drag along the side strip to detach the mattress.
- Middle part: Snap the side strip adjacent to the pillar round the stretcher. Stretch the mattress and snap the other side strip around to the other side of the stretcher.
- First attach the side strip of the mattress round the side of the stretcher adjacent to the hydraulic pillar (A). (See Fig. 4) Stretch the mattress and fasten the other side strip (B). (See Fig. 4)
- Fix the mattress in place with the quick grips (C). (See Fig. 4)
- Fasten the pillow with the quick grips.

Safety Belts

Use the safety belt at all times.

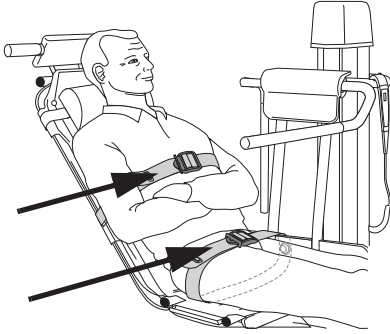
WARNING

To prevent the patient from falling, make sure the safety belts are undamaged. If damaged, do NOT use the safety belts, replace with new ones before use.

WARNING

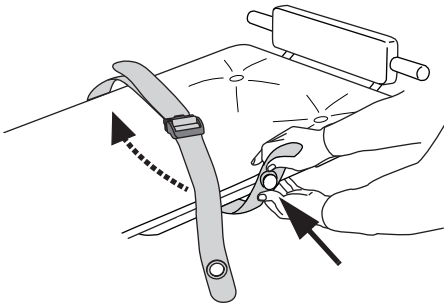
To avoid falling, make sure that the patient is positioned correctly and that the safety belt is being used, properly fastened and tightened.

Fig. 1



The *Bolero* lift bath trolley has two safety belts (chest safety belt and hip safety belt) as standard equipment. (See Fig. 1)

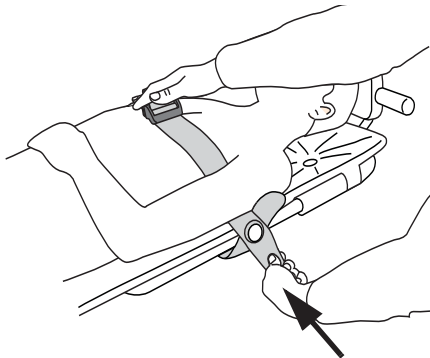
Fig. 2



(7 steps)

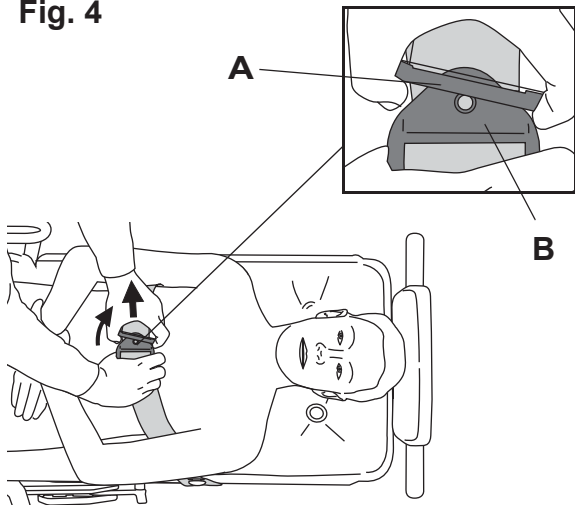
- 1 Attach the safety belts before the patient is seated in the *Bolero* lift bath trolley. Apply the safety belts by placing the eyelet over the knob. The safety belts should be on top of the mattress. (See Fig. 2)

Fig. 3



- 2 Position the patient in the *Bolero* lift bath trolley. Fasten the safety belts to the knobs on the side of the stretcher. (See Fig. 3)

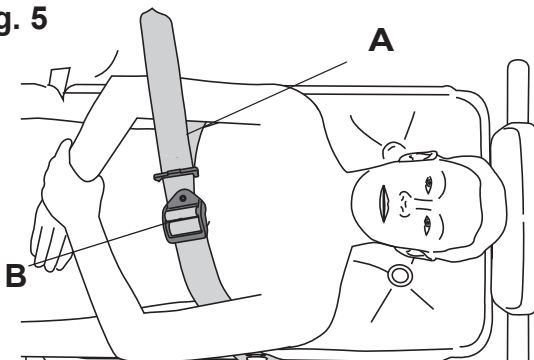
Fig. 4



Adjust the safety belts

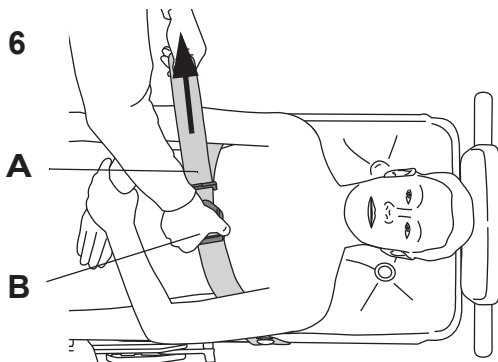
- 3 Pull the fastening clips **(A)** and **(B)** apart by twisting the smaller fastening clip **(A)** slightly upwards. (See Fig. 4)

Fig. 5



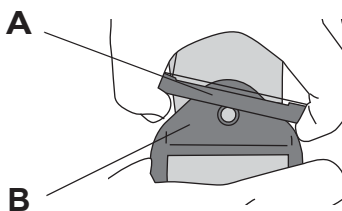
- 4 Loosen the safety belt by pulling the inner strap at the side **(A)** and at the same time lifting the larger fastening clip **(B)**. (See Fig. 5)

Fig. 6



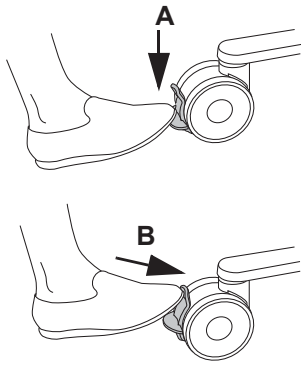
- 5 Tighten the safety belt by pulling the outer strap **(A)** at the side and at the same time holding the larger fastening clip **(B)**. (See Fig. 6)
- 6 Make sure the safety belt is firmly attached to the patient's body.

Fig. 7



- 7 Lock the fastening clips by inserting the smaller fastening clip **(A)** into the larger fastening clip **(B)**. (See Fig. 7)

Fig. 1

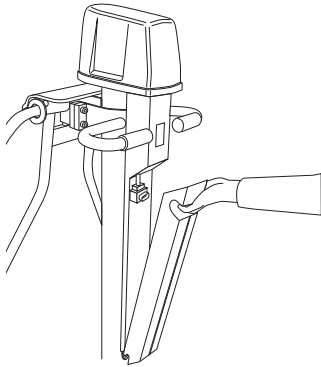


Brakes

The castors will brake by pressing down the castor brake lever (A) with your foot. (See Fig. 1)

The castors are released by pushing up the castor brake lever (B). (See Fig. 1)

Fig. 2

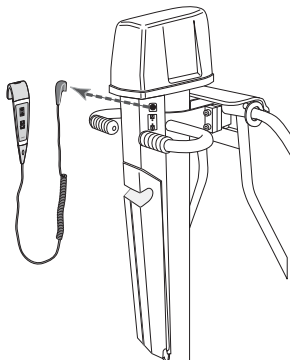


Emergency Stop

If, for any reason, the *Bolero* lift bath trolley does not respond to the control buttons, you can quickly stop lift movement by pressing the button on the battery and disconnect it. (See Fig. 2)

Contact your local Arjo representative before re-using the *Bolero* lift bath trolley.

Fig. 3



Emergency High/Low (5 steps)

If, for any reason, the *Bolero* lift bath trolley does not respond to the control buttons, raise or lower the *Bolero* lift bath trolley by using the Emergency High/Low.

1 Unplug the hand control. (See Fig. 3)

2 Control the *Bolero* lift bath trolley by pressing a blunt, thin object into the holes at the panel. (i.e. a pen). (See Fig. 4)

CAUTION

Do not use an object with sharp tip when pressing in the holes.

3 Press it into the hole next to the **up arrow** in order to raise the *Bolero* lift bath trolley.

4 Press it into the hole next to the **down arrow** in order to lower the *Bolero* lift bath trolley.

NOTE

A continuous beeping sound is heard during action up and down.

5 Contact your local Arjo representative before re-using the *Bolero* lift bath trolley.

Fig. 4

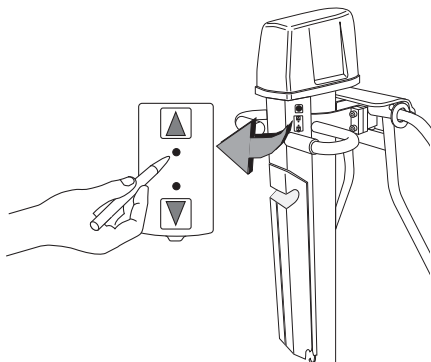
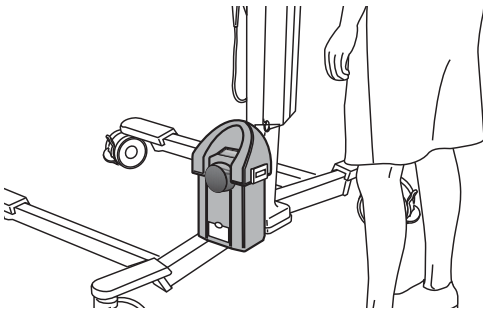


Fig. 1



Scale (optional)

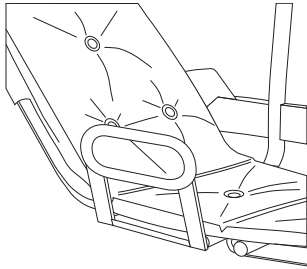
The scale is situated on the chassis. (See Fig. 1)
See *Scale IFU*.

Side Support (Accessory)

(6 steps)

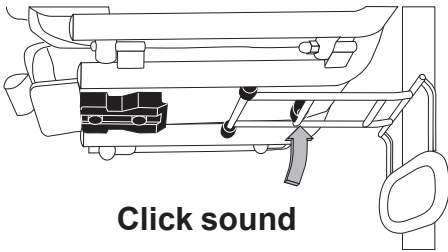
The *Bolero* lift bath trolley can be equipped with a foldable side support. To facilitate the usage of the side support, the hook and loop straps on the middle part of the mattress have to be cut.

Fig. 2



1 When used, the side support is in its locked position directly opposite the pillar. (See Fig. 2)

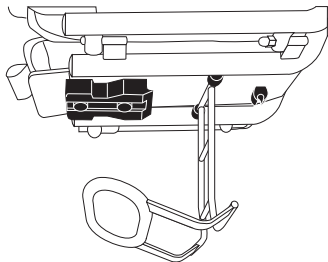
Fig. 3



2 When not used the side support is attached to the bracket below the stretcher. To use the side support: Release it from its locked position. (See Fig. 3)

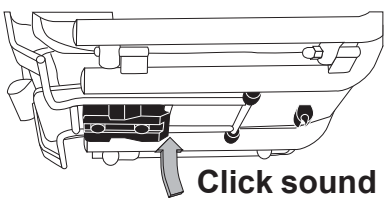
Click sound

Fig. 4



3 Fold the side support below the stretcher. (See Fig. 4)

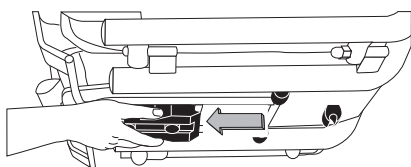
Fig. 5



4 Fasten the side support on the other side of the *Bolero* lift bath trolley by firmly pushing it into the holder. (See Fig. 5)

Click sound

Fig. 6



5 To fold the side support back again: Grip the side support with one hand. With the other hand: Release the side support from its locked position by pulling the holder towards you (see figure). Fold it back below the stretcher and attach it to the bracket on the other side of the stretcher. (See Fig. 6)

6 Always make sure the side support is securely attached to both of its two locked positions.

Transfer the Patient

From Bed (11 steps)

WARNING

To avoid entrapment, make sure the path of the movement is free from obstacles.

WARNING

To avoid entrapment of the patients or caregivers legs or feet, make sure that they are kept clear of all obstacles.

Fig. 1

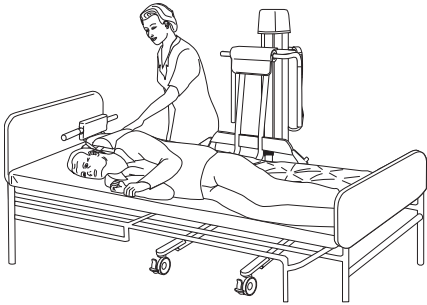


Fig. 2

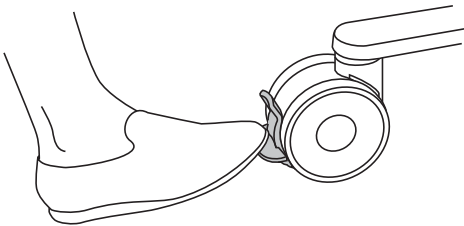


Fig. 3

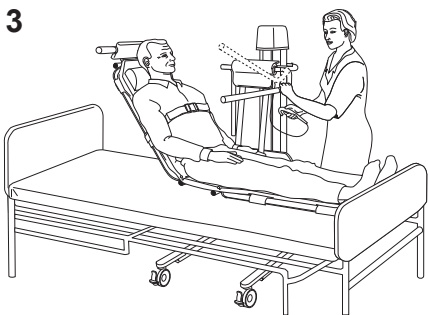
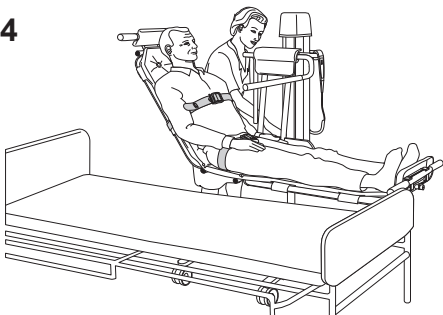


Fig. 4



- 1 Choose the appropriate end of the *Bolero* lift bath trolley to act as back support and fasten the pillow there.
- 2 Attach the safety belt for the hip through to the knob and pass it thorough so that it is on top of the stretcher.
- 3 Roll the patient to their side.

4 WARNING

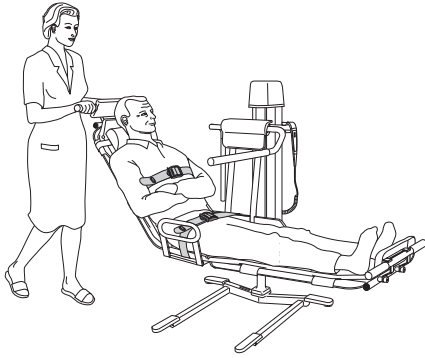
To avoid falling during patient transfer, always make sure that the brakes on the equipment receiving the patient are applied.

Move the *Bolero* lift bath trolley in over the bed as close as possible to the patient and lower so that it is resting firmly on the bed. (See Fig. 1)

- 5 Apply brakes on all castors. (See Fig. 2)
- 6 Roll the patient over onto the stretcher. (See Fig. 3)
- 7 Raise the backrest to desired angle (with the back part of the bed if necessary). Check that the catch is in place and the backrest is locked. (See Fig. 3)
- 8 Fasten the safety belt over the chest. (See Fig. 3)
- 9 Raise the stretcher a little, pull out safety belt and fasten it over the hip. Lower the handle bar. (See Fig. 4)

Continue with the steps on the next page.

Fig. 5



10 **WARNING**

To avoid entrapment, make sure to keep the patients hair, arms and feet close to the body and use designated grab supports during any movement.

Release the castor brakes and pull the *Bolero* lift bath trolley out from the bed.

11 **WARNING**

To avoid the patient from falling, always make sure that the device is in the lowest possible position before attempting to transfer, dress or undress the patient.

WARNING

To avoid the device in use from tipping, do NOT raise or lower other equipment close to it and be aware of stationary object when lowering.

Lower the *Bolero* lift bath trolley to a comfortable height and hold the transfer handles during transfer. (See Fig. 5)

To Bed (7 steps)

WARNING

To avoid entrapment, make sure the path of the movement is free from obstacles.

WARNING

To avoid falling during patient transfer, always make sure that the brakes on the equipment receiving the patient are applied.

WARNING

To avoid entrapment of the patients or caregivers legs or feet, make sure that they are kept clear of all obstacles.

Fig. 6

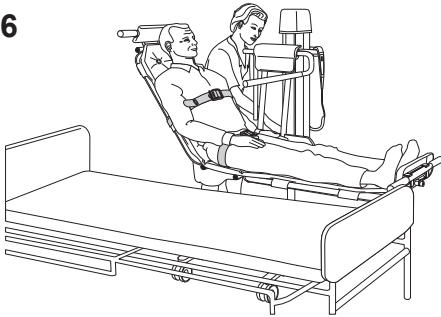
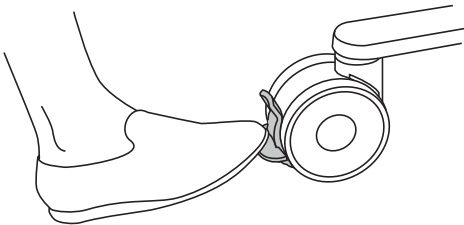


Fig. 7



- 1 Raise the *Bolero* lift bath trolley to a height where it is possible to move it in over the bed.
- 2 Move the *Bolero* lift bath trolley in over the bed.
- 3 Lower so that the *Bolero* lift bath trolley is resting firmly on the bed. (See Fig. 6)
- 4 Apply brakes on all castors. (See Fig. 7)
- 5 Unbuckle the safety belts.

6 WARNING

To avoid injury, make sure there is a caregiver and/or side rail up on the bed on the side that the patient is being log rolled to. Do NOT turn the patient if he/she is close to the edge of the bed.

Log roll the patient off the *Bolero* lift bath trolley and on to the bed.

- 7 Release the castor brakes and pull the *Bolero* lift bath trolley out from the bed.

Bath the Patient

Fig. 1

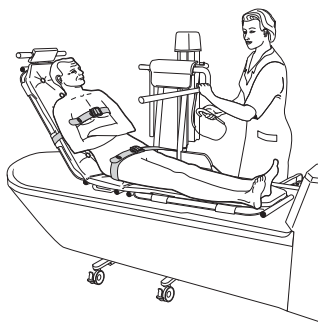


Fig. 2

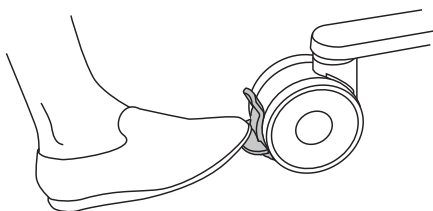


Fig. 3



Fig. 4

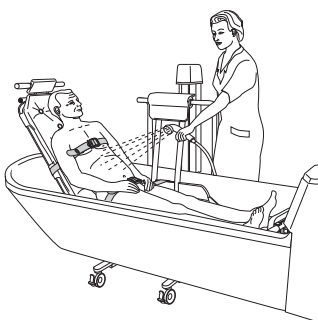
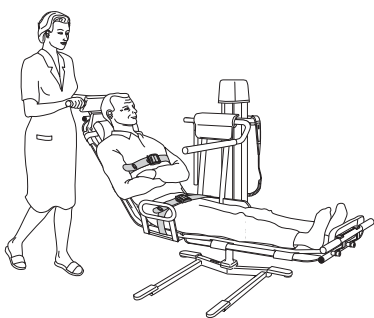


Fig. 5



First read the separate instructions for your bath system.

(9 steps)

NOTE

Read safety instructions in this *IFU* before bathing.

WARNING

To avoid entrapment, make sure to keep the patients hair, arms and feet close to the body and use designated grab supports during any movement.

WARNING

To avoid falling, make sure that the patient is positioned in accordance with this *IFU*.

- 1 Undress the patient.
- 2 Raise the *Bolero* lift bath trolley to clear the edge of the bathtub and move the patient in over the bathtub. (See Fig. 1)
- 3 Apply brakes on all castors. (See Fig. 2)
- 4 Raise the bathtub to a comfortable height, if bathtub is adjustable.
- 5 Lower the *Bolero* lift bath trolley so that it is resting against the bottom of the bathtub. (See Fig. 3)
- 6 Remove the safety belt over the chest and loosen the safety belt over the hip.
- 7 Bath the patient.
- 8 After bathing, fasten the safety belts over both hip and chest. Lower the bathtub, so that the *Bolero* lift bath trolley is above the water and give the patient a quick shower. (See Fig. 4)
- 9 After drying, cover or dress the patient to keep him/her warm. Release the castors and return the patient to their room on the *Bolero* lift bath trolley. (See Fig. 5)

Cleaning and Disinfection Instructions

Only use Arjo branded disinfectant.

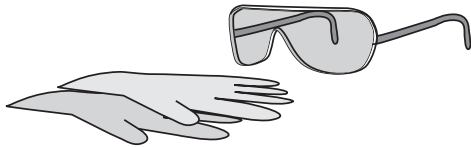
If you have any questions regarding disinfecting the equipment, or wish to order disinfectant, contact Arjo Customer Service.

The following procedure should be carried out after every use and at the end of the day.

WARNING

To avoid eye or skin irritation, never disinfect in the presence of a patient.

WARNING



To avoid eye and skin damage, always use protective glasses and gloves. If contact occurs rinse with plenty of water. If eyes or skin becomes irritated, contact a physician. Always read the material safety data sheet of the disinfectant.

WARNING

To prevent cross-contamination, always follow the disinfection instructions in this *Instruction for Use*.

CAUTION

To avoid damage on the equipment only use Arjo branded disinfectants.

Accessories for disinfecting Bolero

- Protective gloves
- Protective glasses
- Spray bottle with disinfectant (detergent and disinfectant) or disinfection spray handle with disinfectant (detergent and disinfectant).
- Spray bottle with water or shower handle with water
- Cloths – Wet and Dry
- Disposable towels
- Soft bristle brush
- Long handled soft bristled brush

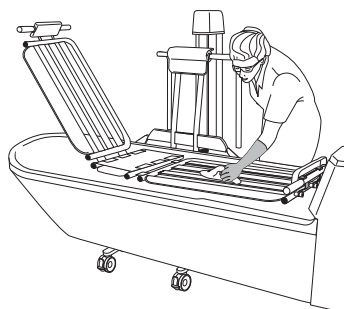
Always Follow these 15 Steps for Cleaning and Disinfection.

Removing visual residue

(step 1-3 of 15)

- 1 Remove the mattress and safety belts, and place in the bottom of the bathtub.
- 2 Position the *Bolero* lift bath trolley over the bathtub and lower it down.
- 3 Clean:
 - the *Bolero* lift bath trolley (Start from top and move downwards)
 - all removed partsfrom visible residue using a cloth soaked in water or if more suitable by spraying/showering water using a brush and/or wipe with a clean cloth. (See Fig. 1)

Fig. 1



Cleaning

(step 4-9 of 15)

- 4 Put on protective gloves and glasses.
- 5 Spray disinfectant on:
 - the *Bolero* lift bath trolley
 - all removed partsUse a brush and scrub thoroughly, especially on handles and hand control.
- 6 Shower with water (approx. 25 °C (77 °F)) or spray with plenty of water and wipe off with a clean cloth to remove all disinfectant. (See Fig 2)
- 7 Soak a cloth in disinfectant and wipe all other areas such as chassis.
- 8 Wet a new cloth with water and remove all traces of disinfectant on other areas. The cloth should occasionally be rinsed in running water when removing disinfectant.
- 9 If disinfectant cannot be removed, spray water on the affected part and wipe off with disposable towels. Repeat until all of the disinfectant has been removed.

Fig. 2



Continue with the steps on the next page.

Disinfection (step 10-15 of 15)

10 Spray with disinfectant on:

- the *Bolero* lift bath trolley
- all removed parts

11 Soak a cloth in disinfectant and wipe all other areas such as chassis.

12 Allow a disinfection time according to the instructions on the disinfectant bottle label.

13 Spray or shower water (approx. 25 °C (77 °F)) and wipe with a clean cloth to remove all traces of the disinfectant on:

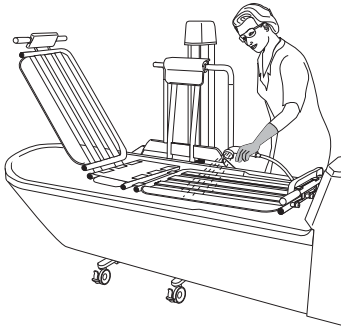
- the *Bolero* lift bath trolley
- all removed parts
- all other areas, such as chassis

The cloth should occasionally be rinsed in running water during removal of disinfectant. (See Fig 3)

14 If disinfectant cannot be removed, spray water on the affected part and wipe off with disposable towels. Repeat until all of the disinfectant has been removed.

15 Let all parts dry.

Fig. 3



Battery Instruction

WARNING

To avoid bodily injury, do NOT crush, puncture, open, dismantle or otherwise mechanically interfere with the battery.

- **Should the battery casing crack and cause contents to come in contact with skin or clothing, rinse immediately with plenty of water.**
- **If contents come in contact with the eyes, rinse immediately with plenty of water and seek medical attention.**

Inhalation of the contents can cause respiratory irritation. Provide fresh air and medical attention.

- Be careful not to drop the battery.
- Contact the appropriate local authority for advice when disposing of batteries.
- Check label on the battery.

Low Charge Warning

- If the battery needs charging a buzzing tone is heard when the lift is activated. At this time, there will be enough battery power to complete the immediate task.

Storage of Battery

- The battery is delivered charged but we recommend you to recharge the battery when received due to a slow self discharge.
- The battery will slowly self discharge when not used.
- A battery in storage and transport and should be in a temperature range of -0 °C to +30 °C (32 °F to 86 °F), cooler temperatures will extend its service life.
- For maximum battery performance do not store the battery above 50 °C (122 °F).

Installation of Charger

See *NDA-X200 Battery Charger IFU*.

How to Change the Battery

See *NDA-X200 Battery Charger IFU*.

Intentionally left blank

Care and Preventive Maintenance

The *Bolero* lift bath trolley is subject to wear and tear, and the following actions must be performed when specified to make sure that the product remains within its original manufacturing specification.

WARNING

To avoid malfunction resulting in injury, make sure to conduct regular inspections and follow the recommended maintenance schedule. In some cases due to heavy use of the product and exposure to aggressive environment more frequent inspections should be carried out. Local regulations and standards may be more stringent than the recommended maintenance schedule.

NOTE

Product cannot be maintained and serviced while in use with the patient

PREVENTIVE MAINTENACE Bolero lift bath trolley

CAREGIVER OBLIGATIONS Action/Check	Every DAY	Every WEEK	Every 2nd YEAR
Disinfect	X		
Visually check all exposed parts		X	
Visually check mechanical attachments		X	
Check hand control and cable		X	
Check/clean castors		X	
Check brakes		X	
Check mattress/pillows		X	
Visually check battery charger and battery		X	
Visually check the safety belts		X	
Check the side support holder (accessory)		X	
Perform a functionality test		X	
Replace the safety belt			X

WARNING

To avoid injury to both patient and caregiver, never modify the equipment or use incompatible parts.

Fig. 1

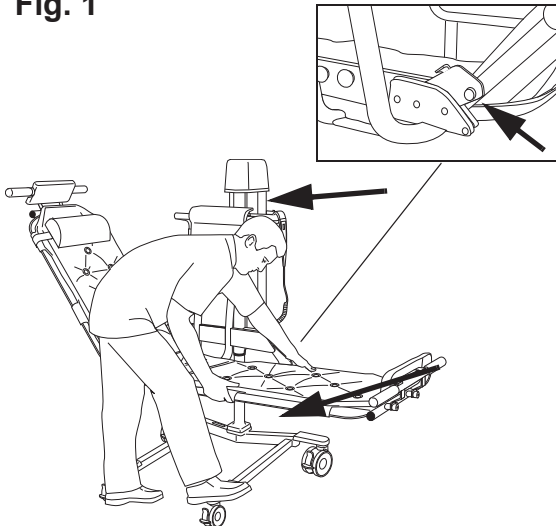


Fig. 2

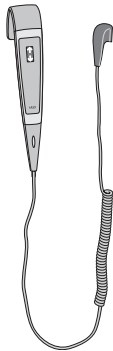


Fig. 3

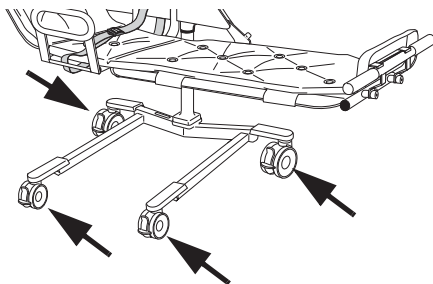
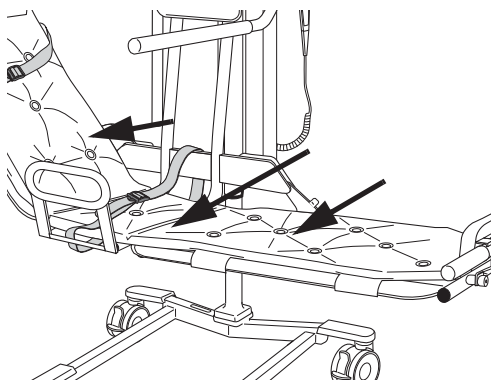


Fig. 4



Caregiver Obligations

Caregiver obligations shall be carried out by personnel with sufficient *Bolero* knowledge following the instructions in this *IFU*.

Every day

- **Disinfect.** The *Bolero* lift bath trolley has to be disinfected immediately after every use. Arjo disinfectants should be used in recommended concentrations as labelled on the disinfection bottle. See section *Cleaning and Disinfection Instructions on page 21*.

Every week

- **Visually check all exposed parts**, especially where personal contact is made by either the patient or caregiver. Make sure no cracks or sharp edges have developed that could cause the patient or user injury or that has become unhygienic. Replace damaged parts.
- **Visually check the mechanical attachments** by placing a foot on the chassis and pull the stretcher upwards with both hands. No gaps are allowed. Check that all screws are tightened. Check that the cover over the backrest adjustment catch is in good condition and properly fastened. Check the backrest retainer mechanism on both sides. (See Fig. 1)
- **Check hand control and cable:** Visually check the condition of the hand control and its cable. (See Fig. 2)
- **Check that the castors** are properly fixed and are rolling and swivelling freely. Clean with water (the function can be affected by soap, hair, dust and chemicals from floor cleaning). (See Fig. 3)
- **Check the brakes** on the castors and check the castor brake lever. Replace damaged parts.
- **Check the mattress/pillow** to make sure there are no cracks or tears that would allow water to get into the filling. If there is such damage, replace damaged parts. (See Fig. 4)

Continue with the steps on the next page.

Fig. 5

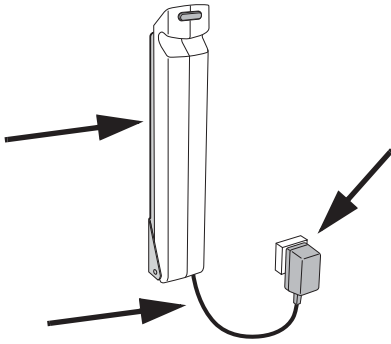


Fig. 6

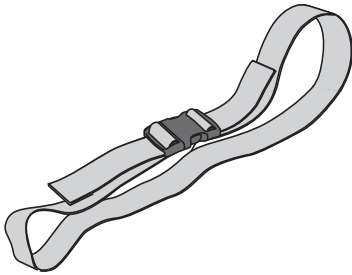
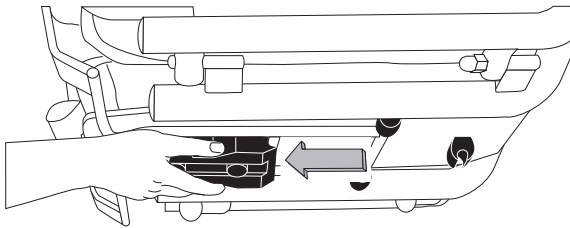


Fig. 7



- **Visually check the condition of the battery charger**, its cable and the battery. Withdraw and replace immediately if damaged. (See Fig. 5)
- **Visually check the safety belt:** Check the complete belt for fraying, cuts, cracks, tears, that no inner fabric is showing and that no other damage is visible. If found cut or damaged, replace it. (See Fig. 6)
- **Check the function of the side support holder** (accessory) by pulling the holder towards you, when letting go the holder shall lock securely. (See Fig. 7)
- **Perform a functionality test.**
Test up/down motion by pressing up/down button.
Test emergency Hi/Low.

Yearly

The *Bolero* lift bath trolley has to be serviced according to the section *Preventative Maintenance - Qualified Personnel* on page 29

Preventative Maintenance - Qualified Personnel

WARNING

To avoid injury and/or unsafe product, the maintenance activities must be carried out at the correct frequency by qualified personnel using correct tools, parts and knowledge of procedure. Qualified personnel must have documented training in maintenance of this device.

QUALIFIED PERSONNEL Action/Check	Every YEAR
Lubricate inner profile	X
Check battery and battery charger	X
Check oil level (Hydraulic)	X
Check all vital parts for corrosion/damage	X
Perform full feature functionality test	X
Check mechanical attachments	X
Check that the latest updates have been implemented	X
Check the safety stop function	X
Perform a safe working load test, (local requirements)	X
Inspect castors	X
Check emergency Hi/Low function	X
Check scale calibration	X
Check batteries for the scale	X
Check function of emergency stop	X

NOTE

All Caregiver Obligations are to be checked when performing the Qualified Personnel Service.

NOTE


All checkpoints in the table *CAREGIVER OBLIGATIONS Action/Check on page 26* are to be checked when performing the checkpoints in the table *QUALIFIED PERSONNEL Action/Check on page 29*.

Troubleshooting

PROBLEM	ACTION
The lift continues to raise or descend after the hand control button is released.	Activate the red emergency stop button and pull the battery out - remove the patient from the lift and contact qualified personnel.
The lift does not raise or descend when the hand control button is pressed.	<ol style="list-style-type: none"> 1 Make sure that the battery is fully engaged in the battery compartment. 2 Make sure that the hand control connection plug is properly engaged in the socket. 3 Make sure that the battery is charged. <div style="border: 1px solid black; padding: 5px; margin: 10px 0;"> <p>WARNING</p> <p>To avoid injury, make sure that the patient is not left unattended at any time.</p> </div> <ol style="list-style-type: none"> 4 Use the emergency lowering to descend the patient. Remove the patient from the lift and contact qualified personnel.
The lift is hard to manoeuvre during transfer.	<ol style="list-style-type: none"> 1 Make sure all brakes are released. 2 Make sure all castors roles and turns freely. <p>- if not, remove the patient from the lift and contact qualified personnel.</p>
The lift is making abnormal sounds during lifting or transfer.	Remove the patient from the lift and contact qualified personnel.
The lift beeps shortly once every minute when not operated.	Contact qualified personnel.
It is only possible to lower the lift.	The lifting device of this equipment is equipped with a a safety nut. If the safety nut will be activated it will only be possible to lower the equipment into a safe position. In case of this scenario stop using the equipment and contact qualified personnel for repair of the equipment.

Intentionally left blank

Technical Specifications

General	
Lifting capacity	136 kg (300 lbs)
Maximum weight of lift (Lift + Scale)	
<i>Bolero</i> Model CEB 6000 (Hydraulic)	69 kg (151 lbs)
<i>Bolero</i> Model CEB 60XX (Electric)	78 kg (171 lbs)
<i>Bolero</i> Model CEB 6100 (Hydraulic, paediatric)	68 kg (149 lbs)
<i>Bolero</i> Model CEB 61XX (Electric, paediatric)	76 kg (167 lbs)
Maximum total weight of lift (Lift + Patient)	
<i>Bolero</i> Model CEB 6000 (Hydraulic)	205 kg (451 lbs)
<i>Bolero</i> Model CEB 60XX (Electric)	214 kg (471 lbs)
<i>Bolero</i> Model CEB 6100 (Hydraulic, paediatric)	204 kg (449 lbs)
<i>Bolero</i> Model CEB 61XX (Electric, paediatric)	212 kg (467 lbs)
Medical equipment	type 
Power source	Battery No. NDA 0100
Battery charger	NDA 1200-EU, NDA 2200-GB, NDA 4200-US, NDA 6200-AU and NDA 8200-INT
Protection class	IP X4 IP: Ingress Protection X: The protection against contact and ingress of objects is not specified for this product. 4: Water splashing against the product from any direction does not affect safety or essential performance
Protection class hand control	IP X7 IP: Ingress Protection X: The protection against contact and ingress of objects is not specified for this product. 7: Immersion up to 1 m of the product does not effect safety or essential performance
Fuse	F1 F10AL 250 V
Insulation Class	Class II Equipment
Sound level	62 dB
Mode of operation	ED maximum 10%; Maximum 1 minutes ON; Minimum 9 minutes OFF
Operating force:	
Push Buttons	<5 N
Emergency Stop	20 N
Brakes	105 N
Levers	70 N
Degree of fire protection	In accordance with standard EN/ISO 60601-1

Component Weights	
Battery	4.4 kg (9.7 lbs)
Scale (add weight to the <i>Bolero</i> lift bath trolley weight)	9.5 kg (21 lbs)

Allowed Combinations	
The <i>Bolero</i> lift bath trolley integrates with the following Arjo products:	<i>System2000 Rhapsody, System 2000 Primo, System2000 PrimoFerro.</i>
<i>Bolero</i> integrates with generic hospital beds:	with a minimum of bed to floor clearance of 150 mm
No other combinations are allowed	

Transport, storage and operation (Applies to all <i>Bolero</i> models except the chargers)	
Ambient temperature range	-20 °C to +70 °C (-4° F to +158 °F) Transport -20 °C to +70 °C (-4° F to +158 °F) Storage +10 °C to +40 °C (+50 °F to +104 °F) Operation
Relative humidity range	10% - 80% Transport and Storage 15% - 100% Operation
Atmospheric pressure range	500 - 1100 hPa Transport 500 - 1100 hPa Storage 800 - 1060 hPa Operation

Environmental	
Pollution degree	2

Recycling	
Package	Wood and corrugated cardboard, recyclable

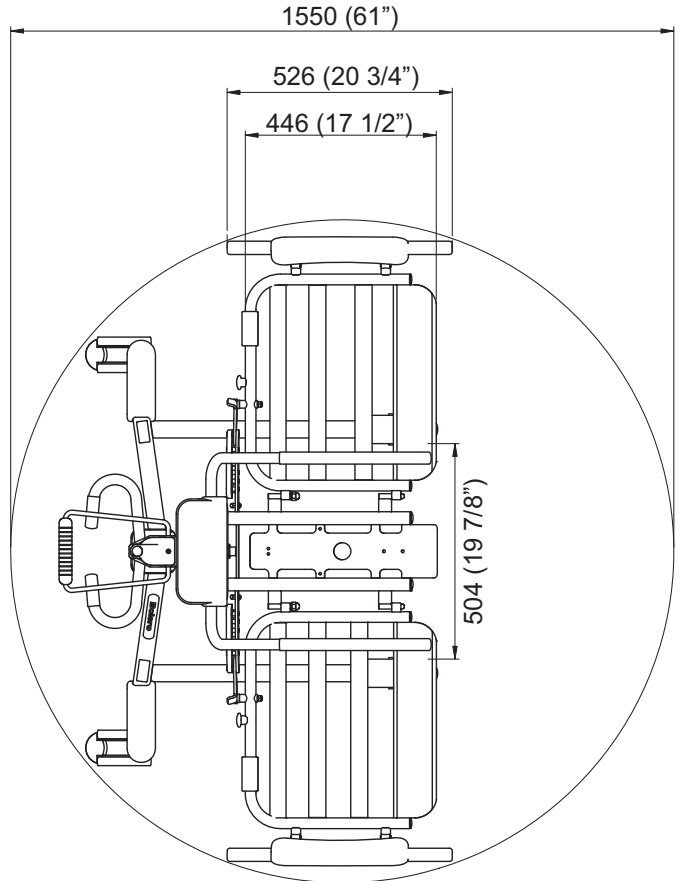
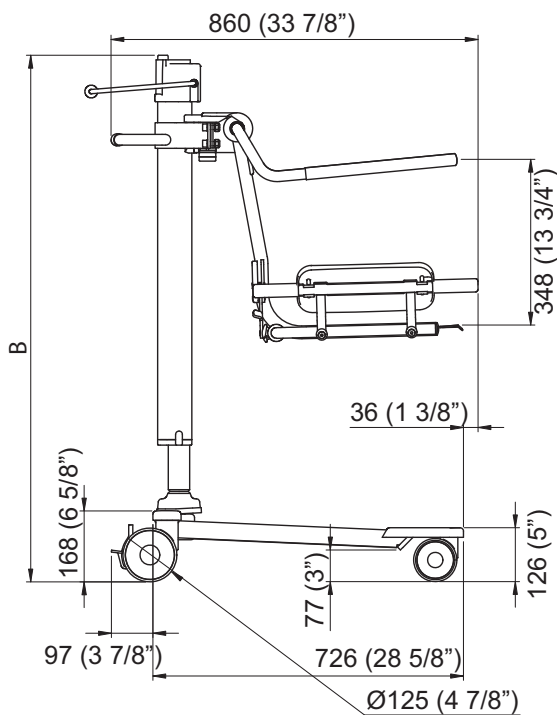
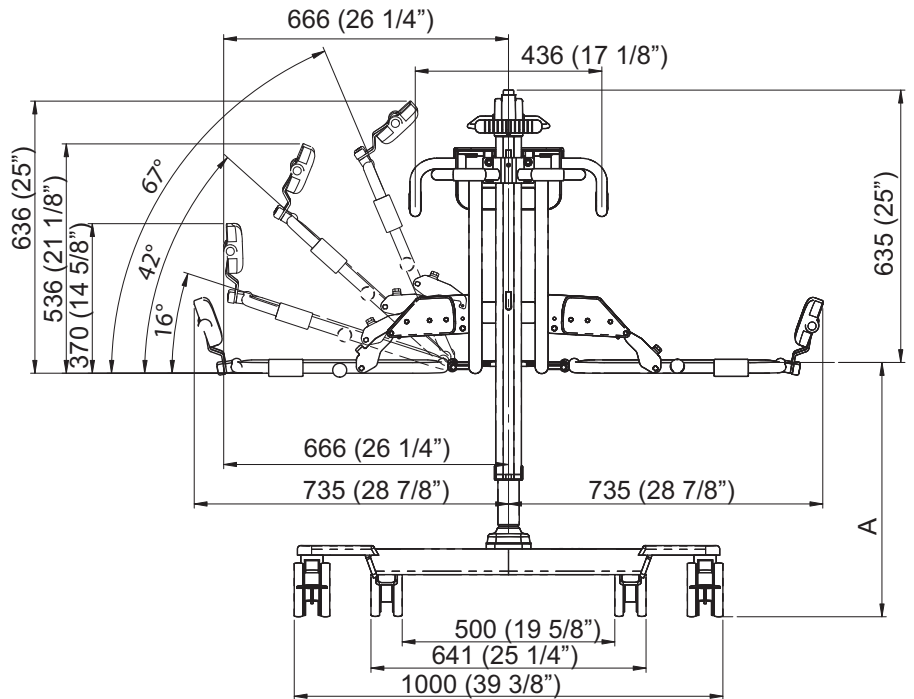
End of Life Disposal	
<ul style="list-style-type: none"> All batteries in the product must be recycled separately. Batteries are to be disposed in accordance with national or local regulations. Slings including stiffeners/stabilizers, padding material, any other textiles or polymers or plastic materials etc. should be sorted as combustible waste. Lift systems having electrical and electronic components or an electrical cord should be disassembled and recycled per Waste of Electrical and Electronic Equipment (WEEE) or in accordance with local or national regulation. Components that are primarily made up of different kinds of metal (containing more than 90% metal by weight) for example sling bars, rails, upright supports, etc., should be recycled as metals. 	

Paediatric Hydraulic

mm (inches)

A minimum 515 (20 1/4") gives **B** minimum 1150 (45 1/4")

A maximum 1015 (40") gives **B** maximum 1650 (65")


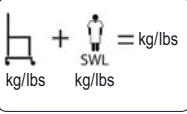
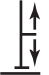
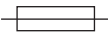












Labels

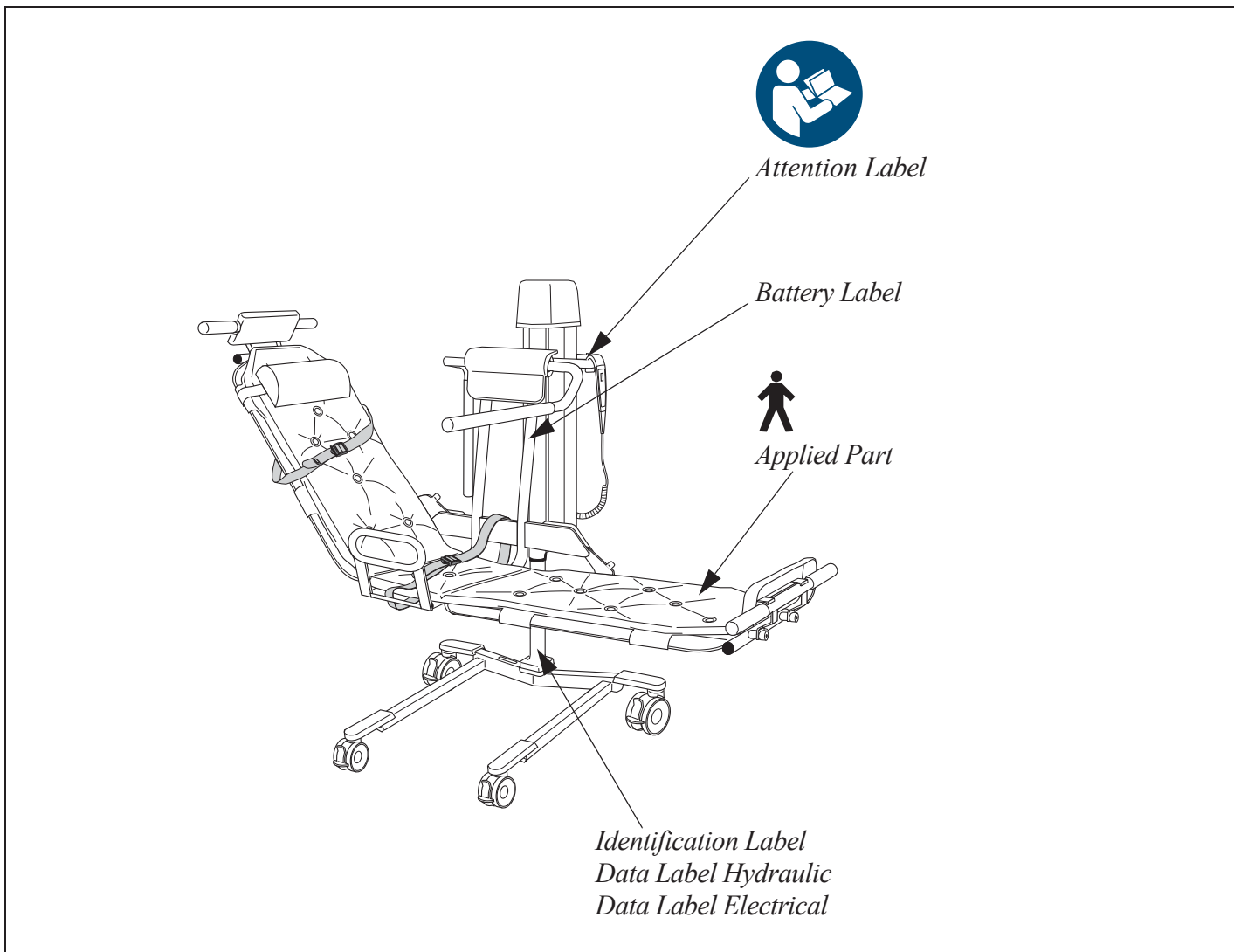
Label explanation

Attention Label	Important user information for correct use.
Battery Label	States safety and environmental information for the battery.
Data Label	States technical performance and requirements, e.g. Input Power, Input Voltage and maximum Patient Weight etc.
Identification Label	States the product identification, serial number and year and month of manufacturing.

Symbol explanation

	Type B, Applied part: protection against electrical shock in accordance with IEC 60601-1.
SWL	Safe Working Load
	Total mass of equipment including its safe working load.
	Lifting stroke
24V DC	Supply voltage
MAX: 150 VA	Maximum power
	Fuse F1 F10AL 250 V
IP X4	Degree of protection (i.e. the product is protected against splashing water)
1 min on/ 9 min off	Mode of operation for Hi/Lo function: Maximum 1 minutes ON; Minimum 9 minutes OFF
NDA0100-XX	Product no. of the battery
	A battery is the power source of this equipment.

	Separate electrical and electronic components for recycling in accordance with the European Directive 2012/19/EU (WEEE)
	Read the <i>IFU</i> before use.
	Environmental danger-contains lead. Not for disposal.
	Recyclable
	CE marking indicating conformity with European Community harmonised legislation Figures indicate Notified Body supervision.
	Indicates the product is a Medical Device according to EU Medical Device Regulation 2017/745.
	Classified by Underwriters Laboratories Inc. with respect to electrical shock, fire, mechanical, hazards and other specified hazards only in accordance with the Approvals and List of Standards.
	Name and address of the manufacturer
	Manufacturing date



List of Standards and Certificates

STANDARD/CERTIFICATE	DESCRIPTION
EN/IEC 60601-1:2005 AMD1:2012	Medical Electrical Equipment - Part 1: General Requirements for Basic Safety and Essential Performance
ANSI/AAMI ES60601-1 (2005) AMD 1 (2012)	Medical Electrical Equipment - Part 1: General Requirements for Basic Safety and Essential Performance
CAN/CSA-C22.2 No. 60601-1:14	Medical Electrical Equipment - Part 1: General Requirements for Basic Safety and Essential Performance
ISO 10535:2006	Hoists for the transfer of disabled persons -- Requirements and test methods

Electromagnetic Compatibility (EMC)

Product has been tested for compliance with current regulatory standards regarding its capacity to block EMI (electromagnetic interference) from external sources.

Some procedures can help reduce electromagnetic interferences:

- Use only Arjo cables and spare parts to avoid increased emissions or decreased immunity which can compromise the correct functioning of the equipment.
- Ensure that other devices in patient-monitoring and/or life-support areas comply to accepted emissions standards.

WARNING

Wireless communications equipment such as wireless computer network devices, mobile phones, cordless telephones and their base stations, walkie-talkies, etc. can affect this equipment and should be kept at least 1.5 m away from the equipment.


Intended Environment: Professional Healthcare Facility Environment

Exceptions: HF Surgical Equipment and the RF Shielded room of an ME SYSTEM for magnetic resonance imaging

WARNING

Use of this equipment adjacent to or stacked with other equipment should be avoided because it could result in improper operation. If such use is necessary, this equipment and the other equipment should be observed to verify that they are operating normally.

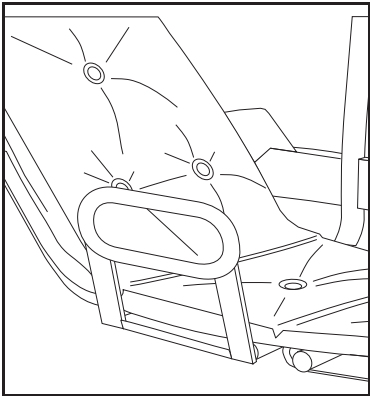
Guidance and manufacturer's declaration – electromagnetic emission		
Emission test	Compliance	Guidance
RF emissions CISPR 11	Group 1	This equipment uses RF energy only for its internal functions. Therefore its RF emissions are very low and are not likely to cause any interference in nearby electronic equipment.
RF emissions CISPR 11	Class B	This equipment is suitable for use in all establishments, including domestic establishments and those directly connected to the public low voltage power supply network that supplies buildings used for domestic purposes.

Guidance and manufacturer's declaration – electromagnetic immunity			
Immunity test	IEC 60601-1-2 test level	Compliance level	Electromagnetic environment – guidance
Electrostatic discharge (ESD) EN 61000-4-2	±2kV, ±4kV, ±8kV, ±15kV air ±8kV contact	±2kV, ±4kV, ±8kV, ±15kV air ±8kV contact	Floors should be wood, concrete or ceramic tile. If floors are covered with synthetic material, the relative humidity should be at least 30%.
Conducted disturbances induced by RF fields EN 61000-4-6	3V in 0,15 MHz to 80 MHz 6V in ISM and amateur radio bands between 0,15 MHz and 80 MHz 80% AM at 1 kHz	3V in 0,15 MHz to 80 MHz 6V in ISM and amateur radio bands between 0,15 MHz and 80 MHz 80% AM at 1 kHz	Portable and mobile RF communications equipment should be used no closer to any part of the product, including cables, than 1.0 m, if the transmitter's output power rating exceeds 1W ^a . Field strengths from fixed RF transmitters, as determined by an electromagnetic site survey, should be less than the compliance level in each frequency range ^b . Interference may occur in the vicinity of equipment marked with this symbol: 
Radiated RF electromagnetic field EN 61000-4-3	Professional Healthcare environment 3 V/m 80 MHz to 2,7 GHz 80% AM at 1 kHz	Professional Healthcare environment 3 V/m 80 MHz to 2,7 GHz 80% AM at 1 kHz	
Proximity fields from RF wireless communications equipment EN 61000-4-3	385 MHz - 27 V/m 450 MHz - 28 V/m 710, 745, 780 MHz - 9V/m 810, 870, 930 MHz - 28 V/m 1720, 1845, 1970, 2450 MHz - 28 V/m 5240,5500, 5785 MHz - 9V/m	385 MHz - 27 V/m 450 MHz - 28 V/m 710, 745, 780 MHz - 9V/m 810, 870, 930 MHz - 28 V/m 1720, 1845, 1970, 2450 MHz - 28 V/m 5240,5500, 5785 MHz - 9V/m	
Electrical fast transient/burst EN 61000-4-4	±1kV SIP/SOP ports 100 kHz repetition frequency	±1kV SIP/SOP ports 100 kHz repetition frequency	
Power frequency Magnetic field EN 61000-4-8	30 A/m 50 Hz or 60 Hz	30 A/m 50 Hz	Power frequency magnetic fields should be at levels characteristic of a typical location in a typical commercial or hospital environment.

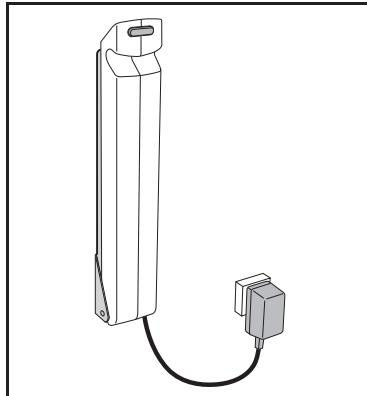
^a Field strengths from fixed transmitters, such as base stations for radio (cellular/cordless) telephones and land mobile radios, amateur radio, AM and FM radio broadcast and TV broadcast cannot be predicted theoretically with accuracy. To assess the electromagnetic environment due to fixed RF transmitters, an electromagnetic site survey should be considered. If the measured field strength in the location in which the product is used exceeds the applicable RF compliance level above, the product should be observed to verify normal operation. If abnormal performance is observed, additional measures may be necessary.

^b Over the frequency range 150 kHz to 80 MHz, field strengths should be less than 1 V/m.

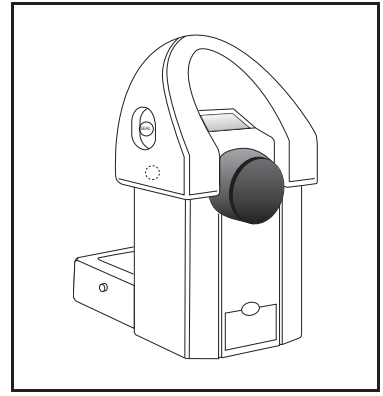
Parts and Accessories



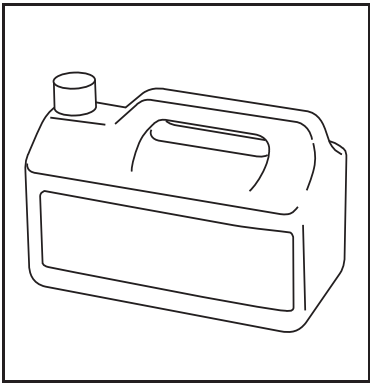
Side support
CEA1000-03



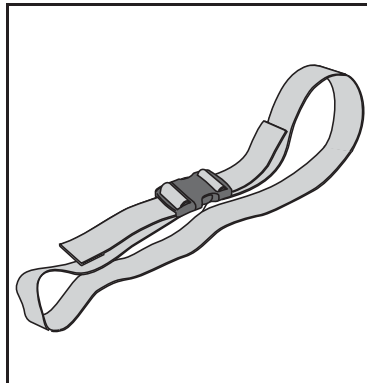
Battery and Charger 24 V



Scale
CFA1000-03-F



For disinfectant contact
the Arjo local
representative



Safety Belt
CEA1400-01

AUSTRALIA

Arjo Australia Pty Ltd
78, Forsyth Street
O'Connor
AU-6163 Western Australia
Tel: +61 89337 4111
Free: +1 800 072 040
Fax: + 61 89337 9077

BELGIQUE / BELGIË

Arjo NV/SA
Evenbroekveld 16
BE-9420 ERPE-MERE
Tél/Tel: +32 (0) 53 60 73 80
Fax: +32 (0) 53 60 73 81
E-mail: info.belgium@arjo.com

BRASIL

Arjo Brasil Equipamentos Médicos Ltda
Rua Marina Ciufuli Zanfelice, 329 PB02 Galpão
- Lapa
São Paulo – SP – Brasil
CEP: 05040-000
Phone: 55-11-3588-5088
E-mail: vendas.latam@arjo.com
E-mail: servicios.latam@arjo.com

CANADA

Arjo Canada Inc.
90 Matheson Boulevard West
Suite 300
CA-MISSISSAUGA, ON, L5R 3R3
Tel/Tél: +1 905 238 7880
Free: +1 800 665 4831 Institutional
Free: +1 800 868 0441 Home Care
Fax: +1 905 238 7881
E-mail: info.canada@arjo.com

ČESKÁ REPUBLIKA

Arjo Czech Republic s.r.o.
Na Strži 1702/65
140 00 Praha
Czech Republic
Phone No: +420225092307
e-mail: info.cz@arjo.com

DANMARK

Arjo A/S
Vassingerødvej 52
DK-3540 LYNGE
Tel: +45 49 13 84 86
Fax: +45 49 13 84 87
E-mail:
dk_kundeservice@arjo.com

DEUTSCHLAND

Arjo GmbH
Peter-Sander-Strasse 10
DE-55252 MAINZ-KASTEL
Tel: +49 (0) 6134 186 0
Fax: +49 (0) 6134 186 160
E-mail: info-de@arjo.com

ESPAÑA

Arjo Ibérica S.L.
Parque Empresarial Rivas Futura, C/Marie
Curie 5
Edificio Alfa Planta 6 oficina 6.1-.62
ES-28521 Rivas Vacia, MADRID
Tel: +34 93 583 11 20
Fax: +34 93 583 11 22
E-mail: info.es@arjo.com

FRANCE

Arjo SAS
2 Avenue Alcide de Gasperi
CS 70133
FR-59436 RONCQ CEDEX
Tél: +33 (0) 3 20 28 13 13
Fax: +33 (0) 3 20 28 13 14
E-mail: info.france@arjo.com

HONG KONG

Arjo Hong Kong Limited
Room 411-414, 4/F, Manhattan Centre,
8 Kwai Cheong Road, Kwai Chung, N.T.,
HONG KONG
Tel: +852 2960 7600
Fax: +852 2960 1711

ITALIA

Arjo Italia S.p.A.
Via Giacomo Peroni 400-402
IT-00131 ROMA
Tel: +39 (0) 6 87426211
Fax: +39 (0) 6 87426222
E-mail: Italy.promo@arjo.com

MIDDLE EAST

Arjo Middle East FZ-LLC
Office 908, 9th Floor,
HQ Building, North Tower,
Dubai Science Park,
Al Barsha South
P.O Box 11488, Dubai,
United Arab Emirates
Direct +971 487 48053
Fax +971 487 48072
Email: Info.ME@arjo.com

NEDERLAND

Arjo BV
Biezenwei 21
4004 MB TIEL
Postbus 6116
4000 HC TIEL
Tel: +31 (0) 344 64 08 00
Fax: +31 (0) 344 64 08 85
E-mail: info.nl@arjo.com

NEW ZEALAND

Arjo Ltd
34 Vestey Drive
Mount Wellington
NZ-AUCKLAND 1060
Tel: +64 (0) 9 573 5344
Free Call: 0800 000 151
Fax: +64 (0) 9 573 5384
E-mail: nz.info@Arjo.com

NORGE

Arjo Norway AS
Olaf Helset's vei 5
N-0694 OSLO
Tel: +47 22 08 00 50
Faks: +47 22 08 00 51
E-mail: no.kundeservice@arjo.com

ÖSTERREICH

Arjo GmbH
Lemböckgasse 49 / Stiege A / 4.OG
A-1230 Wien
Tel: +43 1 8 66 56
Fax: +43 1 866 56 7000

POLSKA

Arjo Polska Sp. z o.o.
ul. Ks Piotra Wawrzyniaka 2
PL-62-052 KOMORNIKI (Poznań)
Tel: +48 61 662 15 50
Fax: +48 61 662 15 90
E-mail: arjo@arjo.com

PORTUGAL

Arjo em Portugal
MAQUET Portugal, Lda.
(Distribuidor Exclusivo)
Rua Poeta Bocage n.º 2 - 2G
PT-1600-233 Lisboa
Tel: +351 214 189 815
Fax: +351 214 177 413
E-mail: Portugal@arjo.com

SUISSE / SCHWEIZ

Arjo AG
Fabrikstrasse 8
Postfach
CH-4614 HÄGENDORF
Tél/Tel: +41 (0) 61 337 97 77
Fax: +41 (0) 61 311 97 42

SUOMI

Arjo Scandinavia AB
Riihitontuntie 7 C
02200 Espoo
Finland
Puh: +358 9 6824 1260
E-mail: Asiakaspalvelu.finland@arjo.com

SVERIGE

Arjo International HQ
Hans Michelsensgatan 10
SE-211 20 MALMÖ
Tel: +46 (0) 10 494 7760
Fax: +46 (0) 10 494 7761
E-mail: kundservice@arjo.com

UNITED KINGDOM

Arjo UK and Ireland
Houghton Hall Park
Houghton Regis
UK-DUNSTABLE LU5 5XF
Tel: +44 (0) 1582 745 700
Fax: +44 (0) 1582 745 745
E-mail: sales.admin@arjo.com

USA

Arjo Inc.
2349 W Lake Street Suite 250
US-Addison, IL 60101
Tel: +1 630 307 2756
Free: +1 800 323 1245 Institutional
Free: +1 800 868 0441 Home Care
Fax: +1 630 307 6195
E-mail: us.info@arjo.com

JAPAN

Arjo Japan K.K.
東京都港区虎ノ門三丁目7番8号 ランディッ
ク第2虎ノ門ビル9階
電話 : +81 (0)3-6435-6401

Address page - REV 24: 04/2019

At Arjo, we are committed to improving the everyday lives of people affected by reduced mobility and age-related health challenges. With products and solutions that ensure ergonomic patient handling, personal hygiene, disinfection, diagnostics, and the effective prevention of pressure ulcers and venous thromboembolism, we help professionals across care environments to continually raise the standard of safe and dignified care. Everything we do, we do with people in mind.



ArjoHuntleigh AB
Hans Michelsensgatan 10
211 20 Malmö, Sweden
www.arjo.com

arjo

CE
2797