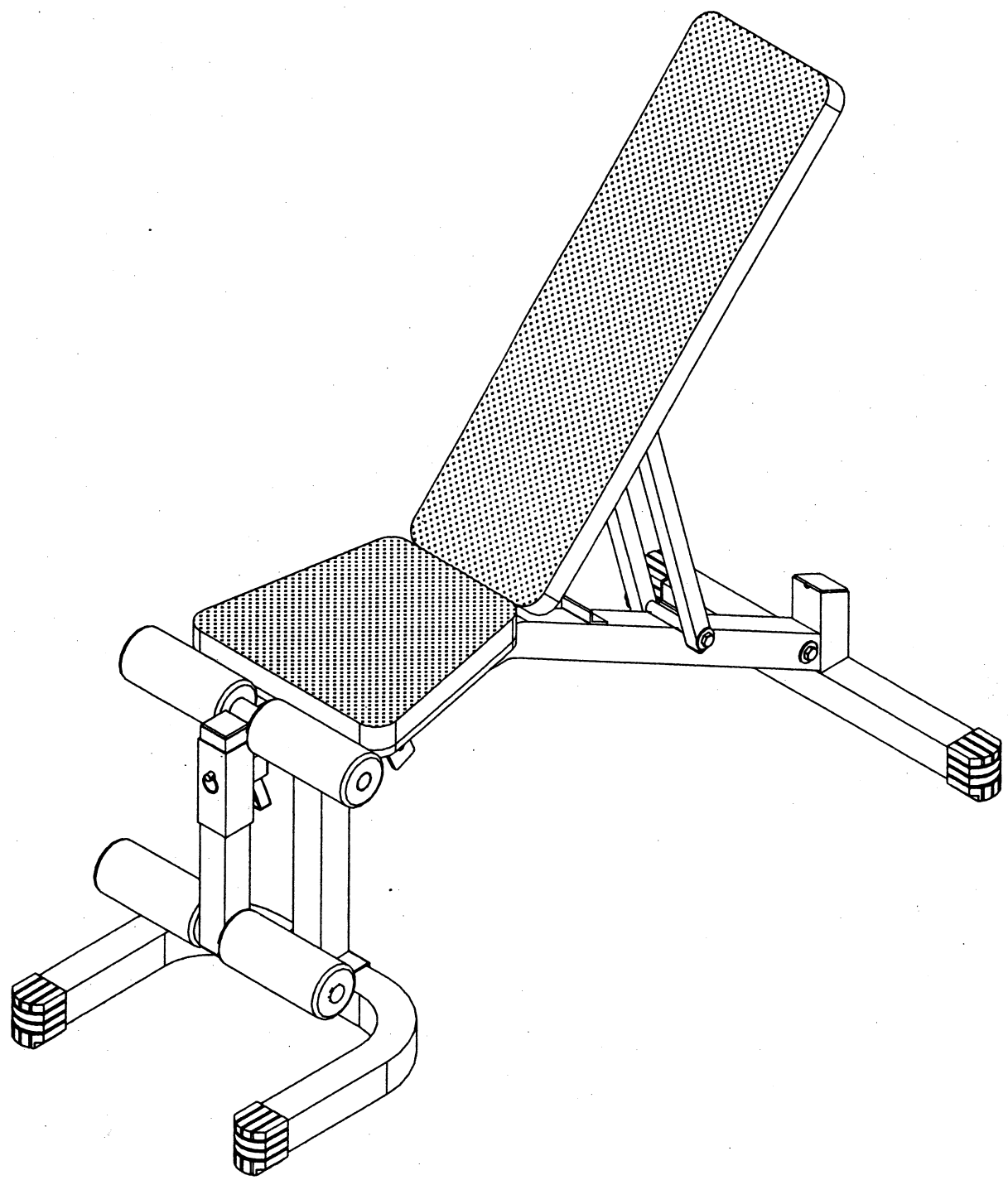


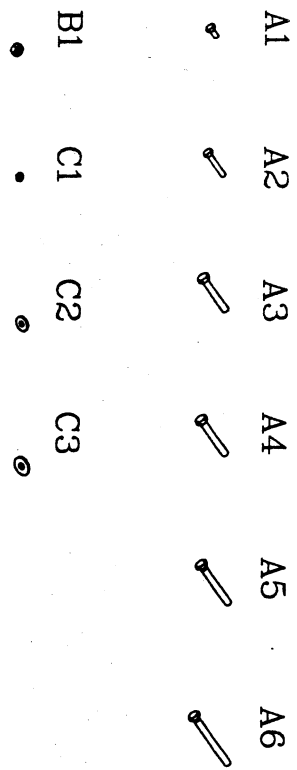
PFID-130.2



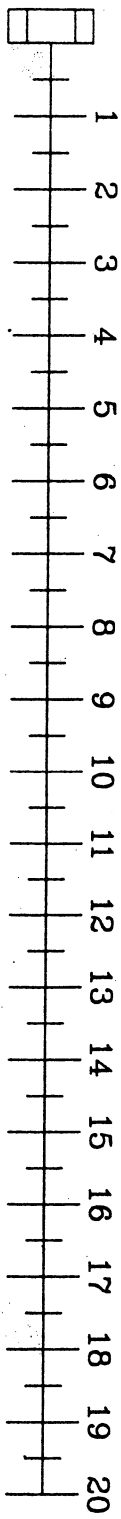
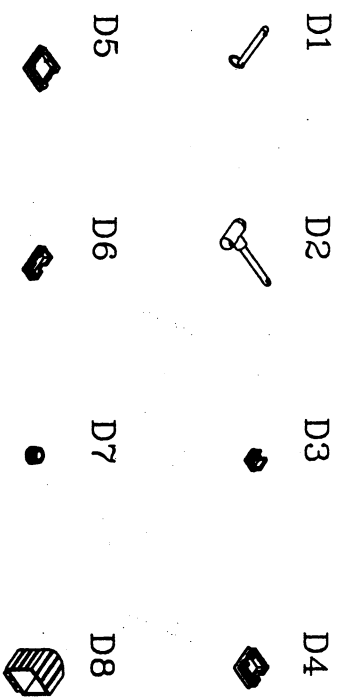
VERSION 0302

PFID-130.2 HARDWARE ILLUSTRATION SHEET

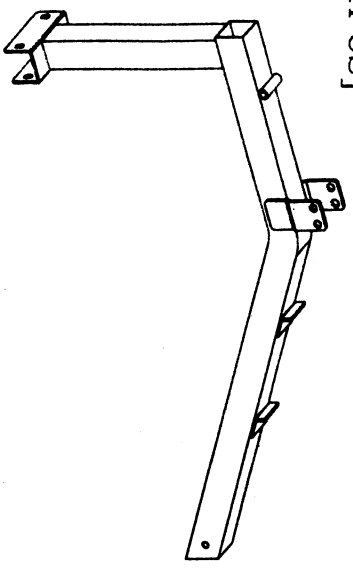
A1.	M8X20L	HEX HEAD BOLT	-----	[6PCS]	Qty.
A2.	M8X45L	HEX HEAD BOLT	-----	[1PCS]	
A3.	M10X65L	HEX HEAD BOLT	-----	[1PCS]	
A4.	M10X70L	HEX HEAD BOLT	-----	[2PCS]	
A5.	M10X80L	HEX HEAD BOLT	-----	[2PCS]	
A6.	M10X145L	HEX HEAD BOLT	-----	[2PCS]	
B1.	M10	NYLON LOCK NUT	-----	[7PCS]	
C1.	M8	SPRING WASHER	-----	[7PCS]	
C2.	M8	(I.D)WASHER	-----	[7PCS]	
C3.	M10	(I.D)WASHER	-----	[14PCS]	



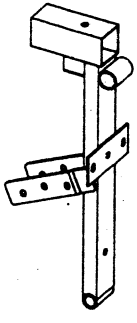
D1.	QUICK RELEASE RING PIN	(8250-015)	-----	[1PCS]	Qty.
D2.	QUICK RELEASE BALL PIN	(8250-016)	-----	[1PCS]	
D3.	1"X1" END CAP	(9211-001)	-----	[4PCS]	
D4.	45X45 END CAP	(9211-004)	-----	[2PCS]	
D5.	2"X2" END CAP	(9211-005)	-----	[1PCS]	
D6.	1"X2" END CAP	(9211-009)	-----	[1PCS]	
D7.	ROUND END CAP	(9211-016)	-----	[4PCS]	
D8.	2"X2" FOOT CAP	(9212-003)	-----	[4PCS]	



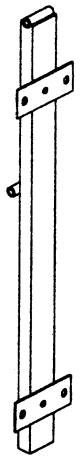
A [1PCS]



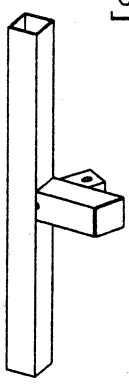
B [1PCS]



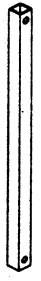
C [1PCS]



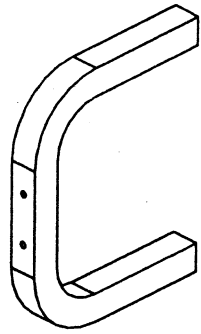
D [1PCS]



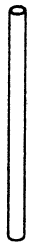
E [2PCS]



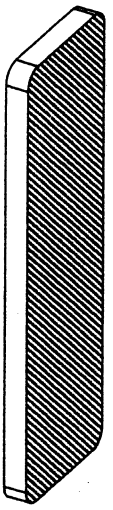
F [1PCS]



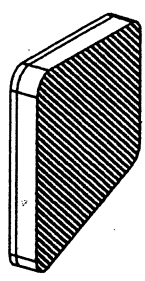
G [2PCS]



I [1PCS]



J [1PCS]



K [4PCS]



L [1PCS]



H [1PCS]

