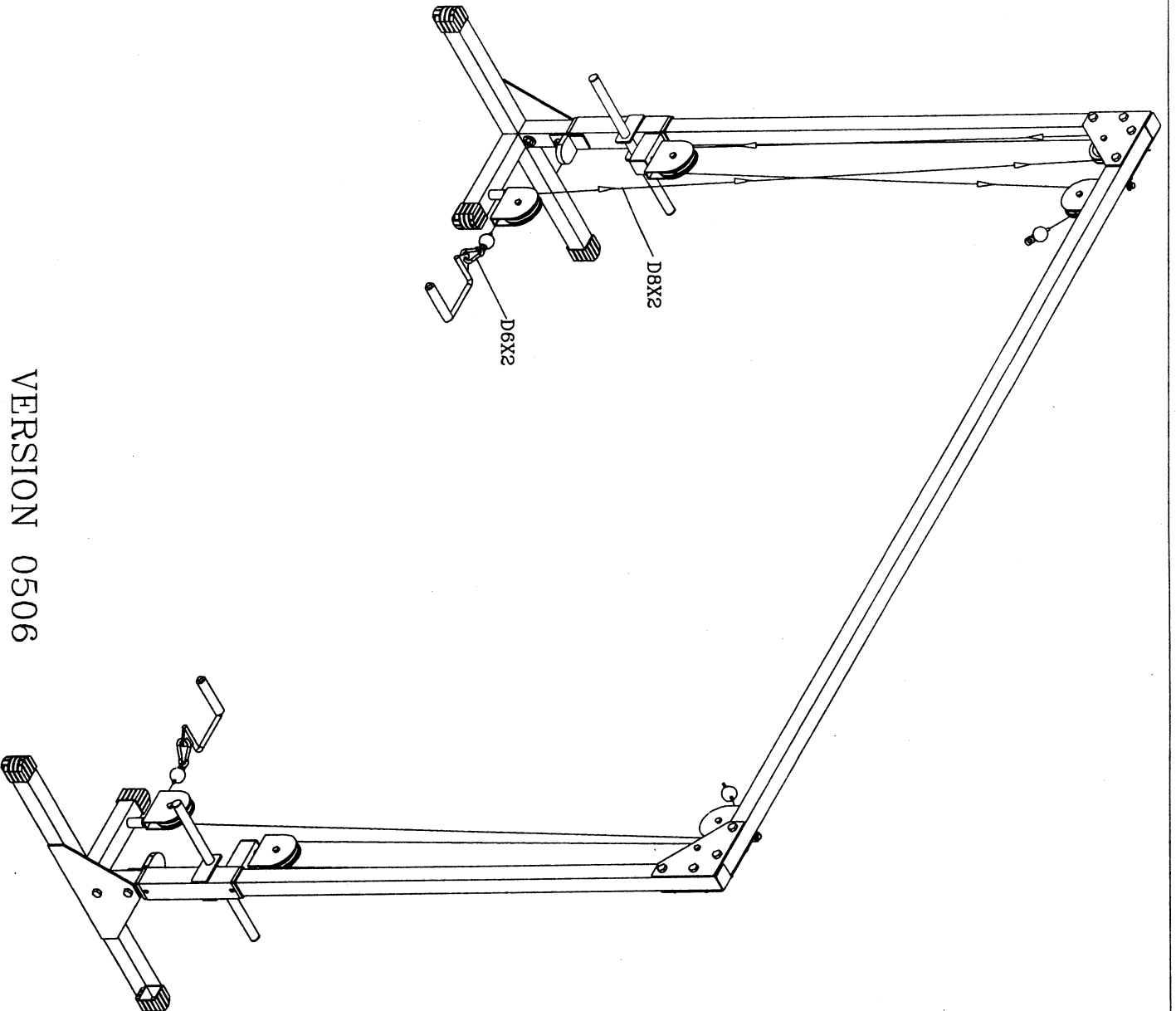


PCCO-90

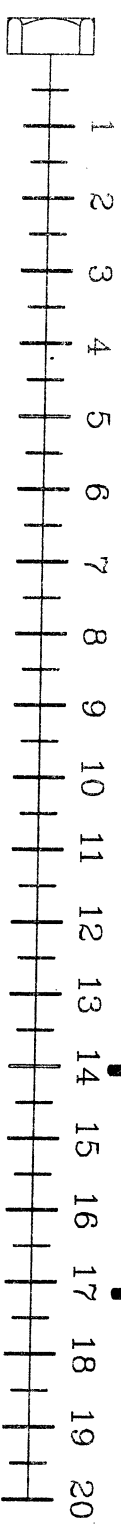
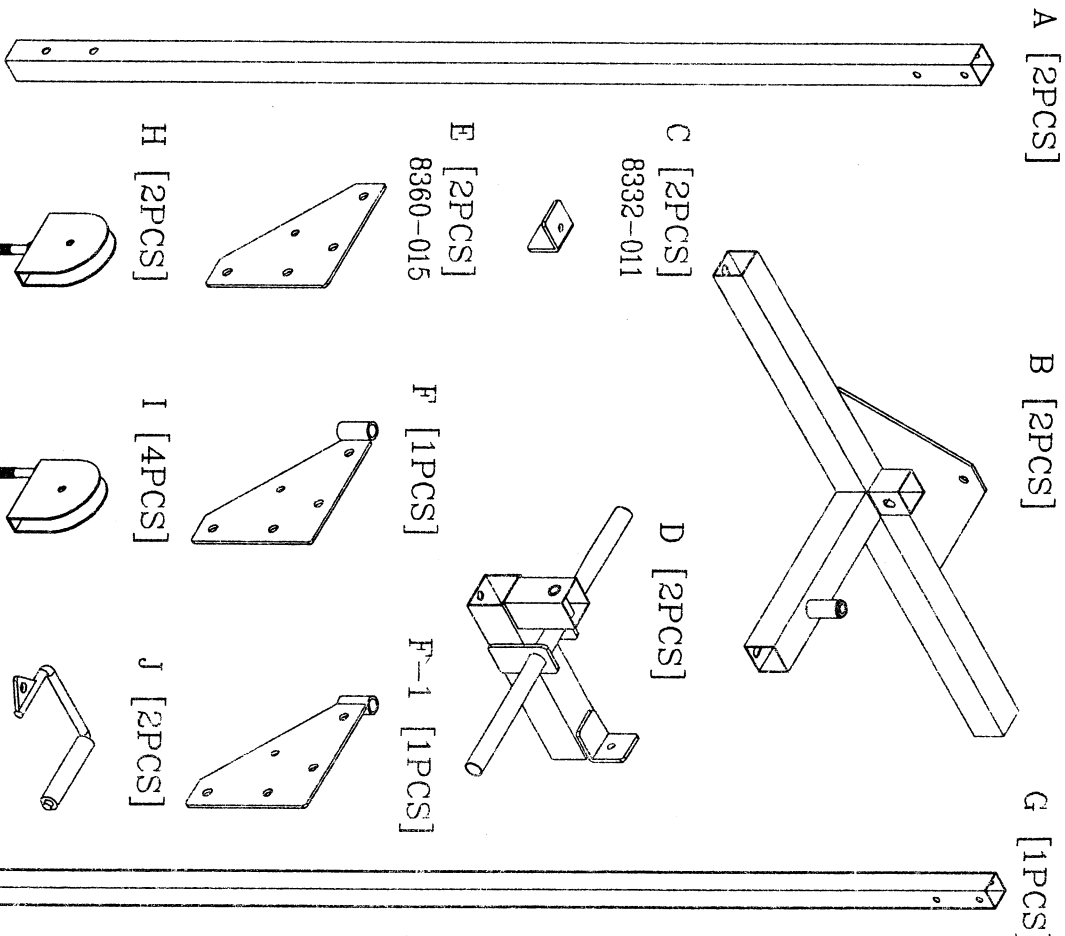


VERSION 0506

HARDWARE ILLUSTRATION SHEET

PARTS ILLUSTRATION SHEET

Part No.	Description	Qty.
A1	A1. M12X75 HEX HEAD BOLT	[10PCS]
A2	A2. M12X70 HEX HEAD BOLT	[2PCS]
A3	A3. M10X75 HEX HEAD BOLT	[2PCS]
A4	A4. M10X40 HEX HEAD BOLT	[6PCS]
A3	B1. M12 NYLON LOCK NUT	[12PCS]
A3	B2. M10 NYLON LOCK NUT	[8PCS]
A4	B3. 1/2" NYLON LOCK NUT	[6PCS]
A4	C1. M12 (I.D.) WASHER	[2PCS]
B1	D1. 2"X2" END CAP (9211-005)	[4PCS]
B1	D2. 60X50 NYLON BUSHING (9211-033)	[4PCS]
B2	D3. Ø1" ROUND END CAP (9211-016)	[4PCS]
B2	D4. Ø110mm PULLEY (9213-002)	[8PCS]
B3	D5. 2"X2" FOOT CAP (9212-003)	[6PCS]
B3	D6. Ø8mm SPRING SNAP LINK (8810-001)	[2PCS]
C1	D7. 50X6t RUBBER DONUT (9310-019)	[2PCS]
C1	D8. 5170mm STEEL CABLE	[2PCS]
C1	D9. Ø5/8" PULLEY SPACER (8110-002)	[2PCS]



# PCC0-90

