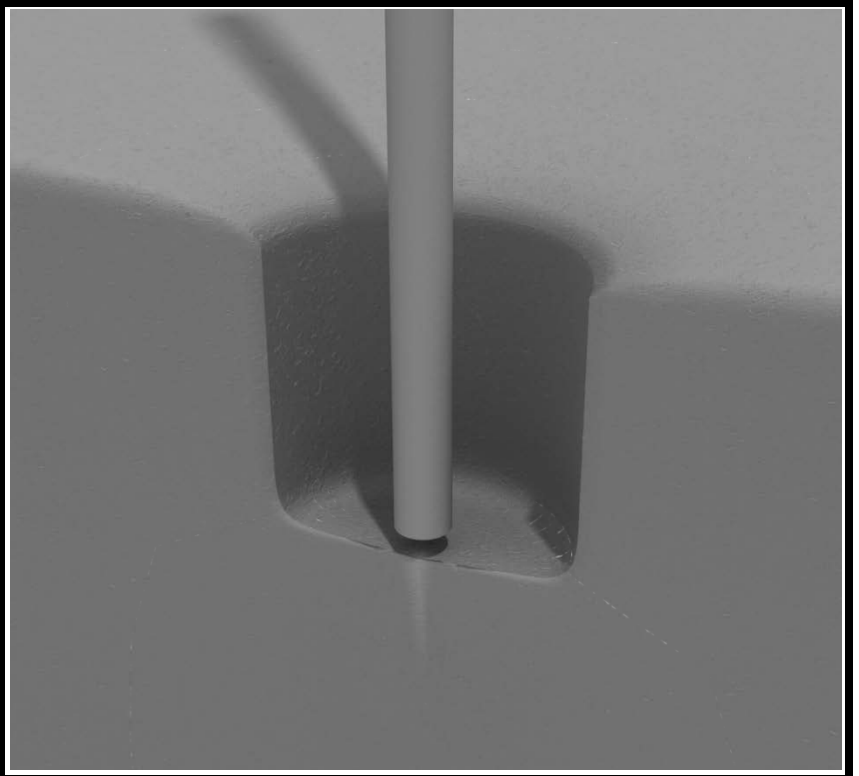


# Post Installation

## STEP: 1

**DO NOT CEMENT POSTS INTO PLACE  
UNTIL THE ENTIRE STRUCTURE IS  
ASSEMBLED.**

Refer to the General Installation  
guide footing information and dig  
proper holes for the support posts.



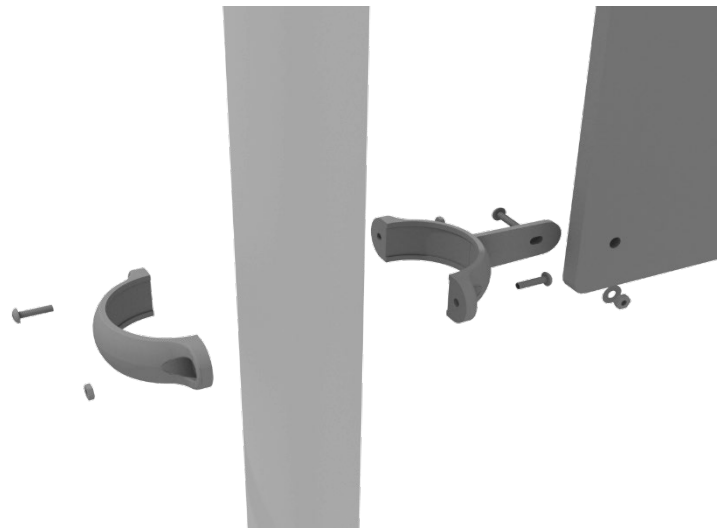
## 4.5-inch Clamp Installation Examples

The following two pages will include examples of how to install some of the most common types of Clamps that are present on our structures that use 4.5-inch outside diameter posts. The structure that you are assembling might not require all the types of clamps listed in these examples.

The Install Guides for specific components that come later in this document might call for a specific type of clamp (a tube clamp for example), those sections will not include detailed instructions for the clamps and should direct you back to this section for more detailed information.

### 4.5-inch Flat Clamp Installation Example

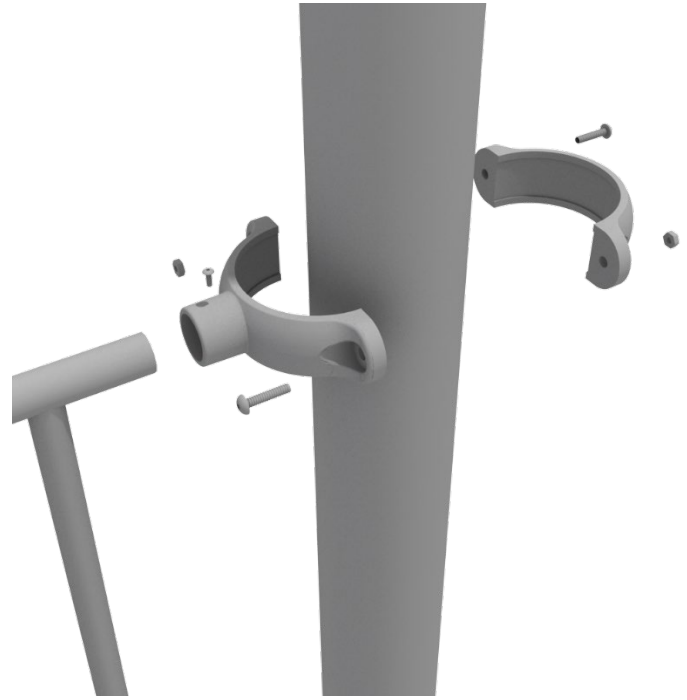
Connect half of the flat clamp to the component using one (1) M8\*30 bolt and Lock Nut. Then, using the other half of the flat clamp and the hardware provided in the clamp hardware bag, attach the backside of the flat clamp around the post.



## 4.5-inch Clamp Installation Examples

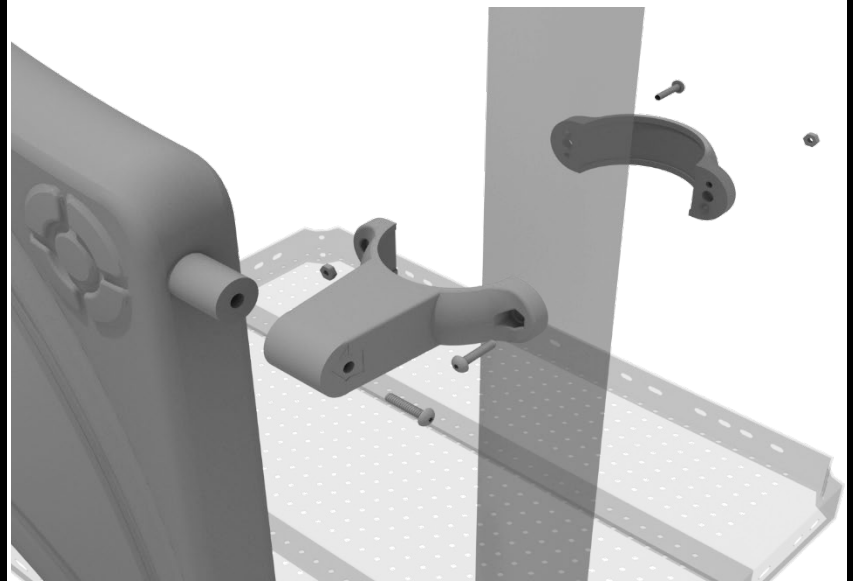
### 4.5-inch Tube Clamp Installation Example

Insert Bar on Component into one half of the Tube Clamp and attach with M4\*25 Set Screw. Then, using the other half of the tube clamp and the hardware provided in the clamp hardware bag, attach the backside of the tube clamp around the post.



### 4.5-inch Double Slide Clamp Installation Example

Connect half of the double slide clamp to the double slide hood using one (1) M8\*30 bolt. Then, using the other half of the clamp and the hardware provided in the clamp hardware bag, attach the backside of the double slide clamp around the post.



# Triangle Deck Installation

## STEP: 1

After the posts are in place, using three (3) M10\*35 bolts, six (6) M10 washers, and three (3) M10 lock nuts, attach the triangle deck to each pre-attached deck clamp as shown in the image.

Deck clamps are pre-attached to the posts and should not be altered in any way.



# ADA Ramp Install Guide

## STEP: 1

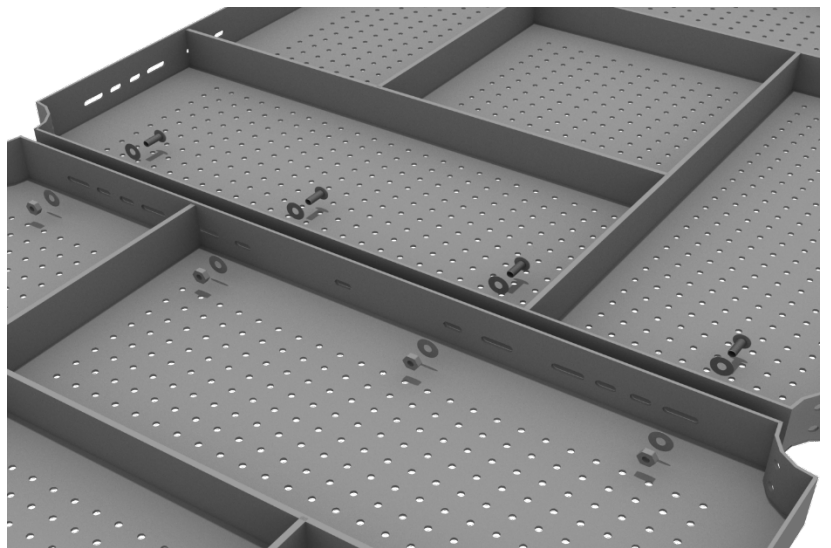
Some of the ADA Ramp sections will attach to the posts using deck clamps. Each deck clamp will attach to the ramp using one (1) M10\*35 bolt, two (2) M10 washers, and one (1) M10 lock nut.

Deck clamps are pre-attached to the posts and should not be altered in any way.



## STEP: 2

The ADA Ramps connect to each other and to flat decks. On the underside of the deck, install using four (4) M10\*25 Bolts, eight (8) M10 Washers, and four (4) M10 Lock Nuts. Repeat this process for every connection point.



# ADA Ramp Install Guide

## STEP: 3

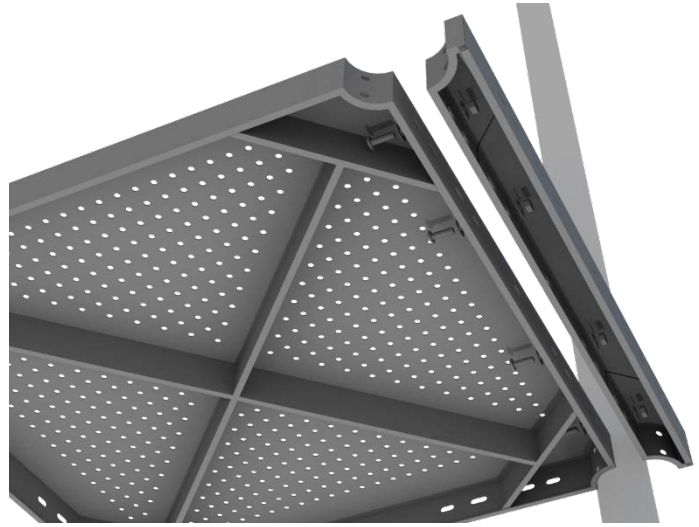
The ADA Ramp Handrails attach using tube clamps. See the Clamp Install Guide for detailed instructions on tube clamps.



# 3-Foot Double Straight Slide Installation

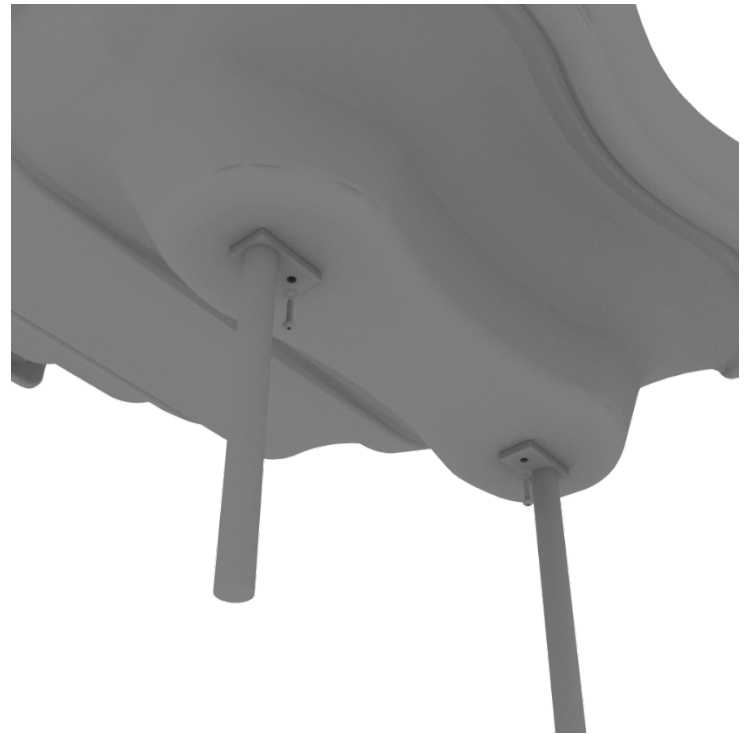
## STEP: 1

For the double slide, you will first need to attach the double slide deck extension. This will require four (4) M10\*25 bolts, eight (8) M10 washers, and four (4) M10 lock nuts.



## STEP: 2

Then, See general installation guide regarding footing information for the double slide end mounts. Using two (2) M8\*20 bolts, two (2) M8 spring gaskets, and two (2) M8 washers, attach the slide end mounts to the double slide.



# 3-Foot Double Straight Slide Installation

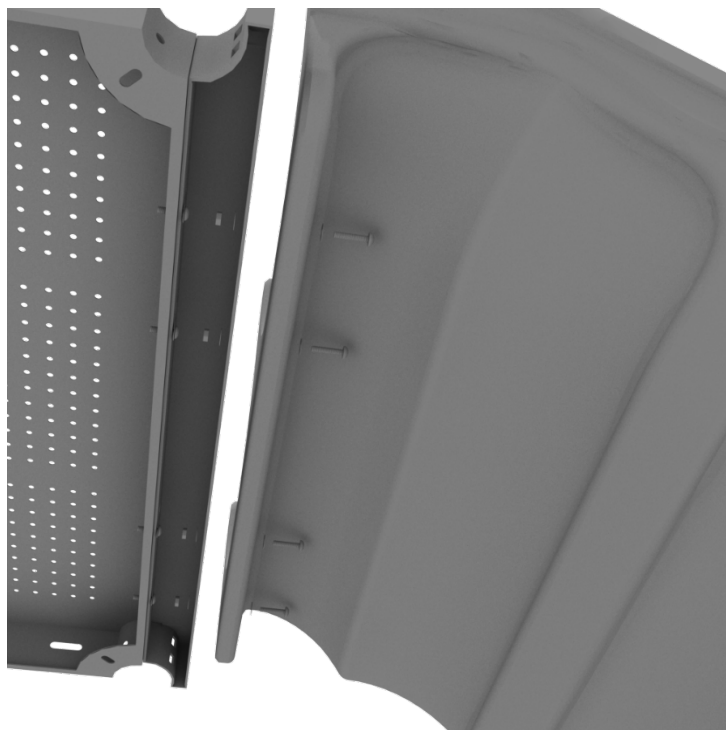
## STEP: 3

Then, See general installation guide regarding footing information for the double slide middle support. Attach the middle support to the slide using two (2) M8\*20 bolts, two (2) M8 spring washers, and two M8 washers.



## STEP: 4

Then, attach the slide to the deck extension using four (4) M10\*45 bolts, eight (8) M10 washers, and four (4) M10 lock nuts.



10859 Washington St.

Created By: Kelly D.

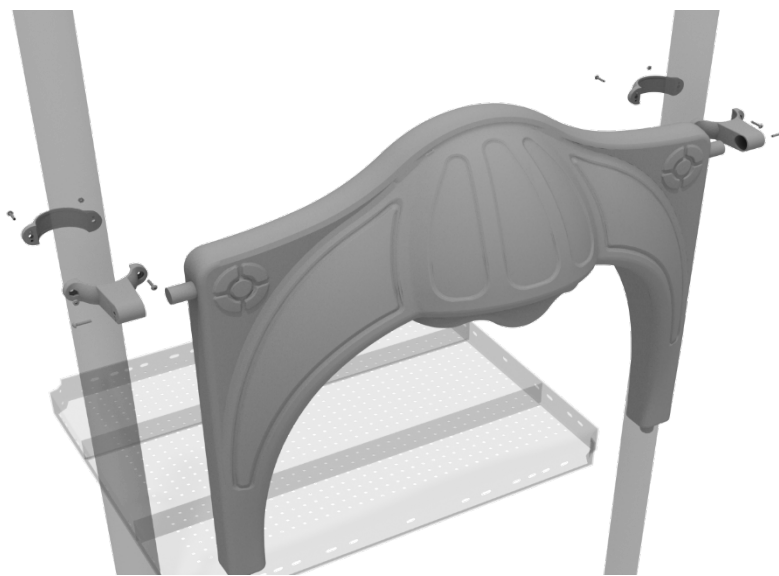
Date: 12/14/2020



# 3-Foot Double Straight Slide Installation

## STEP: 5

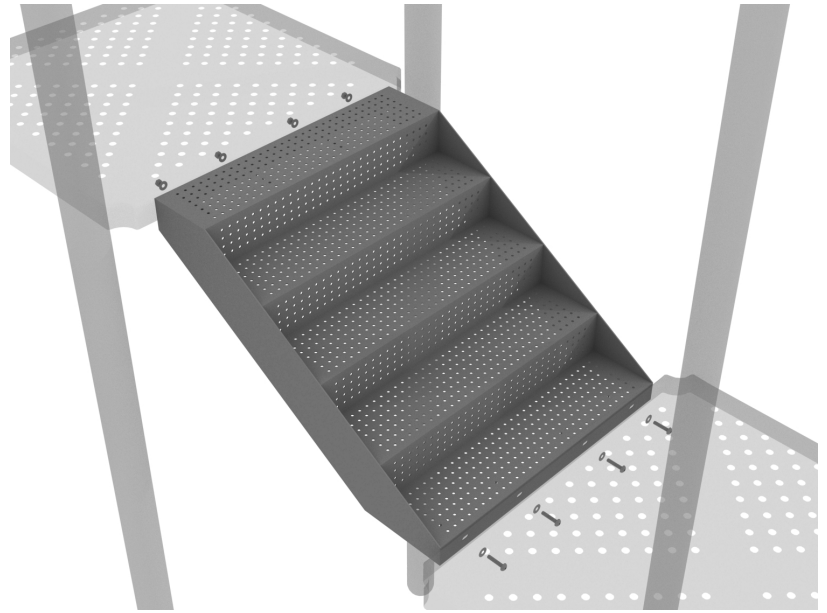
Once the slide is attached, take the double slide hood and insert it into the top of the slide, and then attach the top using two (2) double slide clamps, and two (2) M8\*30 bolts.



## 4.5-inch 2-Foot Middle Stair Install

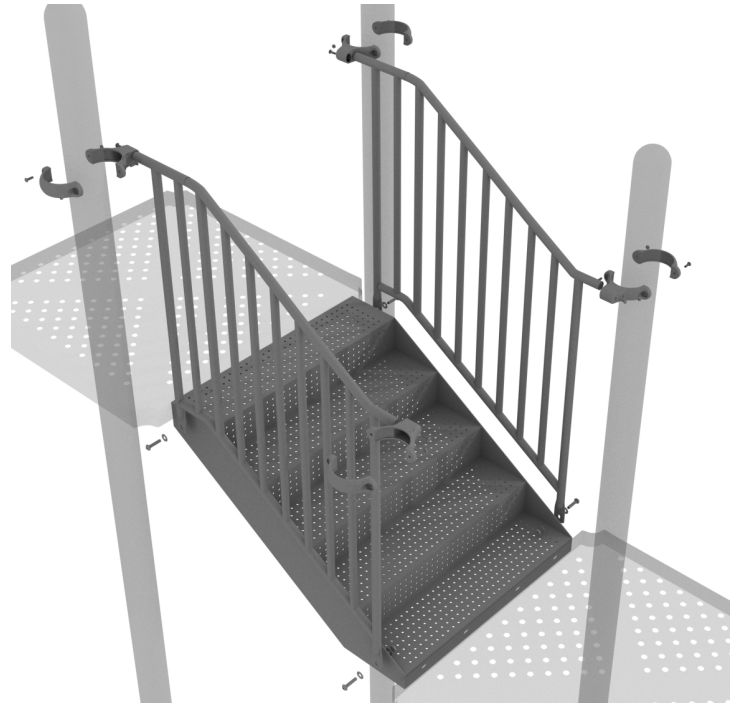
### STEP: 1

Using eight (8) M10\*25 Bolts, sixteen (16) M10 Washers, and eight (8) M10 Lock Nuts, connect the middle stair from one deck to the next.



### STEP: 2

Connect half of each 4.5-inch tube clamp to the middle handrail using one (1) M8\*35 Bolt. Set the handrail into place, then attach the second half of the clamp using the hardware provided in the clamp bag. Repeat this process for the other handrail. Then, using two (2) M10\*25 Bolts, four (4) M10 Washers, and two (2) M10 Lock Nuts, attach the bottom of the handrail to the side of the stair.



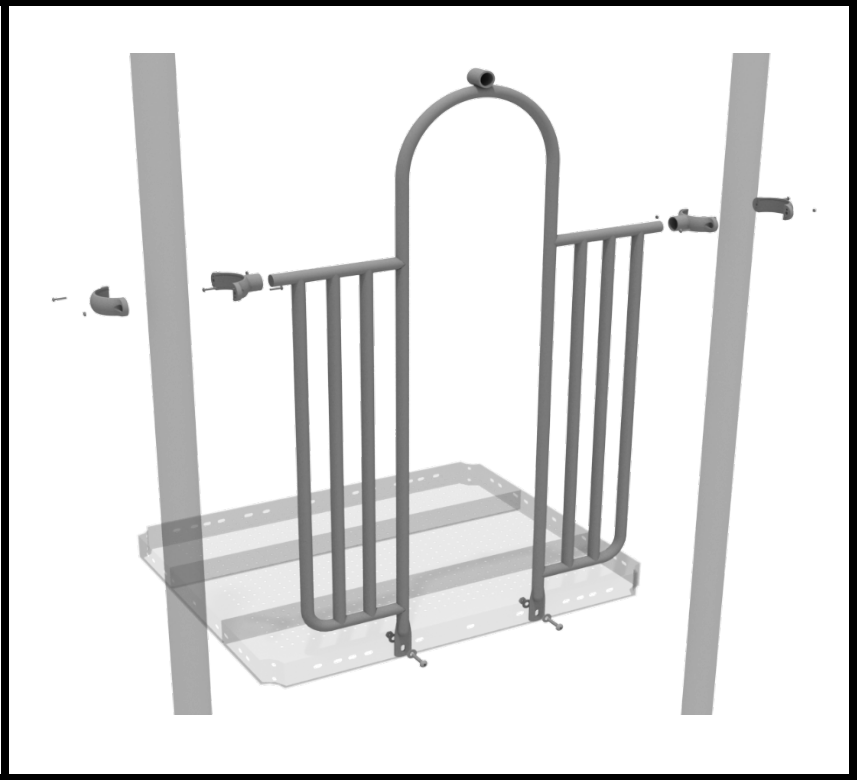
10859 Washington St.

Created By: Kelly D.  
Date Modified: 12/15/20

## 4.5-inch 2-Clamp Arch Rail Installation

### STEP: 1

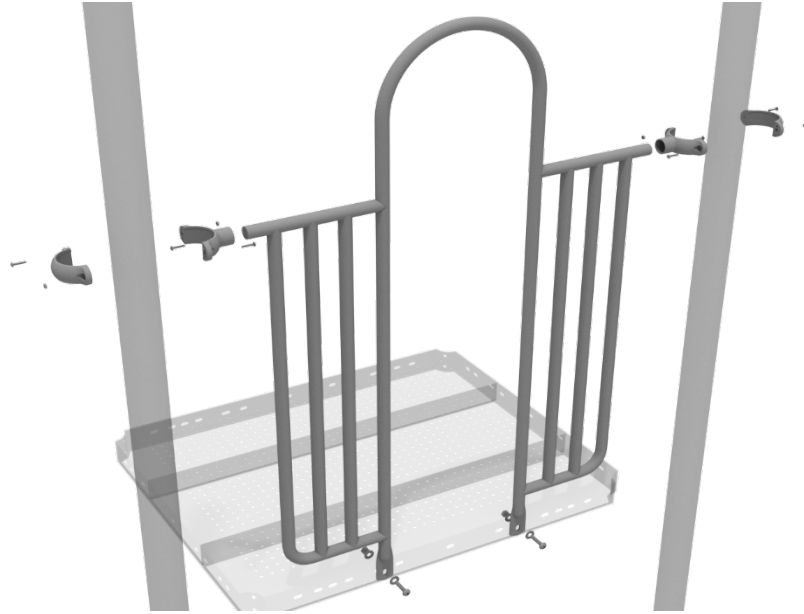
Attach the Arch Rail to the designated posts by connect half of the tube clamp to the arch rail using one (1) M8\*30 bolt. Repeat this process for each post attachment point. Then, attach the rail to the deck using two (2) M10\*25 bolts, four (4) M10 washers, and two (2) M10 lock nuts. Finally, attach the second half of the clamp around the post.



# 4.5-inch 2-Clamp Arch Rail Installation

## STEP: 1

Attach each two-clamp arch rail to the designated deck by using two (2) tube clamps, and two (2) M4\*25 self-tapping screws to attach the top of the panel to the posts. Then use two (2) M10\*25 bolts, four (4) M10 washers, and two (2) M10 lock nuts to attach the panel to the deck.

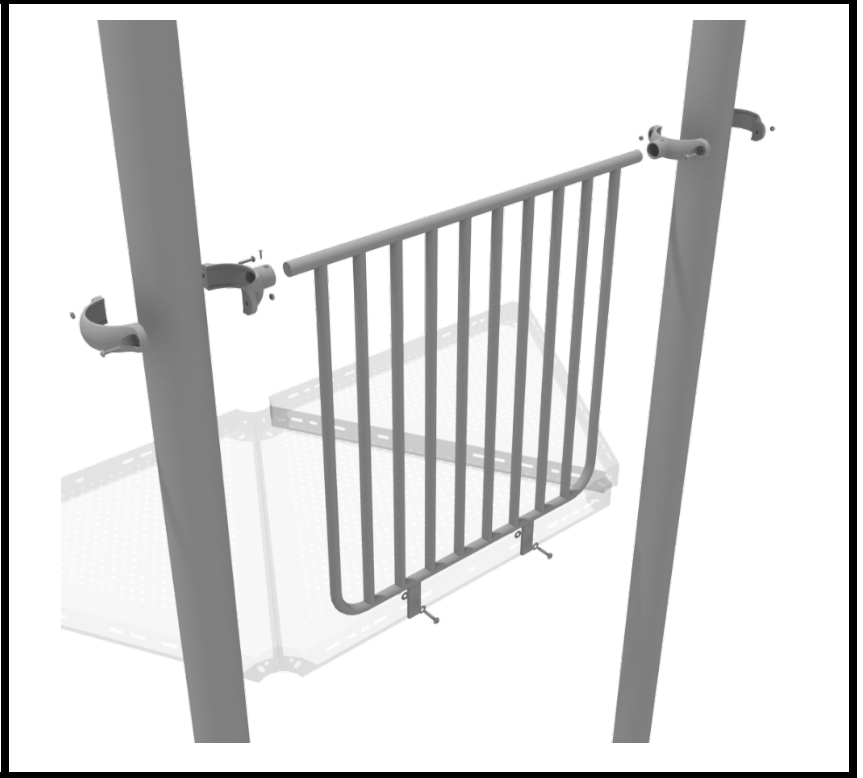


Created By: Aaron Price  
Date: 03/21/2018

# 4.5-inch Metal Barrier Installation

## STEP: 1

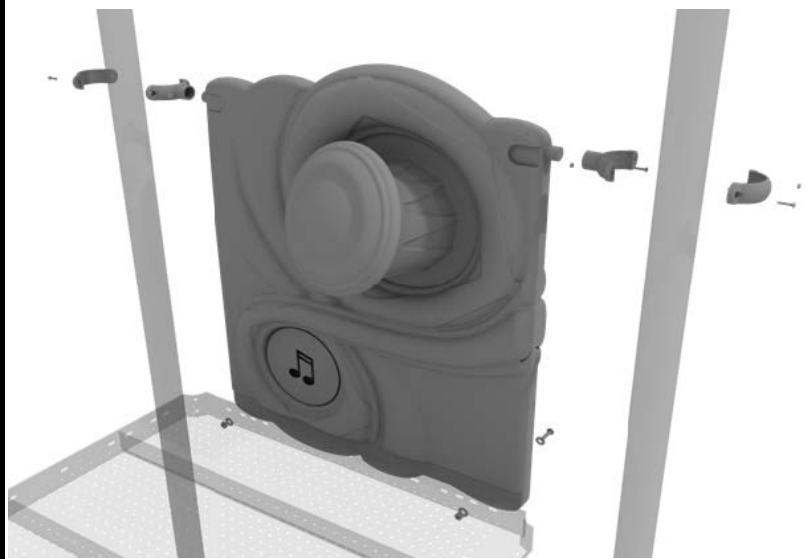
Attach two tube clamps to the metal barrier using two (2) M4\*25 self-tapping screws and attach those clamps to the proper support posts. Then, attach the bottom of the metal barrier to the deck using two (2) M10\*25 bolts, four (4) M10 washers, and two (2) M10 lock nuts.



Created By: Aaron Price  
Date: 03/21/2018

## Drum Beats Panel Install

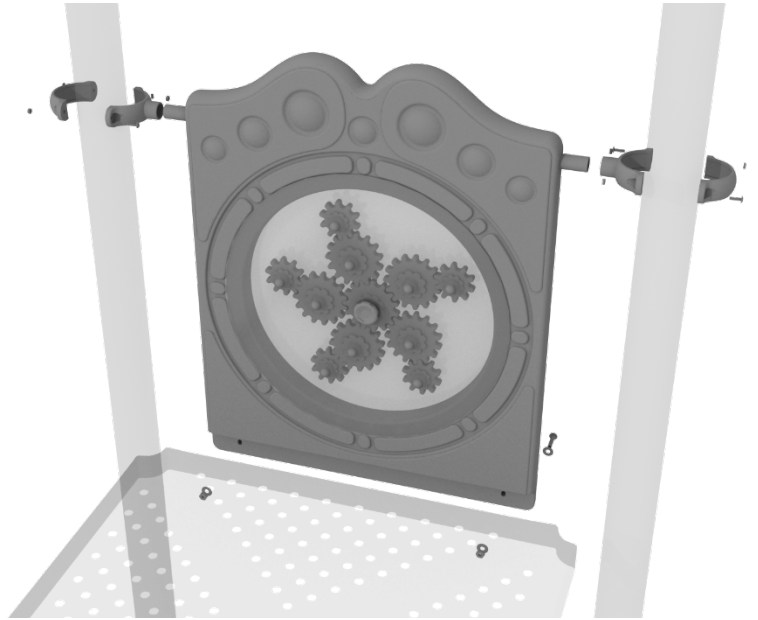
Attach two tube clamps to the Drum Beats Panel using two (2) M4\*25 self-tapping screws and attach those clamps to the proper support posts. Then, attach the bottom of the metal barrier to the deck using two (2) M10\*50 bolts, four (4) M10 washers, and two (2) M10 lock nuts



# 4.5-inch Gear Panel Installation

## STEP: 1

Attach two tube clamps to the Gear Panel using two (2) M4\*25 self-tapping screws and attach those clamps to the proper support posts. Then, attach the bottom of the metal barrier to the deck using two (2) M10\*50 bolts, four (4) M10 washers, and two (2) M10 lock nuts.

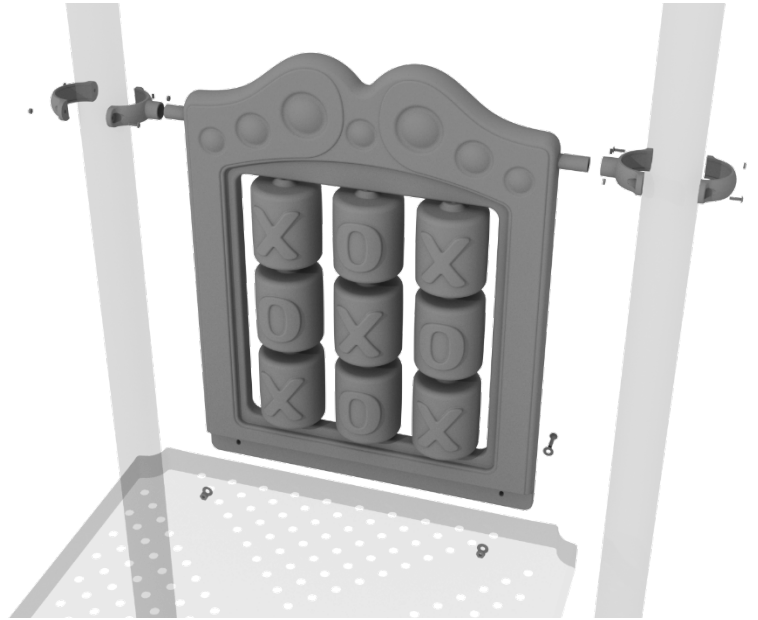


Created By: Derick H  
Date: 08/09/2018

# 4.5-inch Tic Tac Toe Panel Installation

## STEP: 1

Attach two tube clamps to the Tic Tac Toe Panel using two (2) M4\*25 self-tapping screws and attach those clamps to the proper support posts. Then, attach the bottom of the metal barrier to the deck using two (2) M10\*50 bolts, four (4) M10 washers, and two (2) M10 lock nuts.



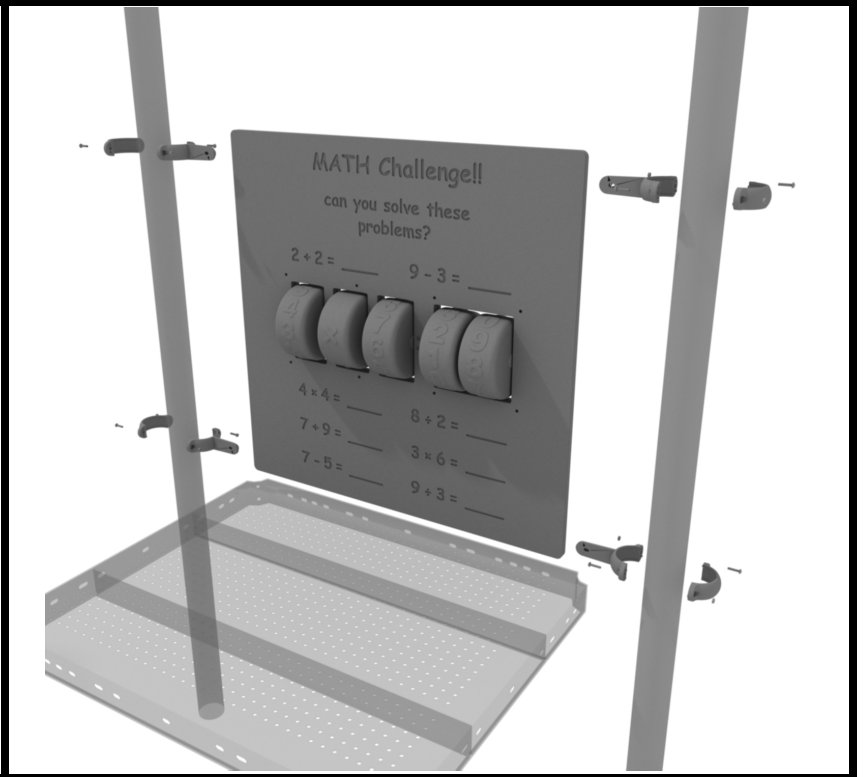
Created By: Derick H  
Date: 08/09/2018



# 4.5-inch Math Panel Installation

## STEP: 1

Connect the Math Challenge Panel to the designated post using four (4) 4.5-inch flat clamps.

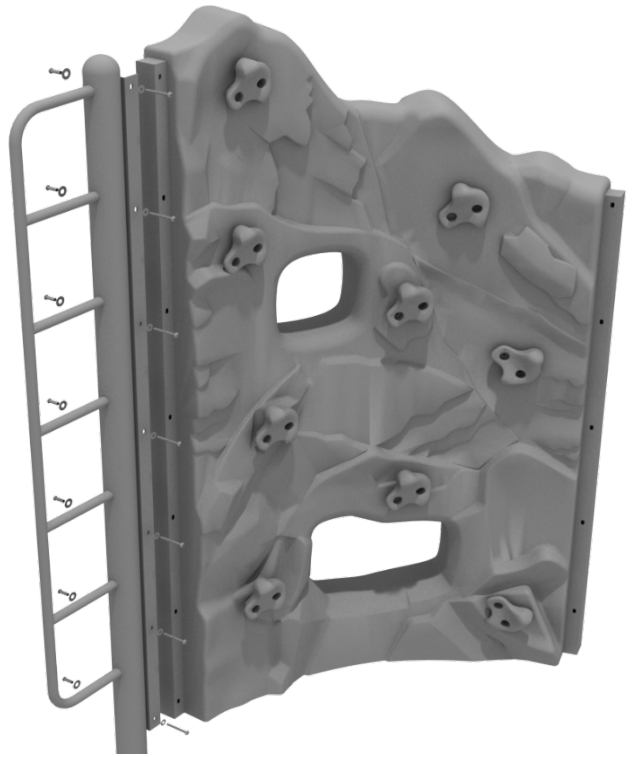


Created By: Derick H  
Date: 03/18/2019

# Craggy Rock Climber Installation

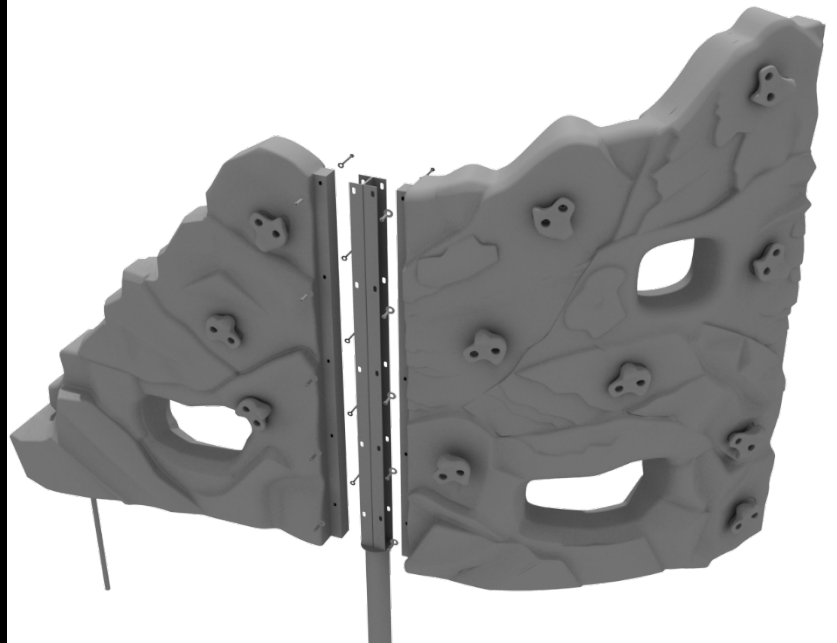
## STEP: 1

See general installation guide regarding footing information and dig the proper holes for the craggy rock climbers. Then, attach the curved craggy climber section to the ladder using seven (7) M12 bolts, seven (7) M8\*60 inner hex screws, seven (7) M12 washers, and seven (7) M8 washers.



## STEP: 2

Then, using the craggy climber short bracket, connect the craggy end section to the curved craggy section using ten (10) M12 bolts, ten (10) M8\*60 inner hex screws, ten (10) M12 washers, and ten (10) M8 washers.

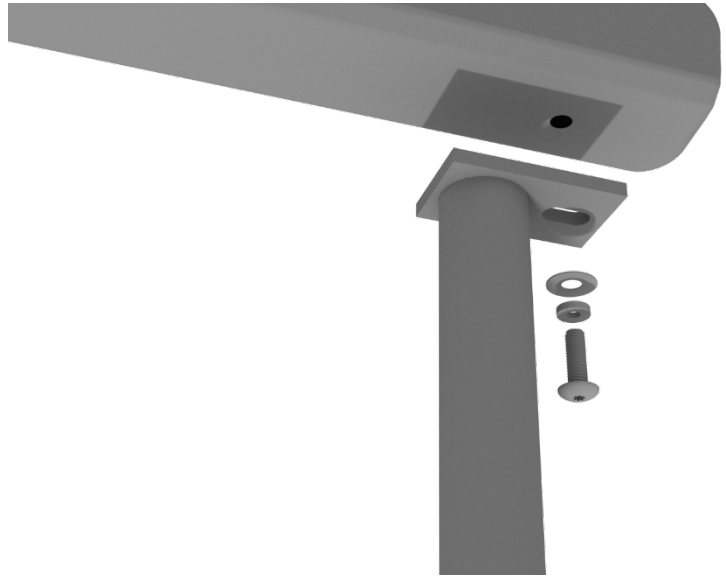


Created By: Aaron Price  
Date: 04/18/2018

# Sea Creature Climber Installation

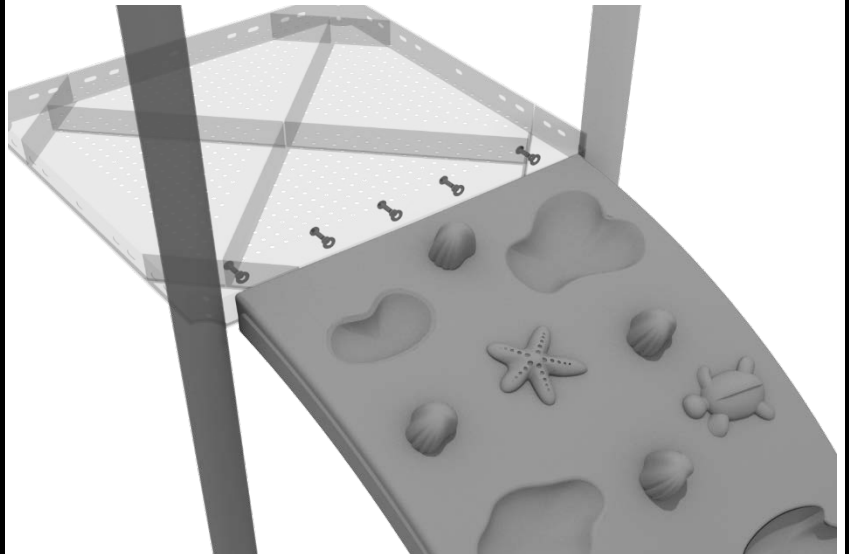
## STEP: 1

See general installation guide regarding footing information for the Sea Creature climber. Using two (2) M10\*20 bolts, two (2) M10 spring gaskets, and two (2) M10 washers, attach the bottom of the Sea Creature climber to the climber support posts.



## STEP: 2

Then using five (5) M10\*20 bolts, five (5) M10 spring gaskets, and five (5) M10 washers, attach the top of the Sea Creature climber to the deck.

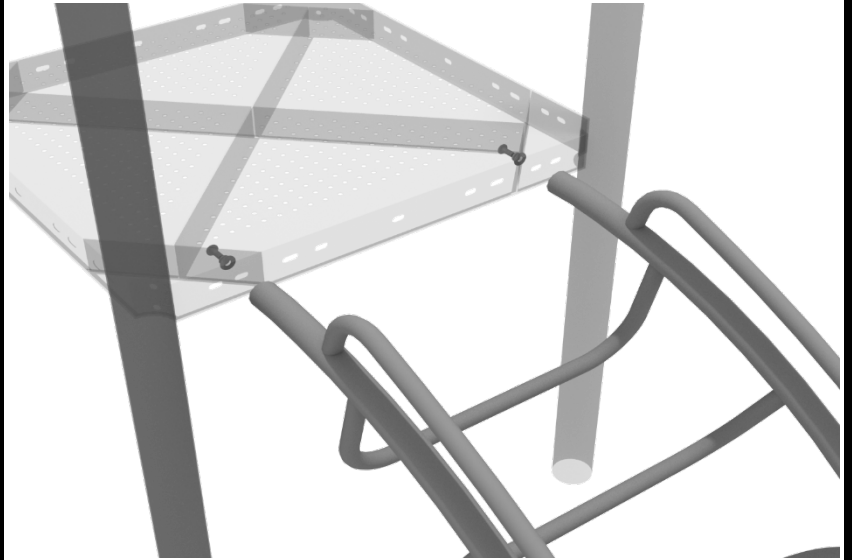


Created By: Aaron Price  
Date: 03/20/2018

# Inverted Arch Climber Installation

## STEP: 1

See general installation guide regarding footing information for the Inverted Arch climber. Attach the climber to the deck using two (2) M10\*25 bolts, two (2) M10 spring washers and two (2) M10 washers.

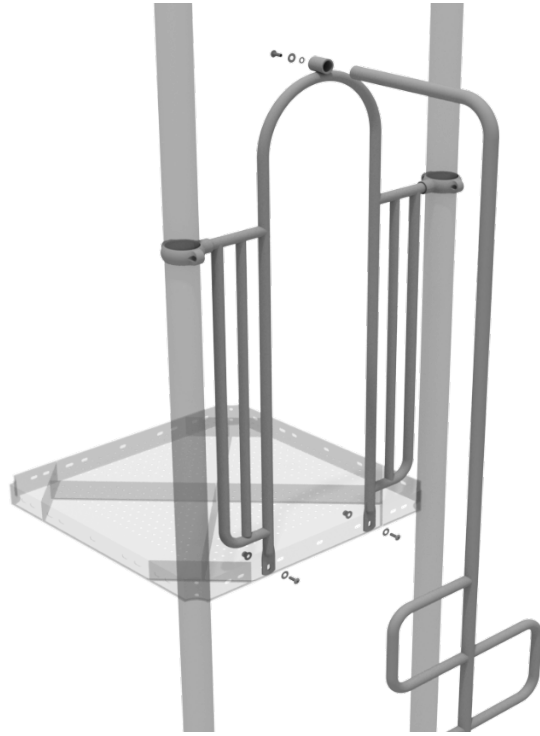


Created By: Aaron Price  
Date: 03/23/2018

# Snake Climber Installation

## STEP: 1

See general installation guide regarding footing information for the snake climber. Attach the top of the climber to the designated arch rail top bracket using one (1) M10\*20 bolt, one (1) M10 spring washer, and one (1) M10 washer.



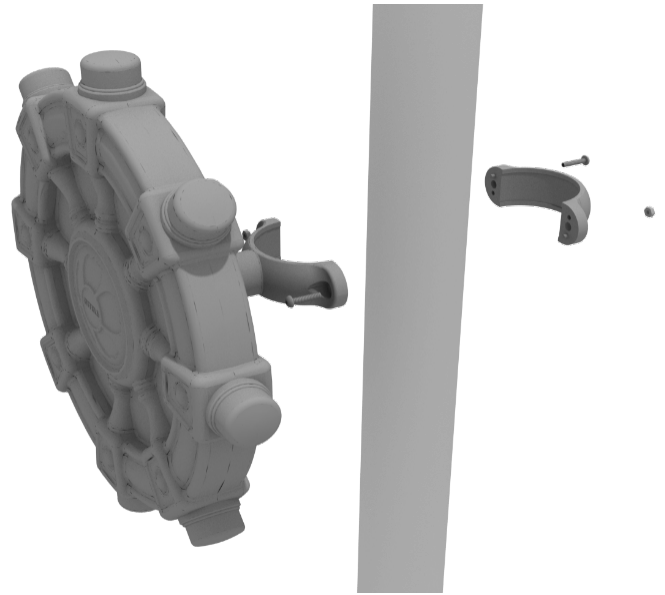
Created By: Aaron Price  
Date: 04/20/2018

# Ships Wheel Installation

Detach half of the tube clamp connected to the Ships Wheel, and re-attach the clamp around the support post, as shown in the picture. Recommended install height is 20 to 36 inches above surfacing depending on age range.

*We recommend using Thread-locking fluid on bolts connecting Ship's wheel to clamp to prevent hardware from loosening over time.*

(Thread-locker not supplied)



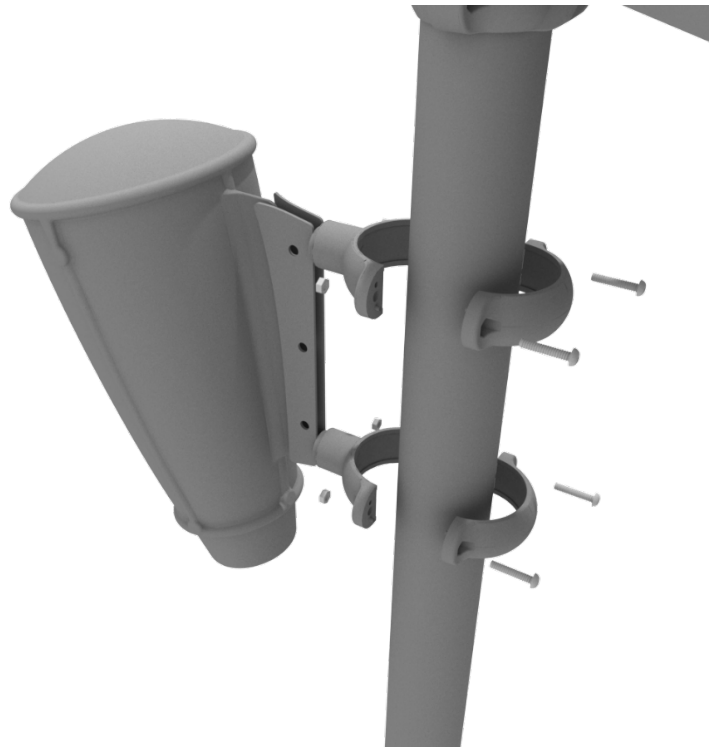
Created By: Aaron Price  
Date: 03/20/2018

# Single Drum Installation

Detach half of the tube clamps connected to the Single Drum, and re-attach the clamps around the support post, as shown in the image. Recommended install height is 20 to 36 inches above surfacing depending on age range.

*We recommend using Thread-locking fluid on bolts connecting Single Drum to clamp to prevent hardware from loosening over time.*

(Thread-locker not supplied)



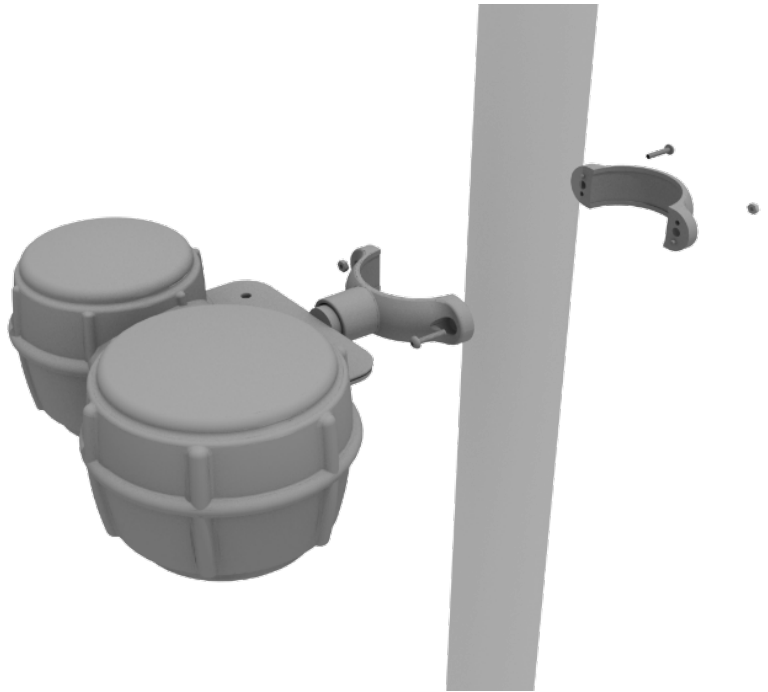
Created By: Aaron Price  
Date: 04/18/2018

# Bongos Installation

Detach half of the tube clamp connected to the Bongos, and re-attach the clamp around the support post, as shown in the image. Recommended install height is 20 to 36 inches above surfacing depending on age range.

*We recommend using Thread-locking fluid on bolts connecting Bongos to clamp to prevent hardware from loosening over time.*

(Thread-locker not supplied)



Created By: Aaron Price  
Date: 03/20/2018