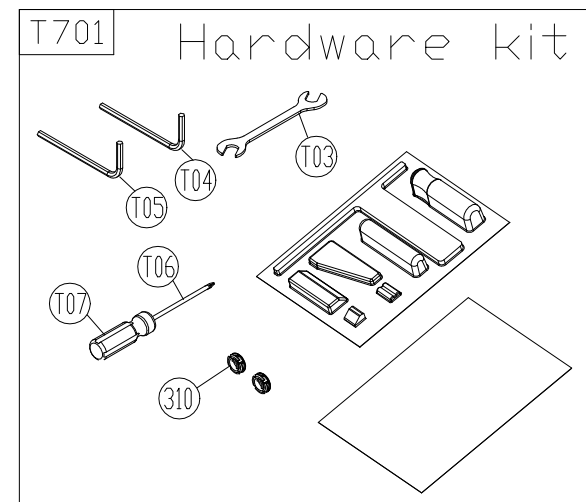
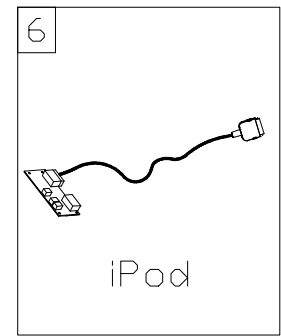
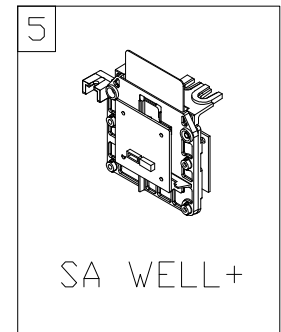
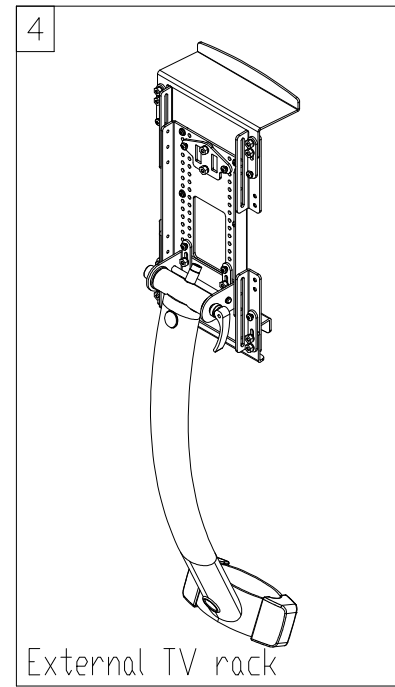
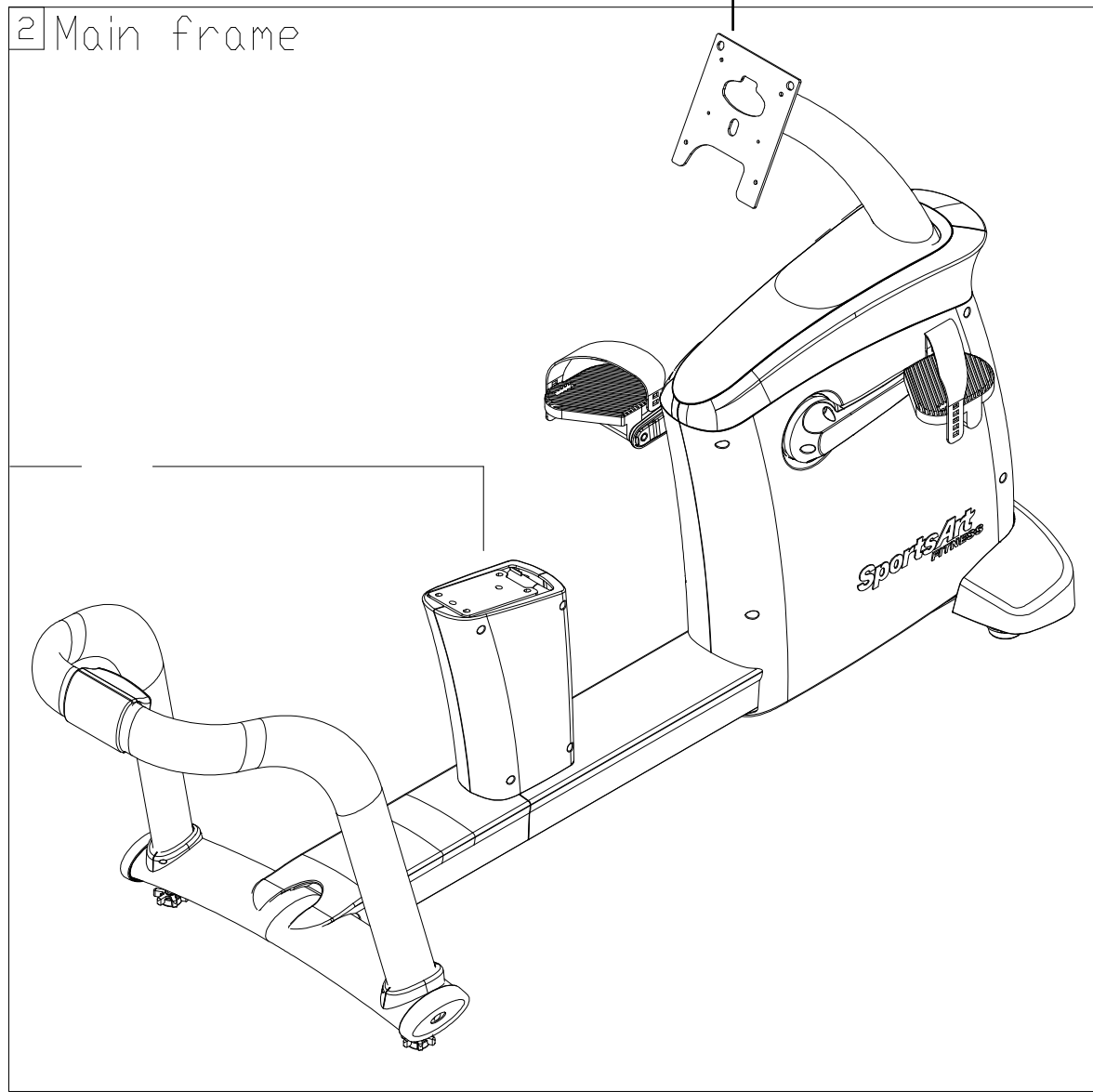
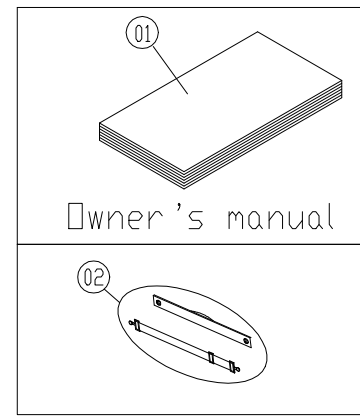
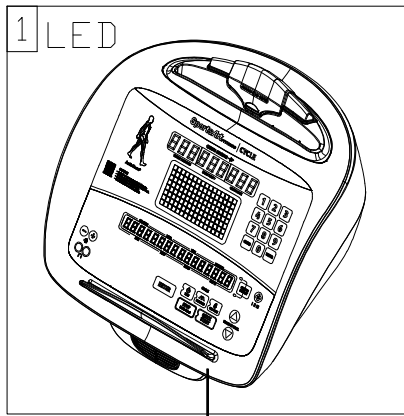
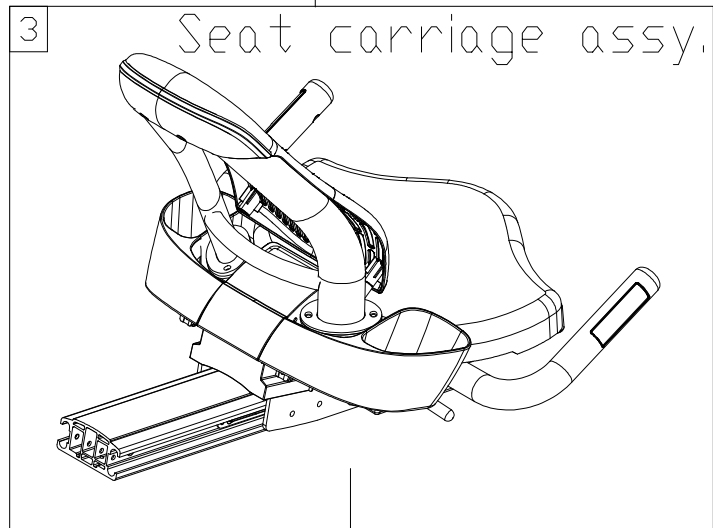
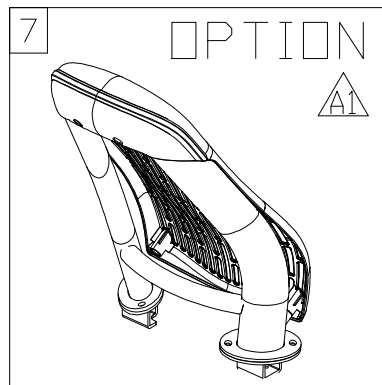


BBL	Description	QTY	Part Number	BBL	Description	QTY	Part Number
001	OWNER'S MANUAL	1	C575R-001	161	SCREW - M/P (M4*L25)	4	002-210-005
002	POLAR HEART RATE STRAP	1	3100-03A	162	SCREW - M/P (M4*L16 D8.5)	4	002-210-004
005	NO 900MHz OVERLAY	1	000-063-971	163	FAN COVER - OLD	1	057-830-056
005.1	900MHz OVERLAY	1	000-063-981	163A	FAN COVER	1	E875-163
009	ENTERTAINMENT CAP OVERLAY	1	C575U-009	165	ZIP TIE	20	000-076-241
010	WIRE - BLUETOOTH BUTTON	1	C575U-010	166	ZIP TIE	1	000-076-240
011	CARD GUIDE COVER	1	C575U-011	180	A/V OVERLAY	1	C575U-180
013	STICKER - QR CODE	1	C575U-013	181	SCREW - P (M4*P0.7*L10)	4	002-211-224
014	PLASTIC RIVET	1	C521M-093A	195	WIRE - GROUND	1	E835-A44
015	SA WELL+ COVER	1	C575U-015	196	SCREW - P (M4*P0.7*L12)	2	002-211-232
016	SCREW - M/P (M4*L10)	2	002-210-002	197	WASHER - F (D8*D4*T1.0)	2	003-301-017
017	WIRE - LED LIGHT	1	S715-017	198	STICKER - GROUND WIRE	1	000-063-002
018	RUBBER CUSHION	2	C575U-018	199	STICKER - BATTERY	1	052-563-060
019	SCREW - M/P (M4*L10)	3	002-210-002	201	POWER BRACKET OVERLAY	1	C575U-201
020	SCREW BRACKET	2	C575U-020	204	POWER SWITCH BRACKET	1	E850-150
021	SCREW - M/P (M4*L10)	6	002-210-002	205	SCREW - B/H (M5*P0.8*L10)	4	002-205-510
022	SCREW - M/P (M4*L10)	1	002-210-002	218	SCREW - B/H (M5*P0.8*L10)	2	002-205-510
023	WIRE CLIP - (1/4")	1	000-076-430	219	ADAPTER BRACKET	1	C572R-187
025	SCREW - M/P (M4*L10)	2	002-210-002	222	ALTERNATOR BELT - (330J5)	1	XT20-23
026	MAGAZINE HOLDER	1	C575U-026	223	ALTERNATOR	1	C575R-223
031	PAD	2	C575U-031	225	ALTERNATOR BRACKET	1	C570R-11
032	FAN VENT	1	C575U-032	226	WASHER - F (D17*D8.3*T2)	1	003-301-038
033	SCREW - P (M4*P0.7*L35)	2	002-211-230	227	SCREW - B/H (M8*P1.25*L20)	2	002-205-820
034	FAN	1	C570R-142	233	SCREW - B/H (M5*P0.8*L10)	4	002-205-510
035	FAN BRACKET	1	C570R-141	236	STICKER - BATTERY	1	C575R-236
036	SCREW - P (M4*P0.7*L8)	2	002-211-223	237	WIRE - BATTERY LINK	1	C575R-237
038	WASHER - F (D11*D4*T1.0)	2	003-301-030	238	WIRE - BATTERY TO DRIVE	1	C575R-238
039	WIRE - FAN	1	C570R-53	240	FUSE - 3A 110V	1	C575U-240
043	WIRE - HRC BOARD TO DISPLAY	1	C575U-043	244	WIRE - DRIVE TO PEDESTAL	1	C575R-244
044	HTR RECEIVER BOARD	1	C575U-044	245	DRIVE BOARD - 110V	1	C575R-245
046	KEY CUSHION	22	032-630-280	246	SCREW - B/H (M5*P0.8*L15)	2	002-205-516
047	STICKER - BUTTONS	4	000-063-705	247	WIRE - ALTRNATOR TO DRIVE	1	C570R-02
048	SMALL CAP	4	054-730-250	300	PEDESTAL	1	C575R-300
051	WIRE - DISPLAY TO HEADPHONE	1	058-627-040	301	SCREW - P (M5*0.8*L15)	4	002-211-096
060	SCREW - M/P (M4*L10)	2	002-210-002	302	SCREW HOLE CAP	1	C575U-314
061	USB BOARD BRACKET	1	C575U-061	303	SCREW - M/H (M8*P1.25*L25)	3	002-203-068
062	HEX SPACER	4	C575U-062	304	WASHER - S (D18*D8.5*T2.0*19T)	3	003-304-063
063	USB BOARD	1	C575U-063	305	GASKET - (D13*0.25-0.35)	3	053-530-320
064	SCREW - P (M3*P0.5*L6)	4	C575U-064	306	STICKER - MODEL NUMBER	1	C575R-306
095	DISPLAY BOARD - V3.0 (INTEGRATED CHIP)	1	157-820-035	310	PLUG	1	C575U-326
095.1	DISPLAY BOARD - V2.0 (SEPRATE CHIP)	1	C575U-095	311	UPPER COVER - SMALL	1	C575R-311
095.3	DISPLAY BOARD & PROGRAM CHIP - V2.0	1	C575U-707	312	SCREW CLIP - (M4-L16)	2	1250-111
097	SCREW - P (M3*L8)	23	002-212-042	313	SCREW - M/P (M4*L12)	3	002-210-003
099	WIRE - DISPLAY TO PEDESTAL	1	C575U-099	314	UPPER COVER - SHROUD	1	C575R-314
101	WIRE - BOOTLOADER	1	C575U-101	315	UPPER COVER BRACKET	1	157-710-072
102	WIRE - USB CHARGER	1	C575U-102	316	SCREW - M/P (M5*0.8*L12)	1	S972-174
153	CSAFE BOARD	1	C575U-153	319	UPPER SHROUD - RIGHT	1	C575R-319
154	SCREW - P (M4*L8)	2	002-212-070	320	SCREW - M/P (M4*L10)	4	002-210-002
155	WIRE - CSAFE & USB	1	C575U-155	323	SCREW - P (M5*P0.8*L20)	2	002-211-257
157	STICKER - NFC	1	000-063-125	324	FRONT WHEEL COVER	1	C575R-324
158	STICKER - NFC	1	000-063-126	328	TRANSPORT WHEEL	2	C521M-123

BBL	Description	QTY	Part Number	BBL	Description	QTY	Part Number
329	TRANSPORT WHEEL AXLE	2	099-213-010	443	REAR FRAME COVER - FRONT	1	C575R-443
330	WASHER - F (D16*D10.2*T1.0)	4	003-301-141	445	WASHER - F (D17*D8.3*T1)	8	003-301-044
331	E-CLIP - (8MM)	4	004-402-009	446	SCREW - M/H (M8*P1.25*L15)	8	C572R-132
332	SCREW - B/H (M8*P1.25*L20)	1	002-205-820	447	SUPPORT COVER - LEFT	1	C575R-447
333	WASHER - F (D17*D8.3*T2)	1	003-301-038	451	SCREW - B/H (M5*P0.8*L10)	2	002-205-510
334	PLUG	2	C575U-326	452	MODEL BOARD	1	057-820-062
335	SCREW - B/H (M6*P1.0*L15)	8	002-205-614	456	COVER BRACKET A	1	C570R-58
336	WASHER - SP (M6)	8	003-302-011	457	COVER BRACKET B	1	C575R-457
337	FRONT COVER BRACKET	1	C570R-60	458	SCREW - P (M4*P0.7*L10)	2	E850-116
344	WIRE - FLYWHEEL TO DRIVE	1	C570R-13	460	WATER GUARD	1	C572R-189
355	IDLER PULLEY WHEEL	1	C575U-410	461	FOAM TAPE	1	C572R-188
356	WASHER - F (D17*D8*T2.0)	2	020-110-020	465	WIRE - OPTIC TO DRIVE BOARD	1	C570R-96
357	SCREW - B/P (M6*P1.0*L12)	2	002-207-150	466	SCREW - B/H (M5*P0.8*L10)	2	002-205-510
358	SCREW - B/H (M6*P1.0*L15)	2	002-205-613	467	OPTIC SWITCH & BRACKET	1	C570R-97
359	WASHER - F (D15*D6.5*T3.0)	2	003-301-004	468	SIDE COVER - LEFT	1	C575R-468
362	IDLER PULLEY SPRING	1	080-404-010	469	SCREW - P (M5*P0.8*L20)	3	002-211-257
366	NUT - H (3/8")	2	001-102-042	470	CRANK ARM - LEFT	1	C575U-487
367	FLYWHEEL WASHER	2	103-306-003	471	SCREW - B/H (M5*P0.8*L10)	1	002-205-510
392	SNAP RING - (STW-20)	1	004-401-006	472	WIRE CLIP - (3/8")	4	000-076-450
393	WASHER - W (D42.1*D32*T0.35)	1	C521M-092	476	WIRE - COILED HTR	1	C570R-72
394	SCREW - H (M5*L5)	1	002-204-064	477	SCREW - B/H (M8*P1.25*L20)	4	002-205-820
395	SPINDLE BUSHING	1	053-211-250	478	WASHER - SP (M8)	4	003-302-010
396	DRIVE PULLEY	1	053-015-062	479	WASHER - F (D17*D8.3*T2)	4	003-301-038
397	DRIVE BELT - (470J8)	1	XT20-21	480	HANDLEBAR	1	C575R-480
401	SIDE COVER - RIGHT	1	C575R-401	481	SCREW - M/P (M4*L12)	4	002-210-003
402	SCREW - P (M5*P0.8*L20)	4	002-211-257	484	WIRE - HTR CONTACT	2	C575R-484
403	CRANK ARM - RIGHT	1	C575U-425	485	SCREW - P (M3*L6)	2	002-212-040
404	SPINDLE NUT	2	NT01-01	486	HTR BOARD	1	061-620-093
406	CRANK ARM COVER	2	C575U-424	487	WIRE - HTR CONTACT TO BRD	1	C575R-487
407	WASHER - SP (M6)	6	003-302-011	491	STICKER - BLACK	3	000-063-016
408	SCREW - B/H (M6*P1.0*L20)	6	002-230-622	492	HTR RECEIVER COVER	1	5100-82
409	PEDALS & STRAPS - PAIR	1	C570R-62	493	SCREW - P (M4*P0.7*L12)	4	002-211-225
409.1	PEDAL STRAPS - PAIR	1	C570R-500	494	BUSHING	2	C570R-117
413	SCREW - P (M5*P0.8*L20)	6	002-211-257	495	WASHER - F (D42*D31*T0.5)	3	003-301-035
414	SUPPORT COVER - RIGHT	1	C575R-414	497	SCREW - M/H (M8*P1.25*L15)	2	C572R-132
415	WIRE - BRIDGE BOARD TO DRIVE	1	C570R-71	500	HANDLE SPRING A	1	C570R-120
416	SCREW - P (M5*P0.8*L20)	2	002-211-257	501	SCREW - P (M5*P0.8*L15)	8	002-211-256
418	PLASTIC SLEEVE (D9*D5.1*L8)	2	030-141-013	502	SEAT BACK HANDLE PIN	1	5002-40
419	FRAME COVER - FRONT	1	C575R-419	503	WASHER - F (D24*D13*T2.0)	2	003-301-046
420	SCREW - P (M5*P0.8*L20)	6	002-211-257	504	COTTER PIN	1	004-405-031
421	FRAME COVER - BACK	1	C575R-421	505	LEVER ARM	1	C572R-124
422	WIRE CLIP	3	000-076-010	506	LEVER ARM COVER	1	C575R-506
425	SCREW COVER	2	C575U-430	507	POSITIONER ROD A	1	C570R-132
426	SCREW - B/H (M6*P1.0*L20)	2	002-205-621	508	ADJUSTMENT LOCKER	1	5002-42
432	SCREW - P (M3*L10)	4	002-212-044	509	HANDLE SPRING B	1	C572R-121
435	REAR FRAME	1	C575R-435	510	ROTATOR SPRING A	1	C570R-134
438	REAR FRAME COVER - BACK	1	C575R-438	511	NUT - H/N (M10)	1	001-101-030
439	SCREW - B/H (M6*P1.0*L15)	4	002-205-614	512	SCREW - B/H (M5*P0.8*L10)	2	002-230-514
440	WASHER - SP (M6)	4	003-302-011	519	NUT - H/N (M8)	8	001-101-080
441	WASHER - F (D13*D6*T2.0)	4	003-301-045	520	WASHER - F (D17*D8.3*T2)	8	003-301-038
442	SCREW - P (M5*P0.8*L35)	2	002-211-262	521	BUSHING	8	051-413-090

BBL	Description	QTY	Part Number	BBL	Description	QTY	Part Number
522	ROLLER WHEEL	8	077-353-010	708A	HEADPHONE JACK - V2.0	1	158-691-080
523	SCREW - (M8*P1.25*L40)	8	051-402-041	709	DISPLAY FRONT & OVERLAY - OLD	1	C575U-709
524	SCREW - P (M4*P0.7*L12)	2	002-211-225	709A	DISPLAY FRONT & OVERLAY - NEW	1	157-791-092
525	COILED HTR WIRE BRACKET	1	C570R-135	710	DISPLAY OVERLAY (2 PC) - OLD	1	C575R-710
526	SCREW -B/H (M8*P1.25*L18)	1	002-205-813	710A	DISPLAY OVERLAY (2 PC) - NEW	1	157-791-102
533	SEAT POSITION STICKER	1	C575R-533	711	HTR RECEIVER BOARD & WIRE	1	C575U-711
534	SCREW - M/H (M6*P1.0*L16)	4	002-203-021	713	DISPLAY BACK COVER ASSY	1	C575U-713
535	STOPPER AXLE	2	C570R-106	714	SCREW & BUSHING	4	C575U-714
537	SEAT STOPPER	2	5002-13	715	CSAFE BOARD & SCREWS	1	C575U-715
538	WASHER - F (D20*D6.3*T1.5)	2	003-301-007	716	AIR VENT SET	1	C575U-716
540	WASHER - (D16.5*D5.2*T2.0)	3	E850-219B	717	FAN ASSEMBLY	1	C575U-717
541	BUSHING	3	C575R-541	718	FAN COVER SET	1	C575U-718
542	SCREW - M/H (M6*P1.0*L8)	6	002-203-043	719	DISPLAY ASSEMBLY - NO FAN	1	C575R-719
543	SEAT ADJUSTMENT GUIDE	1	C575R-543	720	DISPLAY ASSEMBLY - FAN	1	C575R-720
544	SCREW - B/H (M5*P0.8*L10)	2	002-230-514	731	WIRE - GROUND	1	C521U-436
545	SCREW - M/P (M4*L12)	1	002-210-003	732	POWER SWITCH BRACKET	1	C575U-732
546	ZIP TIE	1	000-076-290	733	WIRE - BATTERY CHARGER	1	C575R-733
547	SEAT GUIDE COVER - FRONT	1	C575R-547	734	POWER CORD INPUT ASSEMBLY	1	C575U-734
551	SCREW -B/H (M8*P1.25*L18)	1	002-205-813	736	BATTERY BRACKET	1	C575R-736
552	SCREW SHEATH	1	C570R-121	737	BATTERY (2 PC)	1	C575U-737
553	SEAT CARRIAGE ASSEMBLY	1	C575R-553	737.1	WALL CHARGER - 18V	1	<-----
554	SCREW - B/H (M6*P1.0*L10)	2	002-205-610	739	UPPER SHROUD ASSEMBLY	1	C575R-739
555	SPRING BRACKET	1	C572R-094	741	UPPER SHROUD - LEFT	1	C575R-741
556	POSITION PIN	1	C570R-127	743	TRANSPORT WHEEL ASSEMBLY	2	C572R-438
557	ROTATOR SPRING	1	C570R-126	744	LEVELER FOOT	2	C570U-69
558	CONNECTOR	1	C570R-124	745	FLYWHEEL	1	C572R-433
559	SNAP RING - (10MM)	2	C575R-559	746	IDLER PULLEY	1	C575U-750
560	WASHER - F (D22*D13*T1.0)	1	C575R-560	747	MAIN FRAME	1	C575R-747
561	SEAT ADJUST HANDLE	1	G575R-561	748	SPINDLE ASSEMBLY	1	C575R-748
565	SEAT CUSHION	1	052-334-037	749	CRANK ARM & NUT - RIGHT	1	157-791-490
566	WASHER - F (D20*D8*T1.0)	4	003-301-026	750	BRIDGE BOARD	1	C570R-73
567	WASHER - SP (M8*T2.0)	6	003-302-006	751	TUBE SUPPORT COVER - RIGHT	1	C575R-751
568	SCREW - H (M8*P1.25*L20)	4	002-201-030	752	TUBE END CAP	2	C575U-758
575	SCREW - B/H (M8*P1.25*L20)	4	002-205-820	753	LEVELER FOOT	2	G572U-429
576	WASHER - SP (M8)	4	003-302-010	754	MODEL BOARD ASSEMBLY	1	C575U-757
577	RUBBER COVER - LEFT	1	C575R-577	755	CRANK ARM & NUT - LEFT	1	157-791-550
578	RUBBER COVER - RIGHT	1	C575R-578	756	TUBE SUPPORT COVER - LEFT	1	C575R-756
579	SEAT BACK FRAME - RIGHT	1	C575R-579	757	SPINDLE & PULLEY ASSEMBLY	1	157-791-570
580	DOUBLE HEAD KEY	1	C570R-114	771	HANDLEBAR ASSEMBLY	1	C575R-771
581	SEAT BACK FRAME - LEFT	1	C575R-581	772	HTR CONTACT PLATE & SCREWS (2 PC)	2	C572U-411
582	SCREW - M/P (M5*L12)	2	002-210-031	773	SEAT CARRIAGE ASSEMBLY	1	C575R-773
583A	BOTTLE HOLDER - RIGHT	1	C575R-583	774	HTR BOARD ASSEMBLY	1	C575R-774
584	BOTTLE HOLDER - CENTER	1	C575R-584	775	SEAT ADJUSTMENT ROD	1	C570R-123
585	SCREW - P (M5*P0.8*L10)	2	002-211-254	776	SEAT CARRIAGE	1	C575R-776
586A	BOTTLE HOLDER - LEFT	1	C575R-586	777	ADJUSTMENT HARDWARE	1	C572R-415
701A	DISPLAY ASSEMBLY - COMPLETE - 900MHz	1	157-791-011	778	SEAT POSITION ROD	1	C570R-136
702	DISPLAY ASSEMBLY - FRONT	1	C575R-702	779	LEVER ARM	1	157-791-790
703	ENTERTAINMENT CAP	1	C575U-703	780	SEAT CUSHION	1	5150-44
704	FLIP TOP	1	C575U-704	781	BACK CUSHION	1	C575R-781
705	USB BOARD	1	C575U-705	782	SEAT CARRIAGE RAIL	1	C575R-782
708	HEADPHONE JACK	1	T652-448	783	CUP HOLDER ASSEMBLY	1	156-191-380

BBL	Description	QTY	Part Number	BBL	Description	QTY	Part Number
A74	WIRE - MODEL NUMBER	1	C575U-248				
R01	SCREW - B/H (M6*P1.0*L25)	2	002-205-622				
R02	SCREW - B/H (M6*P1.0*L15)	2	002-205-613				
R03	SEAT BACK COVER	1	053-530-185				
R05	SCREW - B/H (M8*P1.25*L20)	4	002-205-820				
R06	WASHER - SP (M8)	4	003-302-010				
R07	RUBBER COVER	2	057-730-380				
R08	PLASTIC SEAT BACK	1	053-534-015				
R09	SCREW - B/H (M6*P1.0*L15)	2	002-205-613				
R701	SEAT BACK ASSEMBLY	1	158-091-340				
T701	HARDWARE KIT	1	C575R-T701				



No.	Diagram	Tool Needed
1	CAR-F101B	
2	CAR-F101C	
3	CAR-F101D	
4	CAR-F101E	OPTION
5	CAQ-F101F	OPTION
6	TBK-F101E	OPTION
7	CAR-F101F	OPTION

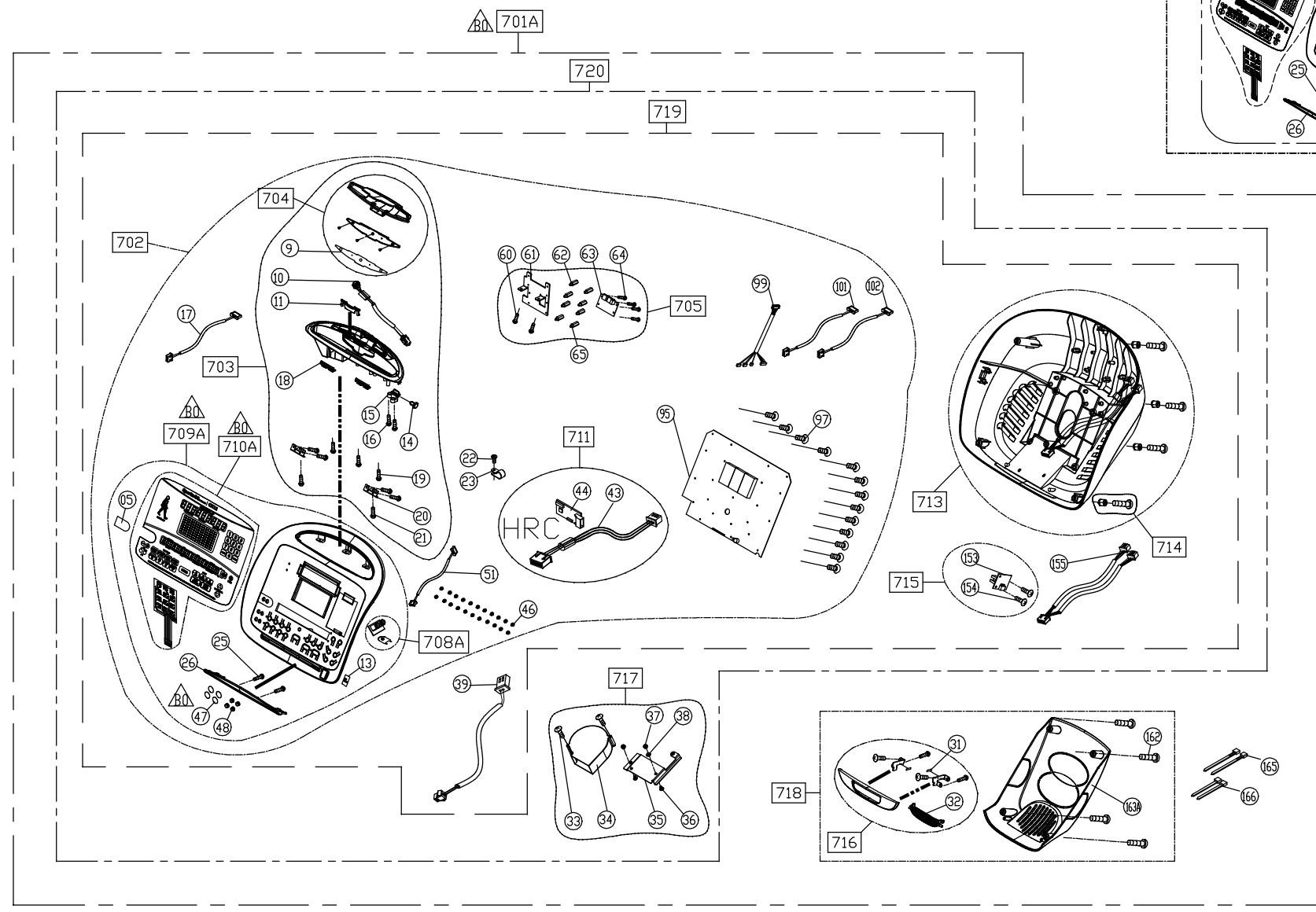
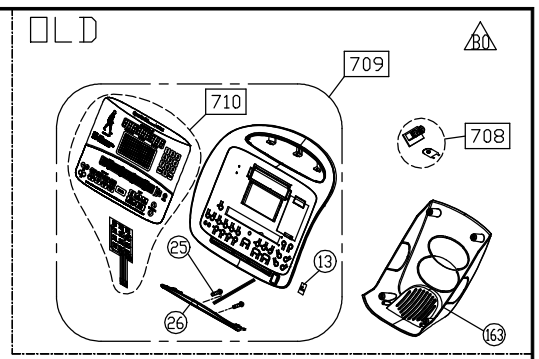
CHANGE DATE	CHANGE DESCRIPTION	CHANGE NO.	NAME
2014.10.27	增加選配椅背支撐組圖面CAR-F101F		林士文

SportsArt
FITNESS

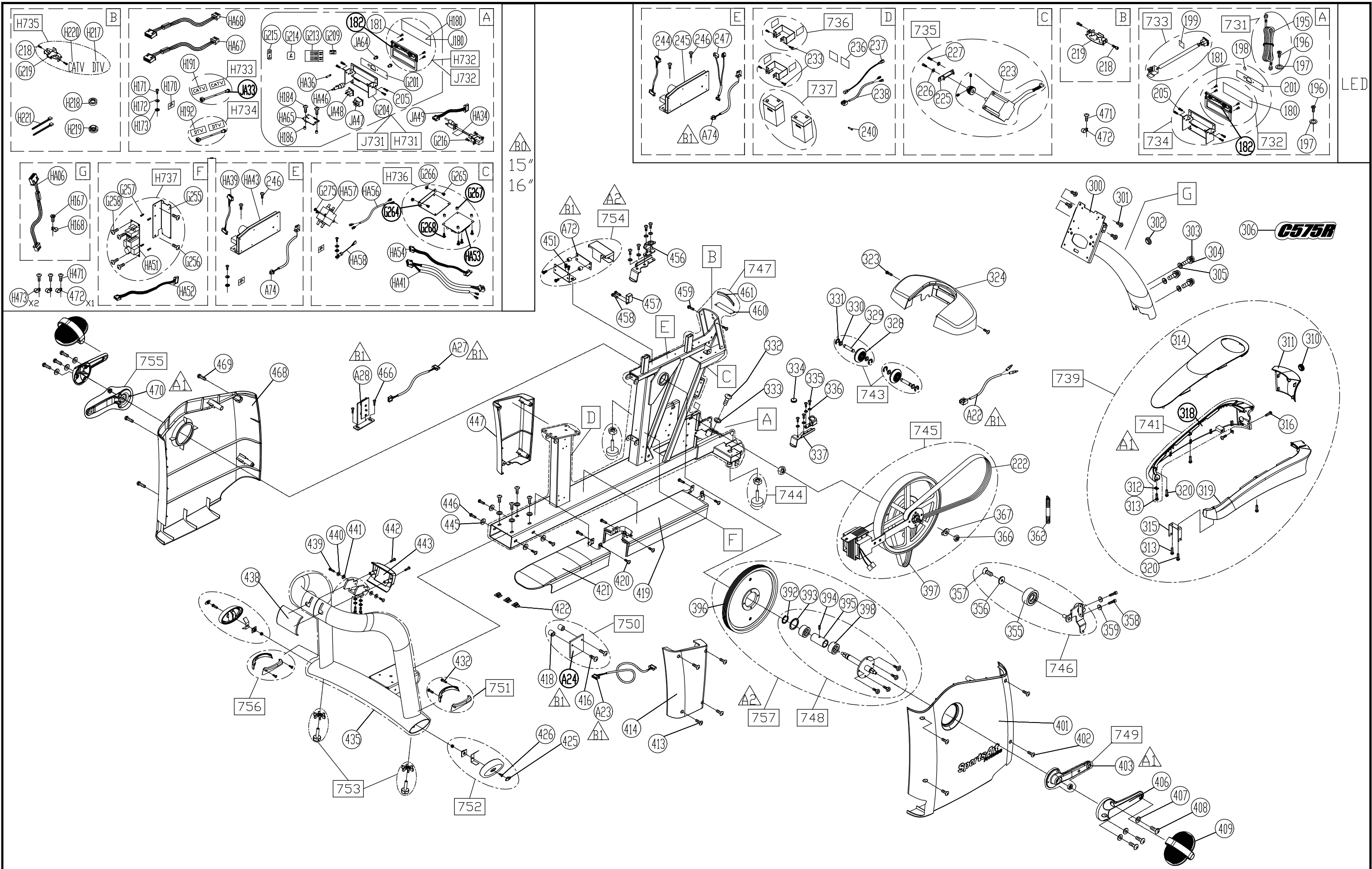
RESTRICTED USAGE,
PLEASE DON'T FORWARD TO ANYONE WHO ISN'T AUTHORIZED

DRAWN BY	UNITS	MM	SALES BLOW UP DIAGRAM	DIAGRAM NO.
	QTY	1		
VERIFIED BY	VERSION	A1	XX	MODEL
	RATIO	1:10		

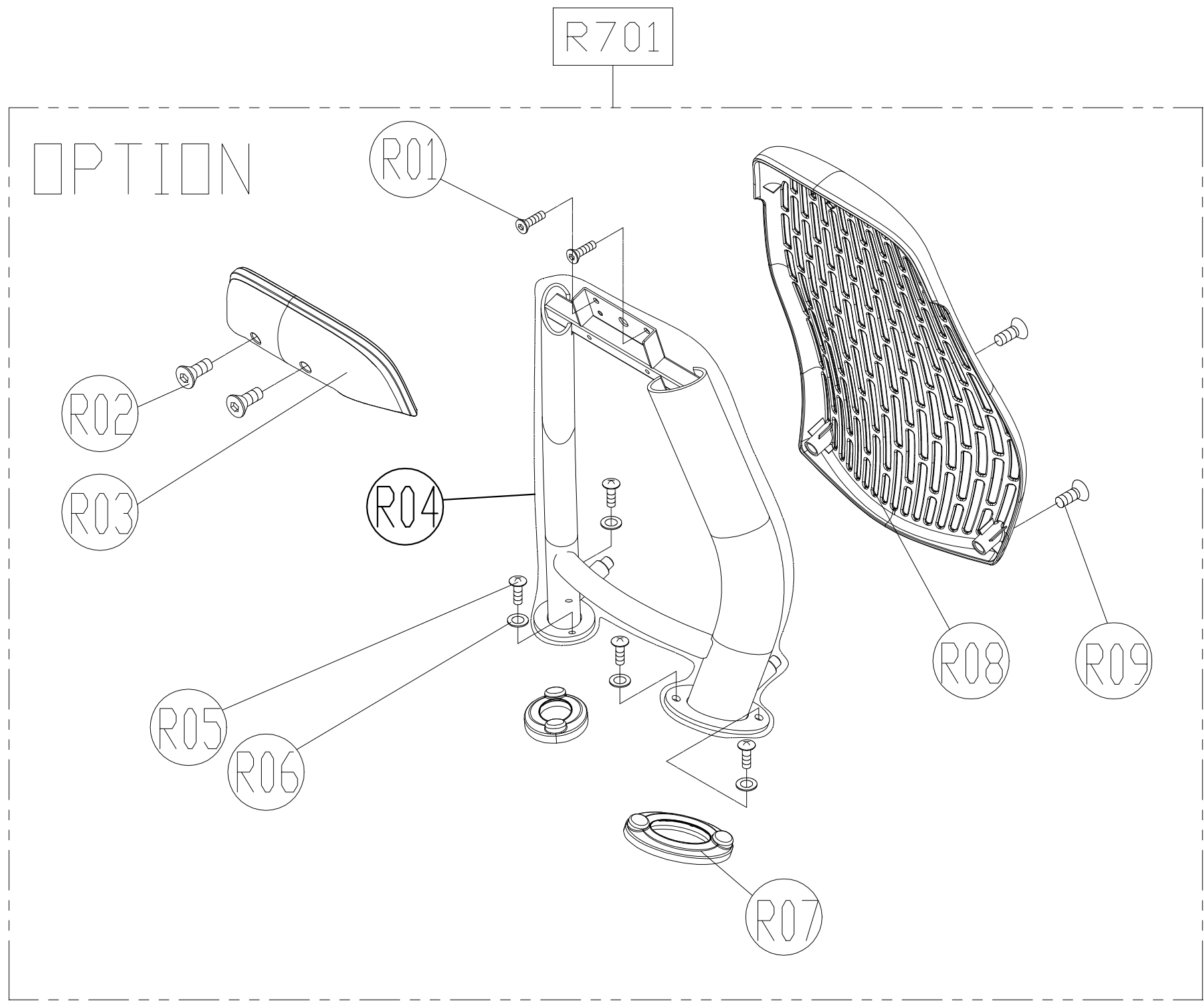
DIAGRAM NO.	MODEL
	CAR-F101A-A
	C575R-LED



CHANGE DATE	CHANGE DESCRIPTION	CHANGE NO.	NAME	SPORTSART FITNESS	DRAWN BY	UNITS	MM	SALES BLOW UP DIAGRAM	DIAGRAM NO.	CAR-F101B-C	
2014.10.27	取消 25 26 移至 709		林士文	<p>RESTRICTED USAGE, PLEASE DON'T FORWARD TO ANYONE WHO ISN'T AUTHORIZED</p>		QTY	1	XX		C575R-LED	
2016.01.14	区分TV WAR差异料件	02-20141036M 02-20141036T	林士文		VERIFIED BY	VERSION	C0				MODEL
2017.04.06	取消 707 50	03-20160907T	余志宏		RATIO	1:12					



CHANGE DATE	CHANGE DESCRIPTION	CHANGE NO.	NAME	SPORTSART FITNESS	DRAWN BY	UNITS	MM	SALES BLOW UP DIAGRAM	DIAGRAM NO.	CAR-F101C-B
2017.06.12	▲B1 增加16" 料件(180) J731 J732 及變更電子件號		張又仁	RESTRICTED USAGE , PLEASE DON'T FORWARD TO ANYONE WHO ISN'T AUTHORIZED		QTY	1	XX	MODEL	C575R
2015.03.03	▲A2 754 增加防水蓋, 另補機型碼件號(452); 新增 757		楊淵堯		VERIFIED BY	VERSION	B1			
2015.04.15	▲B0 新增15" 料件		楊淵堯			RATIO	1:14			



CHANGE DATE	CHANGE DESCRIPTION	CHANGE NO.	NAME	SportsArt FITNESS RESTRICTED USAGE , PLEASE DON'T FORWARD TO ANYONE WHO ISN'T AUTHORIZED	DRAWN BY	UNITS	MM	SALES BLOW UP DIAGRAM	DIAGRAM NO.	CAR-F101F-A C575R/G575R MODEL
					VERIFIED BY	QTY	1			
						VERSION	A0			
						RATIO	1/5			