

INSTRUCTIONS FOR USE

# Calypso



## **WARNING**

**To avoid injury, always read this Instructions for Use and accompanied documents before using the product.**



**Mandatory to read the Instructions for Use**

Design Policy and Copyright

® and ™ are trademarks belonging to the Arjo group of companies.

© Arjo 2019.

As our policy is one of continuous improvement, we reserve the right to modify designs without prior notice. The content of this publication may not be copied either whole or in part without the consent of Arjo.

# Contents

---

Foreword .....	4
Intended Use .....	5
Safety Instructions .....	6
Preparations .....	7
Parts Designation .....	8
Product Description/Functions .....	9
Manual Raising and Lowering .....	9
Electric Raising and Lowering .....	9
Hand Rest and Backrest .....	9
Seat .....	9
Seat Cushion .....	10
Castor Brakes .....	10
Emergency Stop .....	10
Emergency High/Low .....	10
Automatic Safety Stop .....	11
Safety Belt .....	11
Accessory Description .....	13
Battery Charger .....	13
Scale (Optional) .....	13
Bedpan and Bedpan Holder (Optional) .....	13
Transfer the Patient .....	14
From Bed .....	14
To Bed .....	16
From Wheelchair .....	17
To Wheelchair .....	18
To Toilet .....	19
Bath the Patient .....	20
Bath the Patient .....	20
Shower the Patient .....	22
Cleaning and Disinfection Instructions .....	24
Battery Instructions .....	27
Troubleshooting .....	28
Care and Preventive Maintenance .....	29
Technical Specifications .....	33
Overall Dimensions .....	35
List of Standards and Certificates .....	37
Labels .....	38
Electromagnetic Compatibility .....	40
Parts and Accessories .....	42

# Foreword

---

## Thank you for purchasing Arjo equipment.

Your Calypso® lift and hygiene chair is part of a series of quality products designed especially for hospitals, nursing homes and other health care use.

We are dedicated to serving your needs and providing the best products available along with training that will bring your staff maximum benefit from every Arjo product.

Please contact us if you have any questions about the operation or maintenance of your Arjo equipment.

## Please read this *Instructions for Use* thoroughly!

Please read this *Instructions for Use (IFU)* in its entirety before using your *Calypso* lift and hygiene chair.

Information in this *IFU* is crucial to the proper operation and maintenance of the equipment, and will help protect your product and ensure that equipment performs to your satisfaction. Some of the information in this *IFU* is important for your safety and must be read and understood to help prevent possible injury. Arjo strongly advise and warn that only Arjo designed parts, which are designed for the purpose, should be used on equipment and other appliances supplied by Arjo, to avoid injuries attributable to the use of inadequate parts.

Unauthorized modifications on any Arjo equipment may affect its safety. Arjo will not be held responsible for any accidents, incidents or lack of performance that occur as a result of any unauthorized modification to its products.

## Serious Incident

If a serious incident occurs in relation to this medical device, affecting the user, or the patient then the user or patient should report the serious incident to the medical device manufacturer or the distributor. In the European Union, the user should also report the serious incident to the Competent Authority in the member state where they are located.

## Service and Support

A service routine must be performed on your *Calypso* lift and hygiene chair every year by Arjo authorized service personnel to ensure the safety and daily operation of your product. See section *Care and Preventive Maintenance on page 29*.

If you require further information, please contact your local Arjo representative who can offer comprehensive

support and service programs to maximize the long-term safety, reliability and value of the product. Contact your local Arjo representative for replacement parts. Your service representative stocks the parts you will need.

The telephone number appears on the last page of this *IFU*.

## Definitions in this *IFU*

### WARNING

Means:

Safety warning. Failure to understand and obey this warning may result in injury to you or to others.

### CAUTION

Means:

Failure to follow these instructions may cause damage to all or parts of the system or equipment.

### NOTE

Means:

This is important information for the correct use of this system or equipment.



Means:

The name and address of the manufacturer.

# Intended Use

---

**This equipment must be used in accordance with these safety instructions. Anyone using the equipment must also have read and understood the instructions in this *Instructions for Use (IFU)*.**

**If there is anything you are not sure about, contact your Arjo representative.**

This equipment is intended for lifting and transporting residents to and from a bathroom in a care facility and to assist with the bathing process. *Calypso* must be used by appropriately trained caregivers with adequate knowledge of the care environment, its common practices and procedures, and in accordance with the guidelines in the *Instructions for Use (IFU)*.

## Resident Assessment

We recommend that facilities establish regular assessment routines. Caregivers should assess each resident according to the following criteria prior to use:

- The resident's weight should not exceed 136 kg/ 300 lbs.
- The resident should be active or semi-active (i.e. able to sit upright self supported on the side of a bed or toilet).
- The resident should understand and respond to instructions to stay seated in an upright position.

If a resident does not meet these criteria an alternative lift must be used.

The expected life time of this equipment, unless otherwise stated, is ten (10) years, subject to preventative maintenance being carried out in accordance with the instructions for care and maintenance found in this *IFU*.

## Lifetime of the Equipment

The equipment must only be used for the purposes stated above.

The lifetime of this equipment is ten (10) years and the service life of the safety belt is two (2) years. Depending on the storage of the battery, the use frequency and the charging intervals, the service life of the battery is 2-5 years.

The lifetime and service life are as stated providing that the preventative maintenance are being carried out in accordance with the instructions for care and maintenance in this *IFU*.

Depending on level of wear some equipment parts such as castors and hand control may need to be replaced during the equipment's lifetime according to information in the *IFU*.

# Safety Instructions

## WARNING

To avoid explosion or fire, never use the equipment in oxygen rich environment, in presence of heat source or flammable anaesthetic gases.

## WARNING

To avoid the device in use from tipping, do not raise or lower other equipment close to it and be aware of stationary object when lowering.

## WARNING

To avoid entrapment, make sure to keep the patients hair, arms and feet close to the body and use designated grab supports during any movement.

## WARNING

To avoid injury, make sure that the patient is not left unattended at any time.

## WARNING

To avoid falling, make sure that the patient is positioned correctly and that the safety belt is being used, properly fastened and tightened.

## WARNING

To avoid the device from tipping and the patient from falling, do not use the equipment on floor with recessed drains, holes or slopes exceeding a ratio of 1:50 (1.15°).

## WARNING

To avoid falling during transfer, always make sure that the brakes are applied on all equipment being used.

## WARNING

To avoid falling, make sure that the patient is positioned in accordance with this IFU.

## WARNING

To avoid falling during patient transfer, always make sure that the brakes on the equipment receiving the patient are applied.

## WARNING

To avoid the patient from falling, always make sure that the device is in the lowest possible position before attempting to transfer, dress or undress the patient.

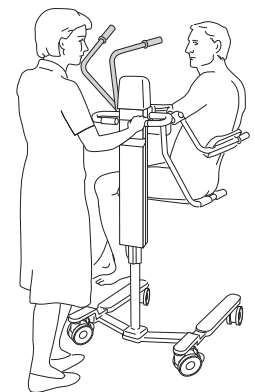
## WARNING

To prevent the patient from falling, make sure the safety belts are undamaged. If damaged, do NOT use the safety belts, replace with new ones before use.

## NOTE

When positioning the Calypso lift and hygiene chair, do not stand in the direction of the movement of the hand rest.

An unexpected movement of the arms upwards by the patient can injure the caregiver.



## When the scale (accessory) is mounted on the Calypso lift and hygiene chair

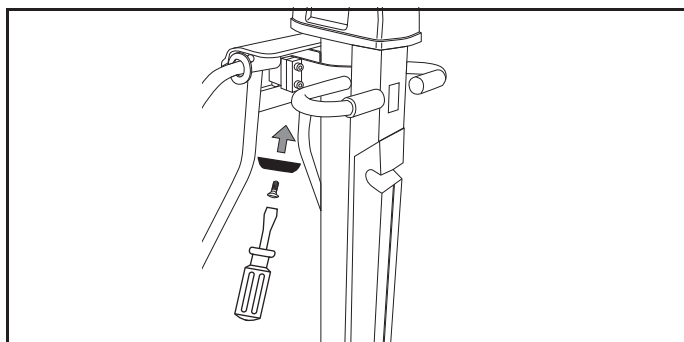
There could be a risk of getting jammed between the scale base and the swivelling castors. Keep this area free.

# Preparations

## Actions Before the First Use

### (9 steps)

- 1 Visually check the package for damage. If the product is suspected to be damaged make a complaint to the delivery agency and contact the *Calypso* lift and hygiene chair product sales office.
- 2 The packaging should be recycled according to local regulations.
- 3 Check that all parts of the product are supplied. Compare with the product description in this *IFU*. If any part is missing or damaged - do NOT use the product!
- 4 Mounting of the enclosed spacer: The spacer that is mounted on the *Calypso* lift and hygiene chair when delivered, is adapted to the depth of Arjo Bath Systems.  
*For deeper baths only:* To get a deeper immersion, remove one of the two mounted spacers on the *Calypso* lift and hygiene chair. Be careful not to damage the surface of the bathtub.



- 5 Unpack the battery charger. See *Battery charger IFU*.
- 6 Charge each battery for 24 hours.
- 7 Disinfect the product according to section *Cleaning and Disinfection Instructions on page 24*.
- 8 Find a dry area with good ventilation for storing the *Calypso* lift and hygiene chair.
- 9 Choose a designated area, where the *IFU* should be kept, accessible at all times for the user.

### NOTE

If you have any questions, please contact your local Arjo representative for support and service. The contact numbers appear on the last page of this *IFU*.

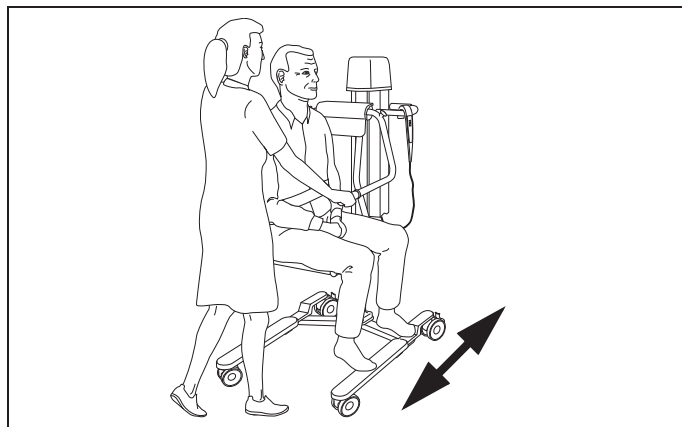
## Actions Before Every Use

### (4 steps)

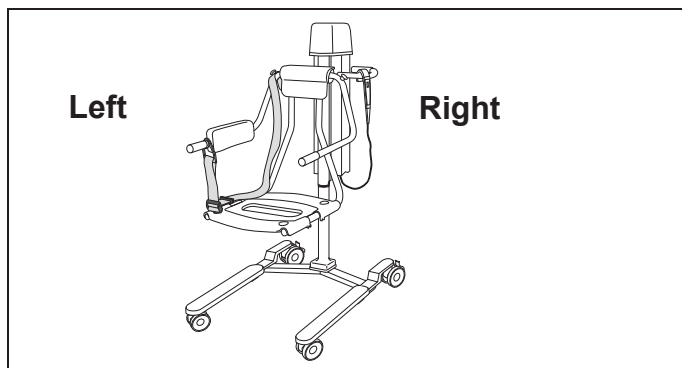
- 1 Check that all parts of the *Calypso* lift and hygiene chair are in place. Compare to page *Part Designations* in this *IFU*.
- 2 If any part is missing or damaged - do NOT use the product.
- 3 **WARNING**  
**To prevent cross-contamination, always follow the disinfection instructions in this *Instructions for Use*.**
- 4 Make sure the battery is charged.

## Calypso Lift and Hygiene Chair Directions

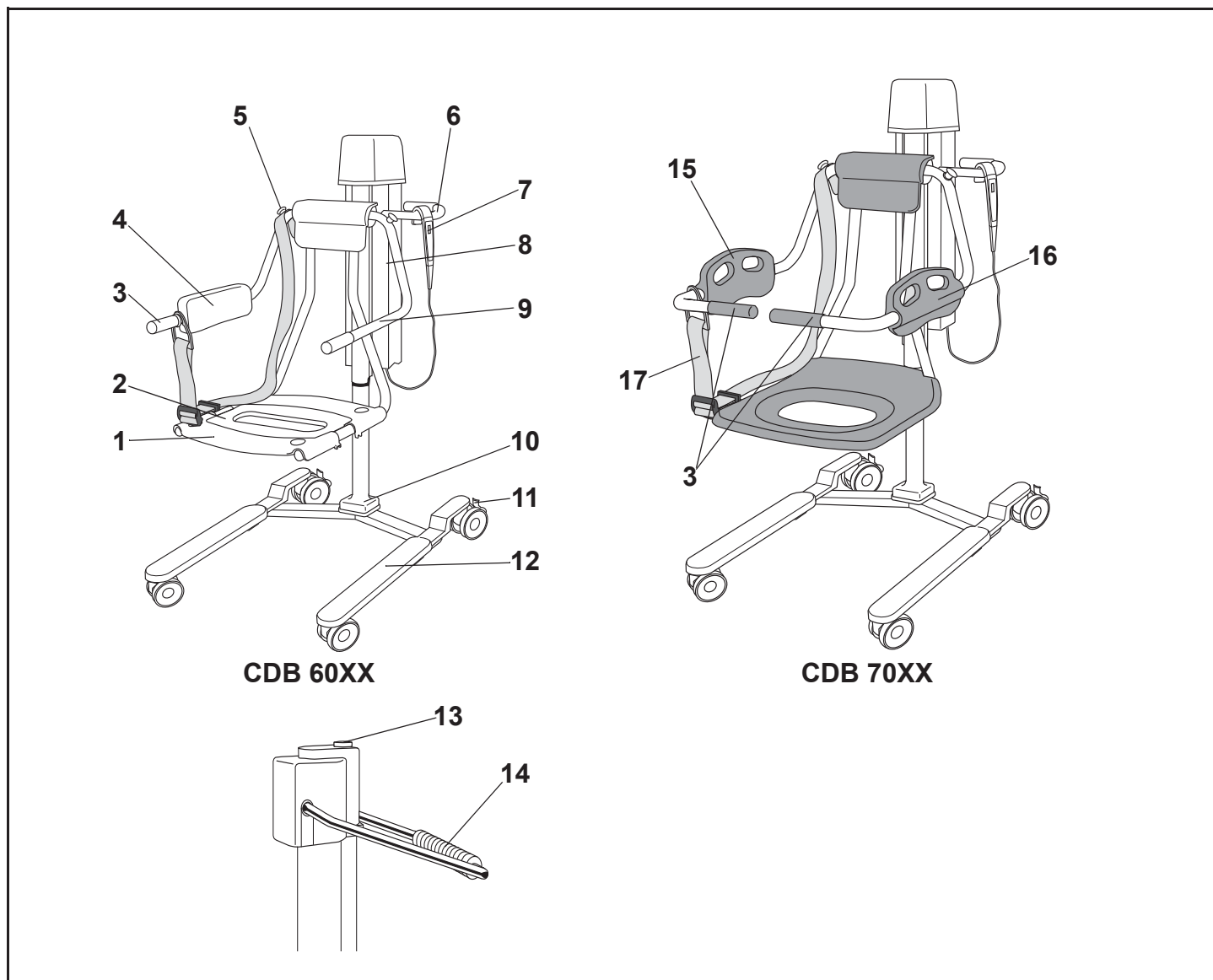
The driving direction during transfer is according to the illustration.




The directions *right* or *left* in this *IFU* are according to the illustration.




# Parts Designation



- 1 Two-part hygiene seat 
- 2 Seat insert
- 3 Transfer handles
- 4 Backrest
- 5 Knob for attachment of safety belt
- 6 Manoeuvring handle
- 7 Hand control (Electrical)
- 8 Battery (Electrical)
- 9 Hand rest
- 10 Pillar
- 11 Castor brake (all four castors)

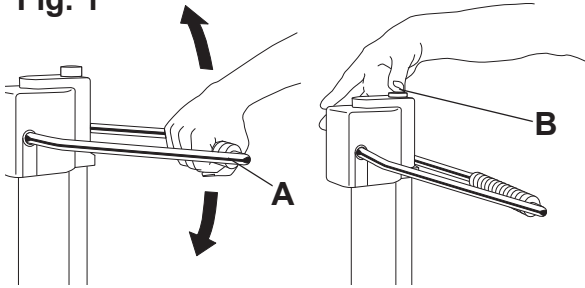
- 12 Foot rest
- 13 Lowering button (Hydraulic)
- 14 Hand pump for raising (Hydraulic)
- 15 Backrest/Hand rest left
- 16 Backrest/Hand rest right
- 17 Safety belts

 Applied part: Type B. Two part hygiene seat including all attached parts to it. Protection against electric shock in accordance with IEC 60601-1.



# Product Description/Functions

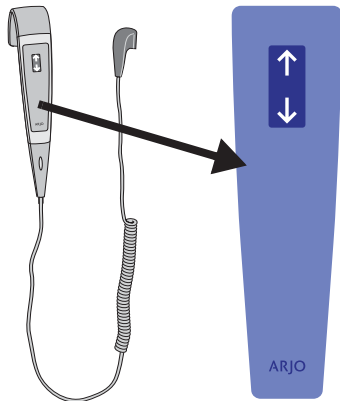
Fig. 1



## Manual Raising and Lowering

- The *Calypso* lift and hygiene chair is raised by using the hand pump (A). Pump evenly, using the full range of movement. (See Fig. 1)
- The *Calypso* lift and hygiene chair is lowered by pressing the lowering button (B). (See Fig. 1)

Fig. 2

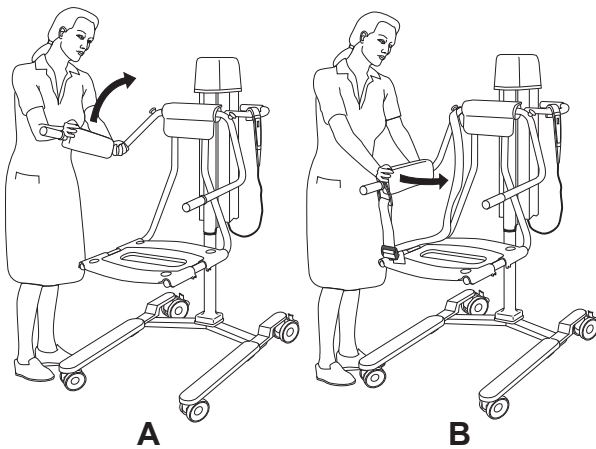


## Electric Raising and Lowering

Unhook the hand control from its holder. (See Fig. 2)

- To raise the *Calypso* lift and hygiene chair, press the “up” arrow button on the hand control.
- To lower the *Calypso* lift and hygiene chair press the “down” arrow button.

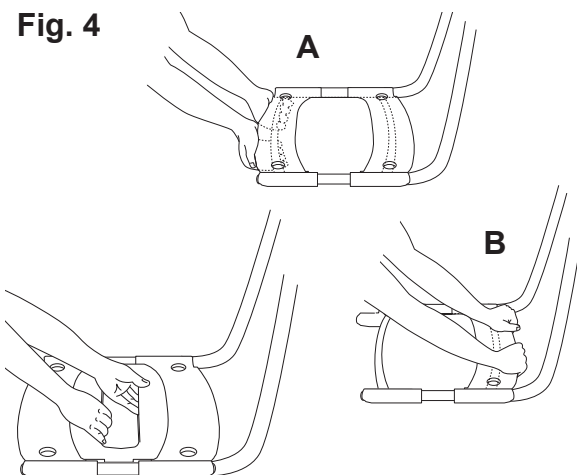
Fig. 3



## Hand Rest and Backrest

- The hand rest and backrest can be folded up (backwards) (A). (See Fig. 3)
- *Only CDB60XX model.*  
The backrest can be used on either side depending on which side the patient will be transferred from. It is detached by pushing at the rim straight out (B). Put it on the actual side and snap it in place. (See Fig. 3)

Fig. 4



## Seat

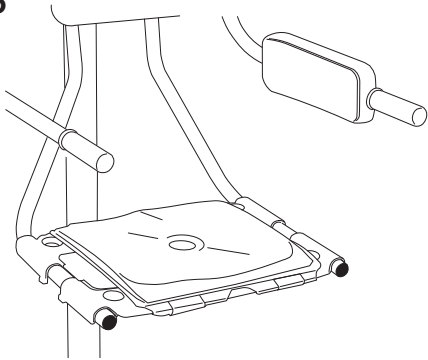
*Only CDB60XX model.*

The seat insert can be taken out by grabbing it the middle and pulling it straight up.

The seat is in two parts:

- The front is pulled out by grabbing the frame underneath and at the same time pressing upwards with the wrists until it comes loose (A). (See Fig. 4)
- The back is pulled out by grabbing the frame on top and pressing upwards with the wrists until it comes loose (B). (See Fig. 4)

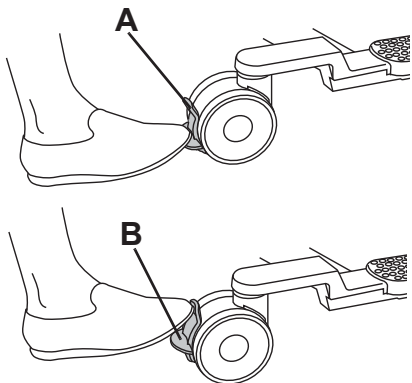
**Fig. 5**



## Seat Cushion

- The seat cushion is only to be used together with the seat insert. First attach one of the strips to the front of the seat. Stretch the seat cushion and attach the other strip to the back of the seat. (See Fig. 5)

**Fig. 6**



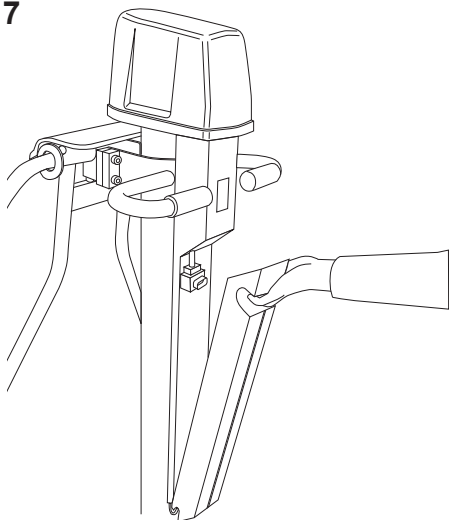
## Castor Brakes

### NOTE

All four wheels have castor brakes that should be applied for maximum stability.

- The castors will brake by pressing down the castor brake lever (A) with your foot. (See Fig. 6)
- The castors are released by pushing up the castor brake lever 0. (See Fig. 6)

**Fig. 7**

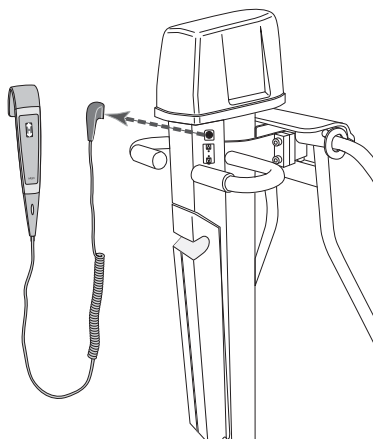


## Emergency Stop

If, for any reason, the *Calypso* lift and hygiene chair does not respond to the control buttons, you can quickly stop the lift movement by pressing the button on the battery and disconnect it. (See Fig. 7)

Contact your local Arjo representative before re-using the *Calypso* lift and hygiene chair.

**Fig. 8**



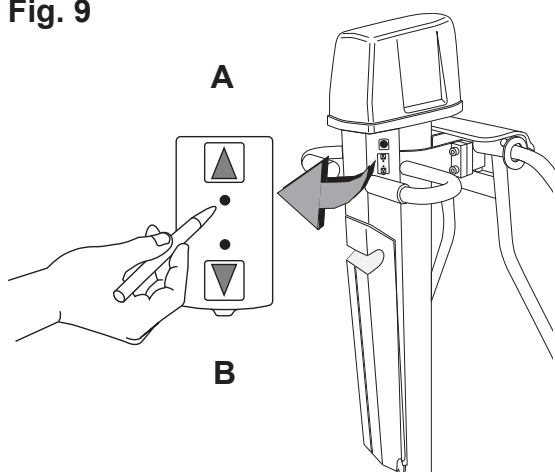
## Emergency High/Low

If, for any reason, the *Calypso* lift and hygiene chair does not respond to the control buttons, raise or lower the *Calypso* lift and hygiene chair by using the Emergency High/Low.

- 1 Unplug the hand control. (See Fig. 8)

*Continue with the steps on the next page.*

Fig. 9



- 2 Check the *Calypso* lift and hygiene chair by pressing a blunt, thin object into the holes at the panel. (i.e. a pen). (See Fig. 9)

#### CAUTION

Do not use a sharp tipped object to press into the holes.

- Press the object into the hole next to the “up arrow” in order to raise the *Calypso* lift and hygiene chair (A).
- Press the object into the hole next to the “down arrow” in order to lower the *Calypso* lift and hygiene chair (B).

#### NOTE

A continuous beeping sound is heard during the “up” and “down” action movement.

Contact your local Arjo representative before re-using the *Calypso* lift and hygiene chair.

### Automatic Safety Stop

To prevent getting pinches between the *Calypso* lift and hygiene chair and an object, the *Calypso* lift and hygiene chair is equipped with an automatic safety stop feature. The *Calypso* lift and hygiene chair automatically stops when lowered onto a fixed object.

### Safety Belt

The safety belt should be used all the time when the patient is being moved.

#### WARNING

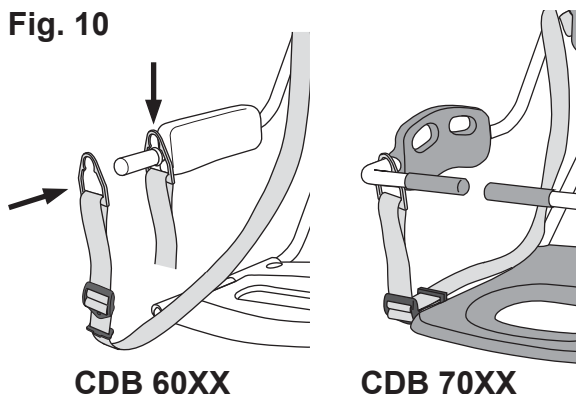
To avoid entrapment, make sure to keep the patients hair, arms and feet close to the body and use designated grab supports during any movement.

### Fasten Patient by the Safety Belt (10 steps)

#### Attach the safety belt

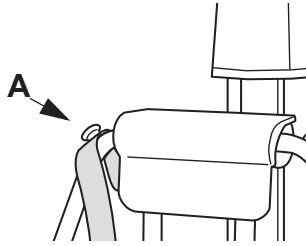
- 1 Attach the safety belt to the transfer handle, and lock it by pressing the safety belt clip downwards. (See Fig. 10)
- 2 Fold up the hand rest.
- 3 Position the patient on the seat and fold down the hand rest.
- 4 Place the patient’s hands on the hand rest.

Fig. 10



*Continue with the steps on the next page.*

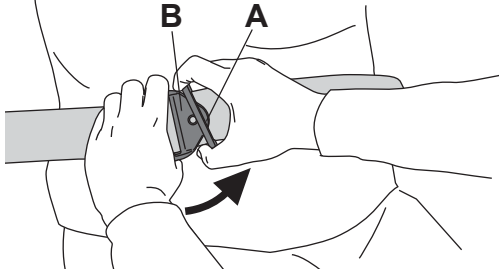
Fig. 11



- Place the safety belt in front of the patient and fasten the other end of the safety belt to the knob (A). (See Fig. 11)

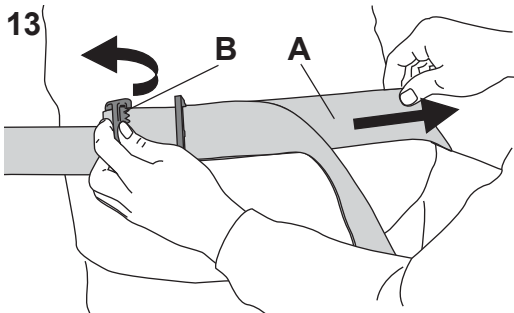
**Adjust the safety belt**

Fig. 12



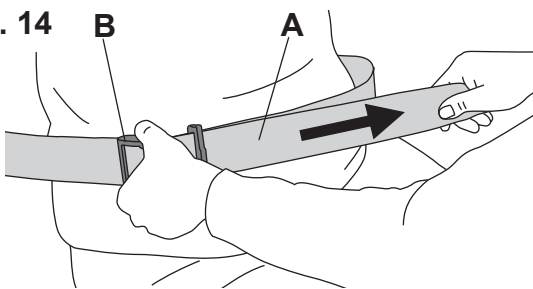
- Pull the fastening clips (A) and (B) apart by twisting the smaller fastening clip (A) slightly upwards. (See Fig. 12)

Fig. 13



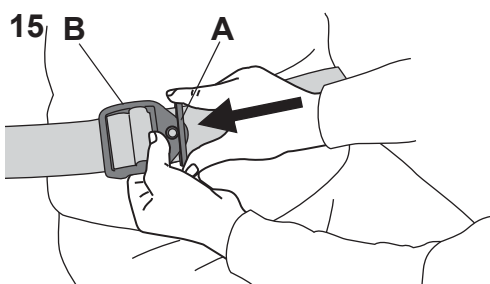
- Loosen the safety belt by pulling the inner strap (A) at the side and at the same time lifting the larger fastening clip (B). (See Fig. 13)

Fig. 14



- Tighten the safety belt by pulling the outer strap (A) at the side and at the same time holding the larger fastening clip (B). (See Fig. 14)
- Make sure that the safety belt is firmly attached to the patient's body.

Fig. 15



- Lock the fastening clips by inserting the smaller fastening clip (A) into the larger fastening clip (B). (See Fig. 15)

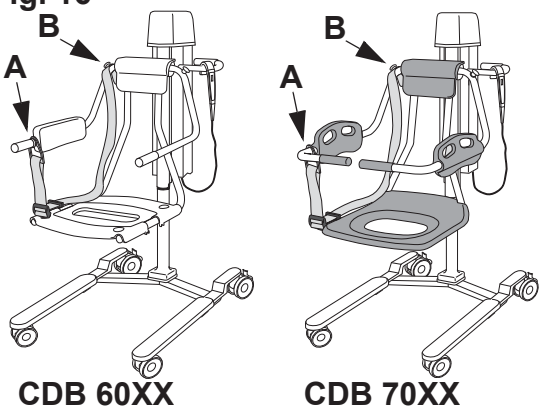
**Remove the safety belt from patient**

Loosen the safety belt and remove one of the ends from either the transfer handle (A) or the knob (B). (See Fig. 16)

**When the safety belt is not in use**

Attached the safety belt to both the transfer handle (A) and the knob (B) when the *Calypso* lift and hygiene chair is not in use. (See Fig. 16)

Fig. 16

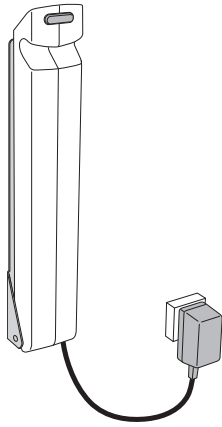


CDB 60XX

CDB 70XX

# Accessory Description

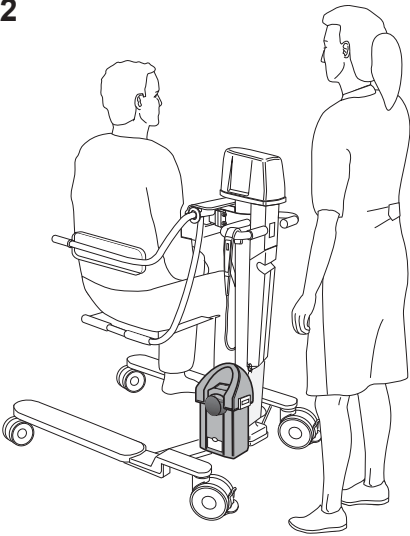
Fig. 1



## Battery Charger

See *Battery Charger IFU*. (See Fig. 1)

Fig. 2

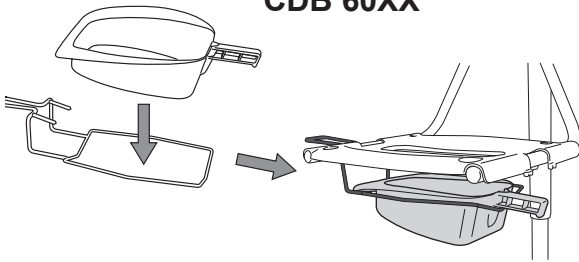


## Scale (Optional)

See *Foot scale IFU*. (See Fig. 2)

Fig. 3

**CDB 60XX**



## Bedpan and Bedpan Holder (Optional)

A bedpan holder can be mounted under the seat.

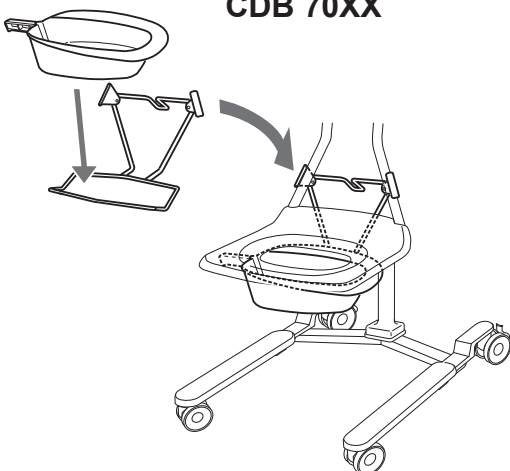
Assemble. (See Fig. 3-4)

### **WARNING**

To avoid entrapment or pinching of genitals, make sure there is enough clearance during movement over the tub edge, toilet, bedpan or other furniture.

Fig. 4

**CDB 70XX**



# Transfer the Patient

Fig. 1

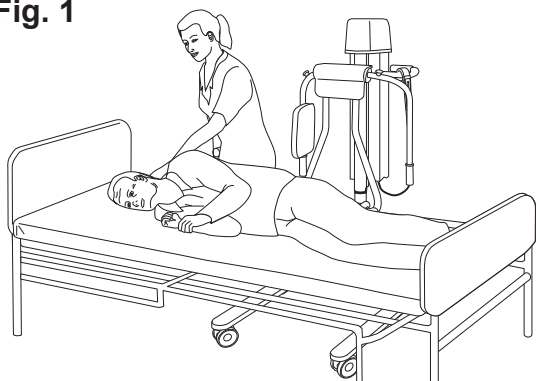


Fig. 2

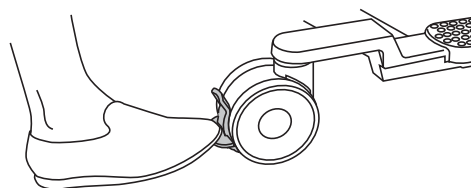


Fig. 3

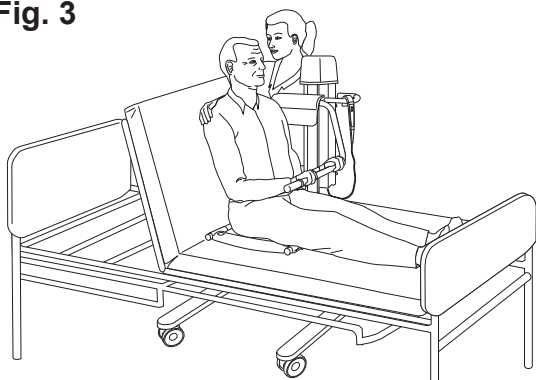
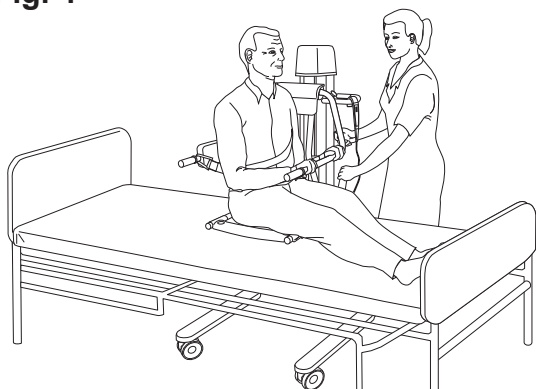


Fig. 4



## From Bed

### (19 steps)

- 1 Apply the wheel brakes on the bed, if applicable.
- 2 Fold down the bed rail and turn the patient onto his/her side away from the *Calypso* lift and hygiene chair. (See Fig. 1)
- 3 Fold up the hand rest and backrest. Position the seat over the bed as close to the patient as possible and so that the patient will be sitting on the back part of the seat, when lifted.
- 4 Lower the seat so that it is pressed against the bed. (See Fig. 1)
- 5 Apply the brakes on all castors. (See Fig. 2)
- 6 Turn the patient on his/her back and make sure he/she is lying in the correct position on the seat.
- 7 Help the patient to sit upright, either manually or by raising the head end of the bed. (See Fig. 3)
- 8 Fold down the hand rest in front of the patient. The patient should keep his/her hands on the hand rest. (See Fig. 3)
- 9 Lean the patient forward and fold down the backrest behind the patient. (See Fig. 4)

### 10 **WARNING**

**To avoid falling, make sure that the patient is positioned correctly and that the safety belt is being used, properly fastened and tightened.**

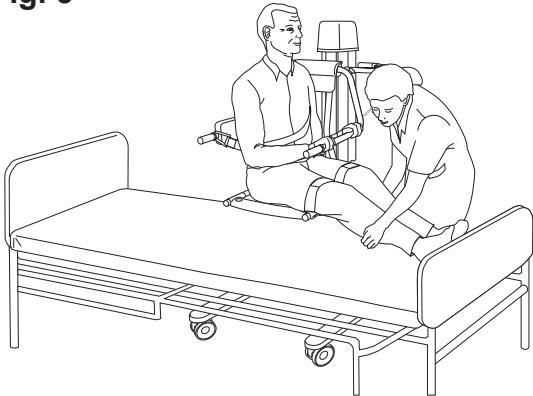
Make sure the patient is in an upright position in the centre of the seat with his or her:

- buttocks at the back of the seat,
- back against the backrest and
- hands on the hand rest.

- 11 Fasten the safety belt over the patient's chest. (See Fig. 4)

*Continue with the steps on the next page.*

**Fig. 5**



- 12 Raise the *Calypso* lift and hygiene chair's seat enough to move it away from the bed.
- 13 Release the castor brakes.
- 14 Pull the *Calypso* lift and hygiene chair away from the bed while helping the patient with lifting down his/her legs. **(See Fig. 5)**
- 15 Make sure the *Calypso* lift and hygiene chair is completely clear from the bed and any other devices.

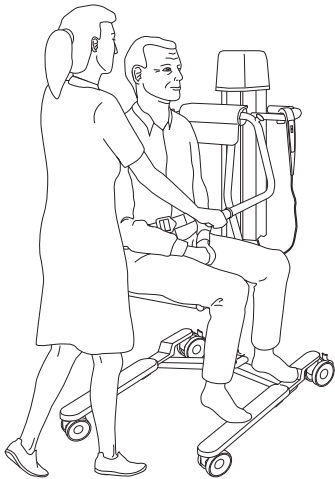
### **WARNING**

**To avoid entrapment, make sure to keep the patient's hair, arms and feet close to the body and use designated grab supports during any movement.**

### **WARNING**

**To avoid injury, make sure that the patient is not left unattended at any time.**

**Fig. 6**



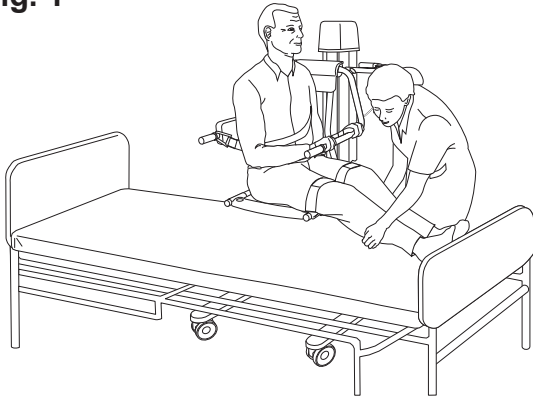
- 16 Lower the *Calypso* lift and hygiene chair to a height in which the patient can put the feet on the foot rests.
- 17 The patient should keep his/her hands on the hand rest.
- 18 Always use the transfer handles during the transfer. **(See Fig. 6)**
- 19 After transferring the patient, always ensure he/she is in a correct sitting position.

## To Bed (20 steps)

### WARNING

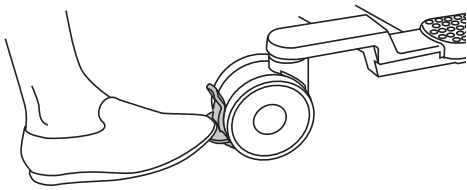
To avoid falling during transfer, always make sure that the brakes are applied on all equipment being used.

Fig. 1



- 1 Apply the wheel brakes on the bed, if applicable.
- 2 Fold down the bed rail.
- 3 If the *Calypso* lift and hygiene chair comes from a bath: place a towel on the bed to avoid making the bed wet.
- 4 Adjust the *Calypso* lift and hygiene chair height so its seat and the patient's genitals are at a safe distance from the bed.
- 5 Move the *Calypso* lift and hygiene chair in over the bed while helping the patient lifting up his/her legs onto the bed. (See Fig. 1)
- 6 Apply the brakes on all castors. (See Fig. 2) .

Fig. 2



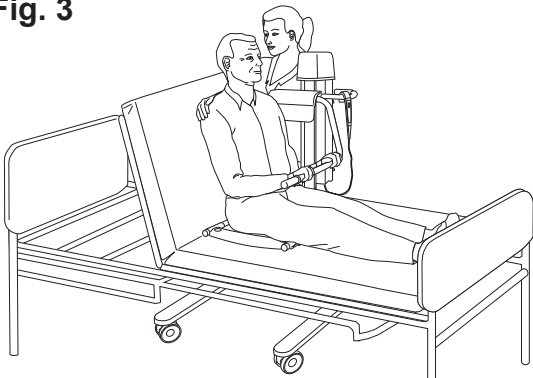
7

### WARNING

To avoid entrapment or pinching of genitals, make sure there is enough clearance during movement over the bathtub edge, toilet, bedpan or other furniture.

Lower the *Calypso* lift and hygiene chair so that its seat gets pressed firmly onto the bed. Make sure no body parts get pinched between the seat and the bed.

Fig. 3

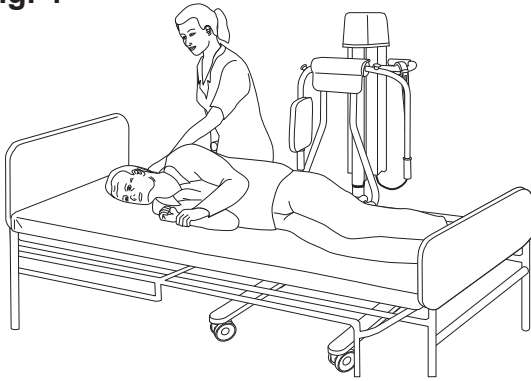


- 8 If needed, raise the head end of the bed to support the patient's back. (See Fig. 3)
- 9 Remove the safety belt from the patient.
- 10 Lean the patient forward and place the patient's hands on the hand rest.
- 11 Fold up the backrest.
- 12 Assist the patient to lean back against the bed.
- 13 Fold up the hand rest.

*Continue with the steps on the next page.*

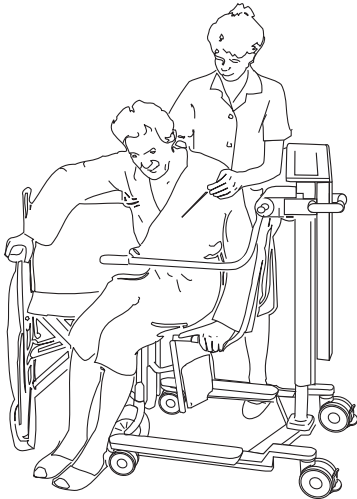


**Fig. 4**



- 14 If the head end of the bed has been raised, lower it back down.
- 15 Lay the patient down with his/her back on the bed. Turn the patient so he/she lays on the side facing away from the *Calypso* lift and hygiene chair. **(See Fig. 4)**
- 16 Raise the *Calypso* lift and hygiene chair seat to separate it from the bed.
- 17 Release the castor brakes.
- 18 Pull the *Calypso* lift and hygiene chair away from the bed.
- 19 Turn the patient so he/she lays on the back.
- 20 Fold up the bed rail.

**Fig. 1**

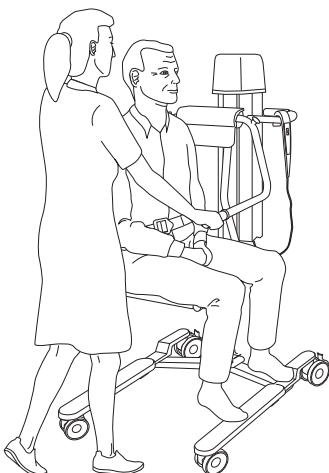


### **From Wheelchair (9 steps)**

For the patient to be able to move from a wheelchair **(See Fig. 1)**, he/she must be strong enough to move sideways and/or be able to stand up.

- 1 Apply the brakes on all castors of the wheelchair.
- 2 Remove the wheelchair armrest and fold up the wheelchair foot rests.
- 3 Position the *Calypso* lift and hygiene chair right beside the wheelchair.
- 4 Adjust the *Calypso* lift and hygiene chair so its seat is at the same level or slightly higher than the wheelchair seat. If the wheelchair design allows it, the seat of the *Calypso* lift and hygiene chair can slightly overlap the wheelchair seat.
- 5 Apply the brakes on all castors of the *Calypso* lift and hygiene chair.
- 6 Tell the patient to move to the *Calypso* lift and hygiene chair and assist him/her if needed. **(See Fig. 1)**
- 7 Fasten the safety belt according to section *Hand Rest and Backrest* on page 9.
- 8 Make sure the patient has the feet on the foot rests and the hands on the hand rest.
- 9 During transfer with the *Calypso* lift and hygiene chair, always hold the transfer handles. Make sure the patient has the feet on the foot rests and the hands on the hand rest. **(See Fig. 2)**

**Fig. 2**



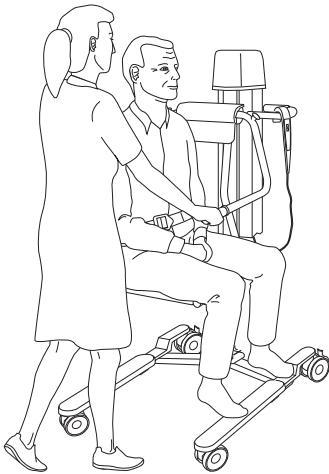
## To Wheelchair (12 steps)

For the patient to be able to move from a wheelchair he/she must be strong enough to move sideways and/or be able to stand up.

### WARNING

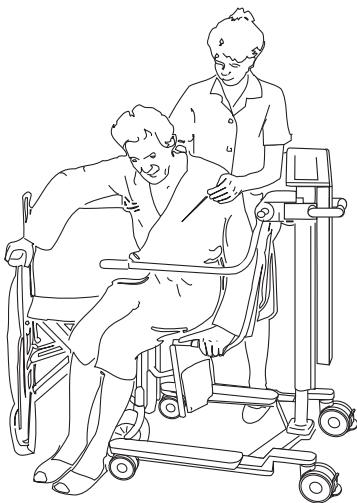
**To avoid falling during transfer, always make sure that the brakes are applied on all equipment being used.**

**Fig. 1**



- 1 During transfer with the *Calypso* lift and hygiene chair, always hold the transfer handles.
- 2 Make sure the patient has the feet on the foot rests and the hands on the hand rest. **(See Fig. 1)**
- 3 Apply the brakes on all castors of the wheelchair.
- 4 Remove the wheelchair armrest and fold up the wheelchair foot rests.
- 5 Position the *Calypso* lift and hygiene chair right beside the wheelchair.
- 6 Adjust the *Calypso* lift and hygiene chair so its seat is at the same level or slightly higher than the wheelchair seat. If the wheelchair design allows it: the seat of the *Calypso* lift and hygiene chair can slightly overlap the wheelchair seat.
- 7 Apply the brakes on all castors of the *Calypso* lift and hygiene chair.
- 8 Remove the safety belt according to section *Hand Rest and Backrest* on page 9.
- 9 Make sure the patient has the feet on the foot rests and the hands on the hand rest.
- 10 Tell the patient to move to the wheelchair and assist him/her if needed. **(See Fig. 2)**
- 11 Reassemble the wheelchair armrest and fold down the wheelchair foot rests.
- 12 Make sure the patient sits comfortably and safely.

**Fig. 2**



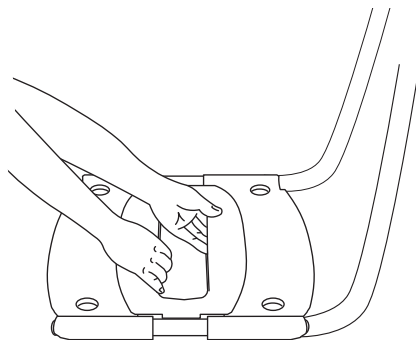
## To Toilet

### (3 steps)

The *Calypso* lift and hygiene chair can be used regardless of whether the toilet is attached to the floor or to the wall.

- 1 *Only CDB6000 model:* Remove the seat cushion and then the seat insert before the patient is transferred to the *Calypso* lift and hygiene chair. **(See Fig. 1)**
- 2 Place the *Calypso* lift and hygiene chair right over the toilet seat. Lower the *Calypso* lift and hygiene chair seat and apply the brakes.
- 3 An useful accessories is the bedpan with holder, in the case of transferring incontinent patients.

**Fig. 1**



# Bath the Patient

## Bath the Patient (9 steps)

First read the separate instructions for your bathing equipment.

### WARNING

To avoid the device in use from tipping, do not raise or lower other equipment close to it and be aware of stationary object when lowering.

### WARNING

To avoid entrapment, make sure to keep the patient's hair, arms and feet close to the body and use designated grab supports during any movement.

### WARNING

To avoid falling, make sure that the patient is positioned correctly and that the safety belt is being used, properly fastened and tightened.

### WARNING

To avoid injury, make sure that the patient is not left unattended at any time.

- 1 Undress the patient.

### 2 WARNING

To avoid entrapment, make sure to keep the patient's hair, arms and feet close to the body and use designated grab supports during any movement.

Place the *Calypso* lift and hygiene chair in right angle close to the legs of the bathtub. Raise the *Calypso* lift and hygiene chair to clear the edge of the bathtub and move the patient in over the bathtub. Help the patient move his/her feet over the edge. (See Fig. 1)

- 3 Apply the brakes on all castors.
- 4 Raise the bathtub to a comfortable height, if it is adjustable. (See Fig. 2)

*Continue with the steps on the next page.*

Fig. 1

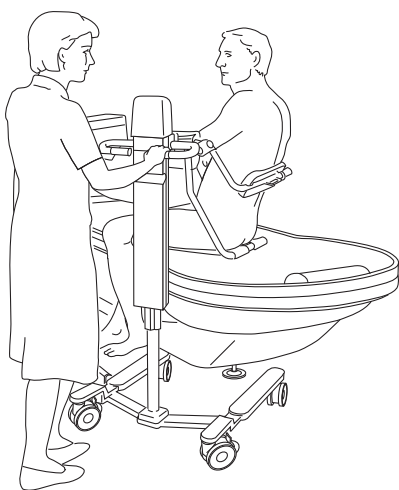
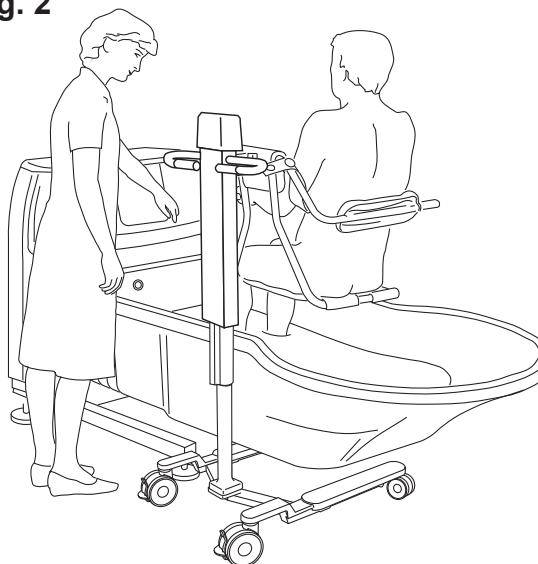


Fig. 2



**Fig. 3**



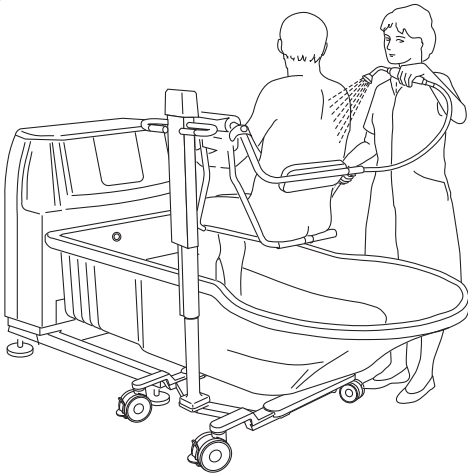
5 **WARNING**

**To avoid entrapment of the patient's or caregiver's legs or feet, make sure that they are kept clear of all obstacles.**

Lower the *Calypso* lift and hygiene chair seat so that it rests against the bottom of the bathtub. (See Fig. 3)

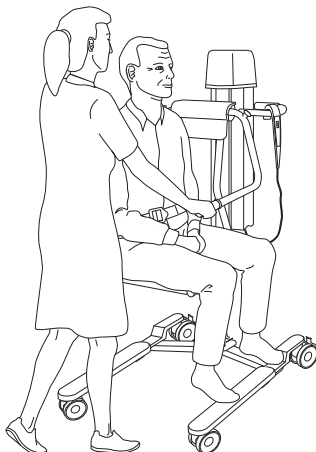
- 6 Remove the safety belt over the chest.
- 7 Pull the hand rest forward/up and lay the patient down with the backrest slightly back.
- 8 Bath the patient.

**Fig. 4**



- 9 After bathing, let the bath water out and fold the hand rest forward/downward and sit the patient up. Fold the backrest forward/downward and fasten the safety belt over the chest. Lower the bathtub, so that the *Calypso* lift and hygiene chair is above the water and give the patient a shower. (See Fig. 4)

**Fig. 5**



- 10 After drying, cover or dress the patient to keep him/her warm. Release the castors and return the patient to his/her room. (See Fig. 5)

# Shower the Patient

## Showering the Patient

(12 steps)

First read the separate instructions for Prelude Shower cabinet.

### WARNING

To avoid falling, make sure that the patient is positioned correctly and that the safety belt is being used, properly fastened and tightened.

### WARNING

To avoid injury, make sure that the patient is not left unattended at any time.

### WARNING

To avoid entrapment, make sure to keep the patient's hair, arms and feet close to the body and use designated grab supports during any movement.

### WARNING

To avoid the device in use from tipping, do not raise or lower other equipment close to it and be aware of stationary object when lowering.

- 1 Remove the cabinet's splash guard.
- 2 Position the *Calypso* lift and hygiene chair in front of the cabinet with patient's back towards the cabinet's front.

### 3 WARNING

To avoid entrapment or pinching of genitals, make sure there is enough clearance during movement over the tub edge, toilet, bedpan or other furniture.

Raise the *Calypso* lift and hygiene chair and push it carefully as far as possible into the shower cabinet. (See Fig. 1)

- 4 Apply the brakes on all castors and lower the patient to a comfortable working height then fold the hand rest backwards. (See Fig. 2)

*Continue with the steps on the next page.*

Fig. 1

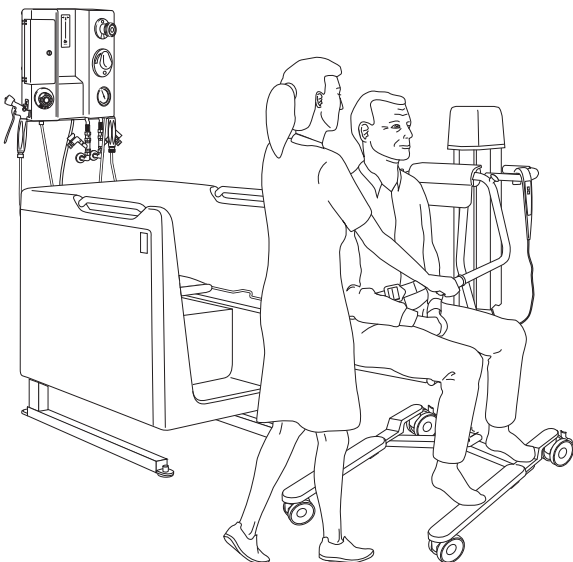
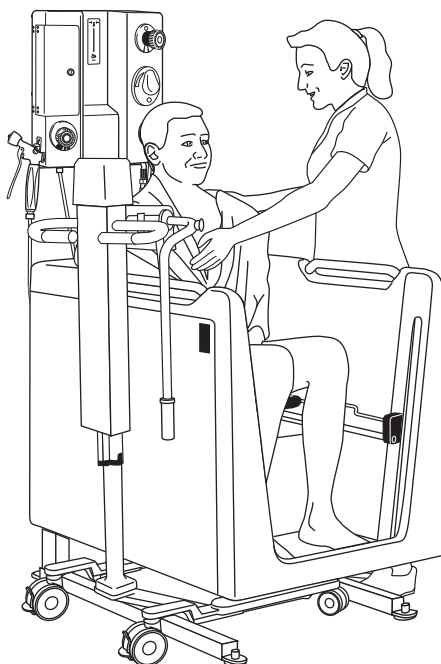
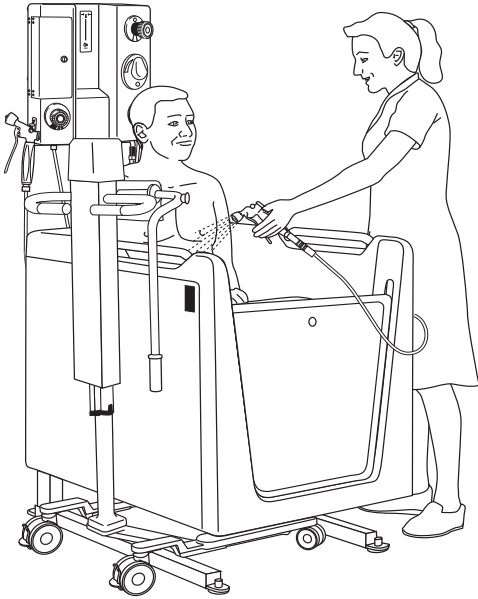


Fig. 2



**Fig. 3**



- 5 Loosen the safety belt and undress the patient then fasten the safety belt again.
- 6 Put in the splash guard. (See Fig. 3)

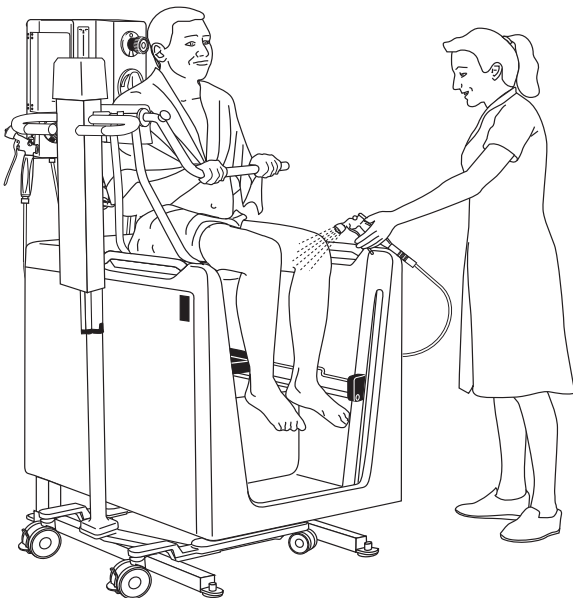
7 **WARNING**

**To prevent scalding, always check the water temperature with your naked hand before directing the water on the patient. Do not use gloves as it may insulate to the extent that the water temperature can be misjudged. Point the flow of the water away from the patient.**

Set the controls, then shower and shampoo the patient from his/her head downwards.

- 8 Adjust the height of the chair for easy access during showering.
- 9 Place a towel around the patient's shoulders after having washed and rinsed the upper body.
- 10 Remove the splash guard to have easy access to legs and feet. (See Fig. 4)
- 11 Fold the hand rest and the backrest forward/downward. Fasten the safety belt over the chest.
- 12 After drying, unlock the castors and return the patient to his/her room.

**Fig. 4**



# Cleaning and Disinfection Instructions

---

## Only use Arjo Branded Disinfectants

If you have any questions regarding disinfecting the equipment, or wish to order disinfectant, contact Arjo Customer Service.

The following procedure should be carried out after every use and at the end of the day.

### WARNING



To avoid eye and skin damage, always use protective glasses and gloves. If contact occurs rinse with plenty of water. If eyes or skin becomes irritated, contact a physician. Always read the IFU and the Material Safety Data Sheet (MSDS) of the disinfectant.

### WARNING

To prevent cross-contamination, always follow the disinfection instructions in this IFU.

### WARNING

To avoid eye or skin irritation, never disinfect in the presence of a patient.

### WARNING

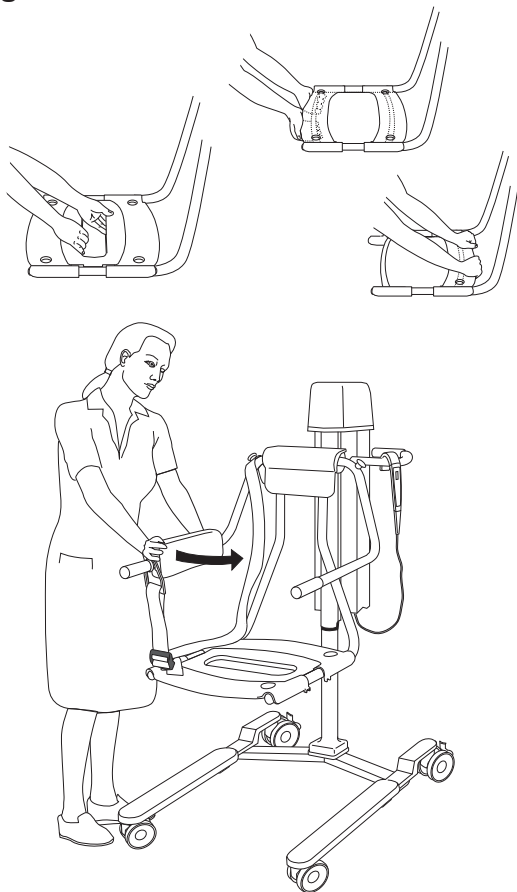
To avoid material damage and injury, clean and disinfect according to this IFU. No other chemicals are allowed. Never clean with chlorine. Chlorine will deteriorate the surface of the material.

## Accessories for Disinfecting the Calypso Lift and Hygiene Chair

- Protective gloves
- Protective glasses
- Spray bottle (if integrated disinfection system is not available)
- Cloth
- Disinfectant
- Towel



**Fig. 1**



## **Always Follow these 17 Steps for Cleaning and Disinfection**

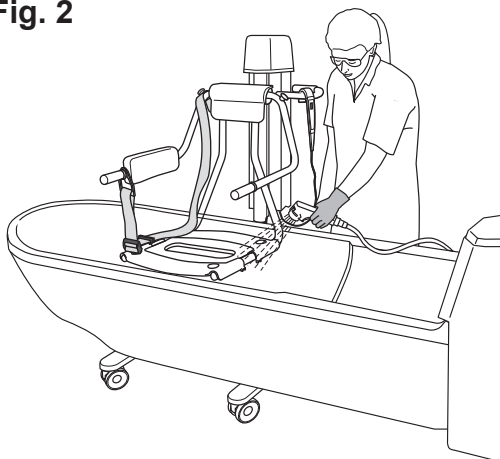
### **Removing visual residue (step 1-3 of 17)**

- 1 Remove the seat insert, the two seat parts (only CDB6000 model), the backrest and the safety belt (if applicable) and place them at the bottom of the bathtub. **(See Fig. 1)**
- 2 Move the *Calypso* lift and hygiene chair over the bathtub and lower it down.
- 3 Clean:
  - the upper part of the *Calypso* lift and hygiene chair (start from top and move downwards)
  - all removed partsfrom visible residue with a cloth soaked in water. Alternatively shower with water using a brush and/or wipe with a cloth.

### **Cleaning (step 4-11 of 17)**

- 4 Put on protective gloves and glasses.
- 5 Most Arjo baths are equipped with a spray handle for disinfecting purposes. Read the bath system instructions on how to use the disinfectant. Check the level of the disinfectant.
- 6 If you do not have the integrated disinfection equipment, you can use a spray bottle containing disinfectant mixed according to the printed instructions on the disinfectant bottle.
- 7 Spray disinfectant on **(See Fig. 2)**:
  - the upper part of the *Calypso* lift and hygiene chair
  - all removed partsUse a brush soaked in disinfectant and scrub thoroughly, especially on handles, hand control and on the underside of the *Calypso* lift and hygiene chair.
- 8 Shower with water (approx. 25 °C (77 °F)) or spray with plenty of water and wipe off with a clean cloth to remove all disinfectant.
- 9 Soak a cloth in disinfectant and wipe all other areas of the *Calypso* lift and hygiene chair, such as chassis.

**Fig. 2**



*Continue with the steps on the next page.*

- 10 Wet a new cloth with water and remove all traces of disinfectant from all other areas of the *Calypso* lift and hygiene chair. The cloth should occasionally be rinsed in running water when removing disinfectant.
- 11 If all disinfectant cannot be removed, spray water on the affected part and wipe off with disposable towels. Repeat until all disinfectant has been removed.

### Disinfection (step 12-17 of 17)

12 Spray disinfectant on:

- the upper part of the *Calypso* lift and hygiene chair
- all removed parts

13 Soak a cloth in disinfectant and wipe all other areas of the *Calypso* lift and hygiene chair, such as chassis.

14 Allow a disinfection time according to the instructions on the disinfectant bottle label.

15 Spray or shower water (approx. 25 °C (77 °F)) and wipe with a clean cloth to remove all traces of the disinfectant on:

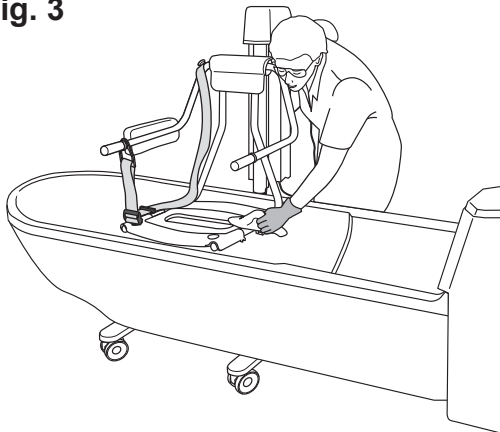
- the upper part of the *Calypso* lift and hygiene chair
- all removed parts
- all other areas of the *Calypso* lift and hygiene chair, such as chassis

The cloth should occasionally be rinsed in running water during removal of disinfectant. **(See Fig. 3)**

16 If all disinfectant cannot be removed, spray water on the affected part and wipe off with disposable towels. Repeat until all disinfectant has been removed.

17 Let all parts dry.

**Fig. 3**



# Battery Instructions

---

## WARNING

To avoid bodily injury, do NOT crush, puncture, open, dismantle or otherwise mechanically interfere with the battery.

- Should the battery casing crack and cause contents to come in contact with skin or clothing, rinse immediately with plenty of water.
- If contents come in contact with the eyes, rinse immediately with plenty of water and seek medical attention.

Inhalation of the contents can cause respiratory irritation. Provide fresh air and medical attention.

- Be careful not to drop the battery.
- Contact the appropriate local authority for advice when disposing of batteries.
- Check label on the battery.

## Low Charge Warning

- If the battery needs charging a buzzing tone is heard when the lift is activated. At this time, there will be enough battery power to complete the immediate task.

## Storage of Battery

- The battery is delivered charged but we recommend you to recharge the battery when received due to a slow self discharge.
- The battery will slowly self discharge when not used.
- A battery in storage and transport and should be in a temperature range of -0 °C to +30 °C (32 °F to 86 °F), cooler temperatures will extend its service life.
- For maximum battery performance do not store the battery above 50 °C (122 °F).

## Installation of Charger

See *NDA-X200 Battery Charger IFU*.

## How to Change the Battery

See *NDA-X200 Battery Charger IFU*.

# Troubleshooting

PROBLEM	ACTION
The the <i>Calypso</i> lift and hygiene chair continues to raise or descend after the hand control button is released.	Activate the red emergency stop button and pull the battery out - remove the patient from the <i>Calypso</i> lift and hygiene chair and contact qualified personnel.
The the <i>Calypso</i> lift and hygiene chair does not raise or descend when the hand control button is pressed.	<div style="border: 1px solid black; padding: 5px; margin-bottom: 10px;"> <p><b>WARNING</b></p> <p><b>Do not leave the patient unattended while doing this!</b></p> </div> <ol style="list-style-type: none"> <li>1 Make sure that the battery is fully engaged in the battery compartment.</li> <li>2 Make sure that the hand control connection plug is properly engaged in the socket.</li> <li>3 Make sure that the battery is charged.</li> <li>4 Use the emergency lowering to descend the patient. Remove the patient from the <i>Calypso</i> lift and hygiene chair and contact qualified personnel.</li> </ol>
The the <i>Calypso</i> lift and hygiene chair is hard to manoeuvre during the transfer.	<ol style="list-style-type: none"> <li>1 Make sure all brakes are released.</li> <li>2 Make sure all castors roles and turns freely. If not, remove the patient from the <i>Calypso</i> lift and hygiene chair and contact qualified personnel.</li> </ol>
The the <i>Calypso</i> lift and hygiene chair is making abnormal sounds during lifting or transfer.	Remove the patient from the <i>Calypso</i> lift and hygiene chair and contact qualified personnel.
The the <i>Calypso</i> lift and hygiene chair beeps shortly once every minute when not operated.	Contact qualified personnel.
It is only possible to lower the <i>Calypso</i> lift and hygiene chair.	The lifting device of this equipment is equipped with a safety nut. If the safety nut will be activated it will only be possible to lower the equipment into a safe position. In case of this scenario stop using the equipment and contact qualified personnel for repair of the equipment.

# Care and Preventive Maintenance

The *Calypso* lift and hygiene chair is subject to wear and tear, and the following actions must be performed when specified to ensure that the product remains within its original manufacturing specification.

## WARNING

To avoid malfunction resulting in injury, make sure to conduct regular inspections and follow the recommended maintenance schedule. In some cases due to heavy use of the product and exposure to aggressive environment more frequent inspections should be carried out. Local regulations and standards may be more stringent than the recommended maintenance schedule.

## NOTE

Product cannot be maintained and serviced while in use with the patient

## PREVENTIVE MAINTENANCE SCHEDULE Calypso lift and hygiene chair

CAREGIVER OBLIGATIONS Action/Check	Every DAY	Every WEEK	Every 2nd YEAR
Disinfect	X		
Visually check all exposed parts		X	
Visually check mechanical attachments		X	
Visually check the safety belt		X	
Check hand control and cable		X	
Check/clean castors		X	
Check brake function and brake pads		X	
Check seat cushion (Not for PUR version)		X	
Visually check battery charger and battery		X	
Perform a functionality test		X	
Replace safety belt			X

## WARNING

To avoid injury to both the patient and the caregiver, never modify the equipment or use incompatible parts.

## Caregiver Obligations

Caregiver obligations shall be carried out by personnel with sufficient the *Calypso* lift and hygiene chair knowledge following the instructions in this *IFU*.

### Every day

- **Disinfect:**  
The *Calypso* lift and hygiene chair has to be disinfected immediately after every use. Arjo disinfectants and shampoos should be used in **recommended concentrations labelled on the disinfectant bottle**. See section *Cleaning and Disinfection Instructions* on page 24.

### Every week

- **Visually check all exposed parts:**  
Examine the *Calypso* lift and hygiene chair for damage. Check that there are no sharp edges or parts coming in contact with patients.
- **Visually check mechanical attachments:**  
Check the mechanical attachments by placing a foot on the chassis and pull the seat upwards with both hands. No gaps are allowed. Check the hydraulic system that it is working smoothly (raising and lowering). Check all screws are tightened. (See Fig. 1)
- **Visually check the safety belt:**  
Check the complete length for fraying, cuts, crack, tears, that no inner fabric is showing and that no other damage is visible. If the safety belt is found damaged, replace it. (See Fig. 2)
- **Visually check all exposed parts:**  
especially where personal contact is made by either the patient or caregiver. Make sure no cracks, sharp edges or unhygienic areas that could cause the patient or user injury. Replace damaged parts.

Fig. 1

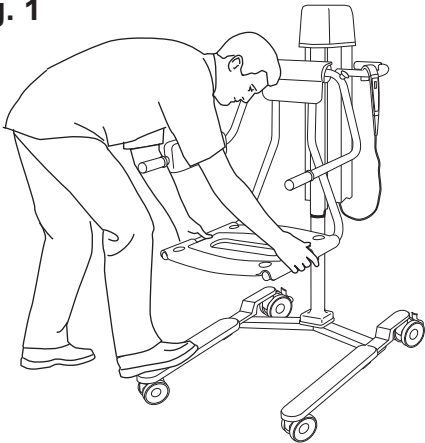
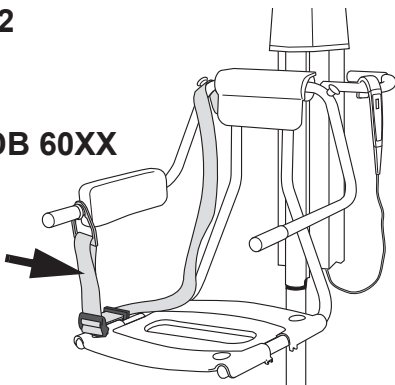
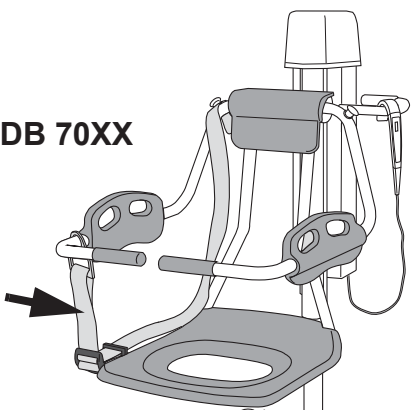


Fig. 2

CDB 60XX

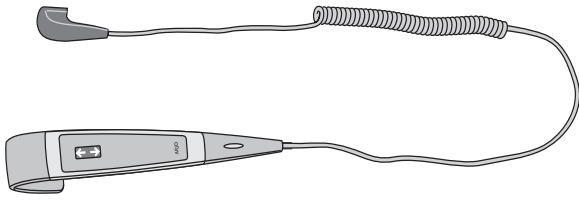


CDB 70XX



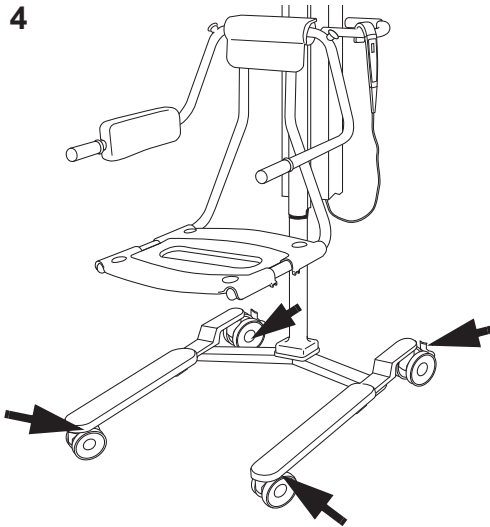
*Continue with the steps on the next page.*

**Fig. 3**



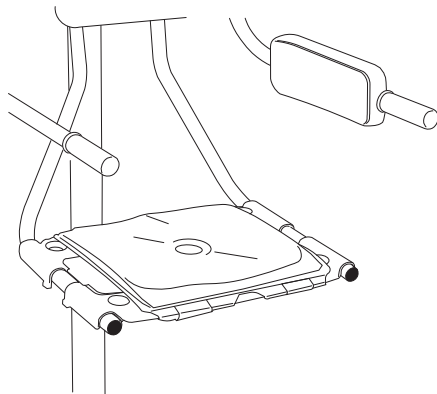
- **Check hand control and cable:**  
Visually check the condition of the hand control and its cable. If found cut or damaged, replace. Electric version. (See Fig. 3)

**Fig. 4**



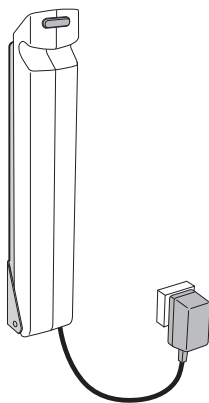
- **Check and clean the castors:**  
Make sure the castors are properly fixed and are rolling and swivelling freely. Clean with water. (the function can be affected by soap, hair, dust and chemicals from floor cleaning). (See Fig. 4)
- **Check brake function and brake pads:**  
Check by activating the brakes and try to move the *Calypso* lift and hygiene chair. Make sure the *Calypso* lift and hygiene chair does not move once the brakes are applied. (See Fig. 4)

**Fig. 5**



- **Check the cushion:**  
Make sure the cushion has no cracks or tears that would allow water to get into the filling. If there is such damage, replace damaged parts CDB6000. (See Fig. 5)

**Fig. 6**



- **Visually check the battery and the battery charger:**  
Check the cable condition as well. Withdraw and replace immediately if damaged. Electric version. (See Fig. 6)
- **Perform functionality test:**  
Test up/down motion by pressing up/down.  
Test emergency High/Low

### **Yearly**

The *Calypso* lift and hygiene chair has to be serviced according to the table *QUALIFIED PERSONNEL Action/Check on page 32*.

## WARNING

To avoid injury and/or unsafe product, the maintenance activities must be carried out at the correct frequency by qualified personnel using correct tools, parts and knowledge of procedure. Qualified personnel must have documented training in maintenance of this device.

QUALIFIED PERSONNEL Action/Check	Every YEAR
Lubricate inner profile	X
Check the safety stop function	X
Perform a safe working load test, (local requirements)	X
Check all vital parts for corrosion/damage	X
Perform full feature functionality test	X
Check mechanical attachments	X
Check oil level (Hydraulic)	X
Check that the latest updates have been implemented	X
Check scale calibration (if attached and not verified)	X
Check battery charger and battery	X
Inspect castors	X
Check emergency Hi/Low function	X
Check batteries for scale	X
Check function of emergency stop	X


## NOTE

All checkpoints in the table *CAREGIVER OBLIGATIONS Action/Check on page 29* are to be checked when performing the checkpoints in the table *QUALIFIED PERSONNEL Action/Check on page 32*.



# Technical Specifications

<b>Calypso lift and hygiene chair, model CDB 60XX (Hydraulic)</b>	
Safe Working Load (SWL)§ (Maximum patient weight)	136 kg (300 lbs)
Maximum weight of lift (lift + scale)	47 kg (103 lbs)
Maximum total weight of lift (lift + patient)	183 kg (403 lbs)

<b>Calypso lift and hygiene chair, model CDB 60XX, CDB 70XX (Electric)</b>	
Safe Working Load (SWL) (Maximum patient weight)	136 kg (300 lbs)
Medical equipment	type 
Power Source	Battery NDA0100, 24 V
Battery charger	NDA 1200-EU, NDA 2200-GB, NDA 4200-US, NDA 6200-AU, NDA 8200-INT
Protection class	IP X4
Fuse	F1 F10AL 250 V
Insulation Class	Class II Equipment
Sound level	< 65 dBA
Mode of operation	ED maximum 10%; Maximum 1 minute ON; Minimum 9 minutes OFF
Maximum weight of lift CDB 60XX (lift + scale)	56 kg (122 lbs)
Maximum total weight of lift CDB 60XX (lift + patient)	192 kg (422 lbs)
Maximum weight of lift CDB 70XX (lift + scale)	60 kg (131 lbs)
Maximum total weight of lift CDB 70XX (lift + patient)	196 kg (431 lbs)
Degree of fire protection	In accordance with standard EN ISO 60601-1

<b>Arjo Foot scale CFA1000-03</b>	
See Foot scale <i>IFU</i> for technical specifications	

<b>General</b>	
Battery Weight	4.4 kg (9.7 lbs)
Sound Level	68 dBA

<b>Operating force</b>	
Push Buttons (Hand Control)	<5 N
Emergency Stop	20 N
Brakes	105 N
Levers	70 N

<b>Transport, storage and operation (Applies to all Calypso lift and hygiene chair models except the chargers)</b>	
Ambient temperature range	-20 °C to +70 °C (-4 °F to +158 °F) Transport -20 °C to +70 °C (-4 °F to + 158 °F) Storage +10 °C to +40 °C (+50 °F to +104 °F) Operation
Relative humidity range	10% - 80% Transport and storage 15% - 100% Operation
Atmospheric pressure range	500 - 1100 hPa Transport 500 - 1100 hPa Storage 800 - 1060 hPa Operation

<b>Allowed combinations</b>	
The <i>Calypso</i> lift and hygiene chair integrates with the following products:	Arjo equipment: System 2000 Century Prelude
	Generic hospital beds with minimum bed to floor clearance 150 mm.
	Generic wheelchairs, non-electrical.
	Generic toilets with standard height.
No other combinations are allowed.	

<b>Environmental</b>	
Pollution degree	2

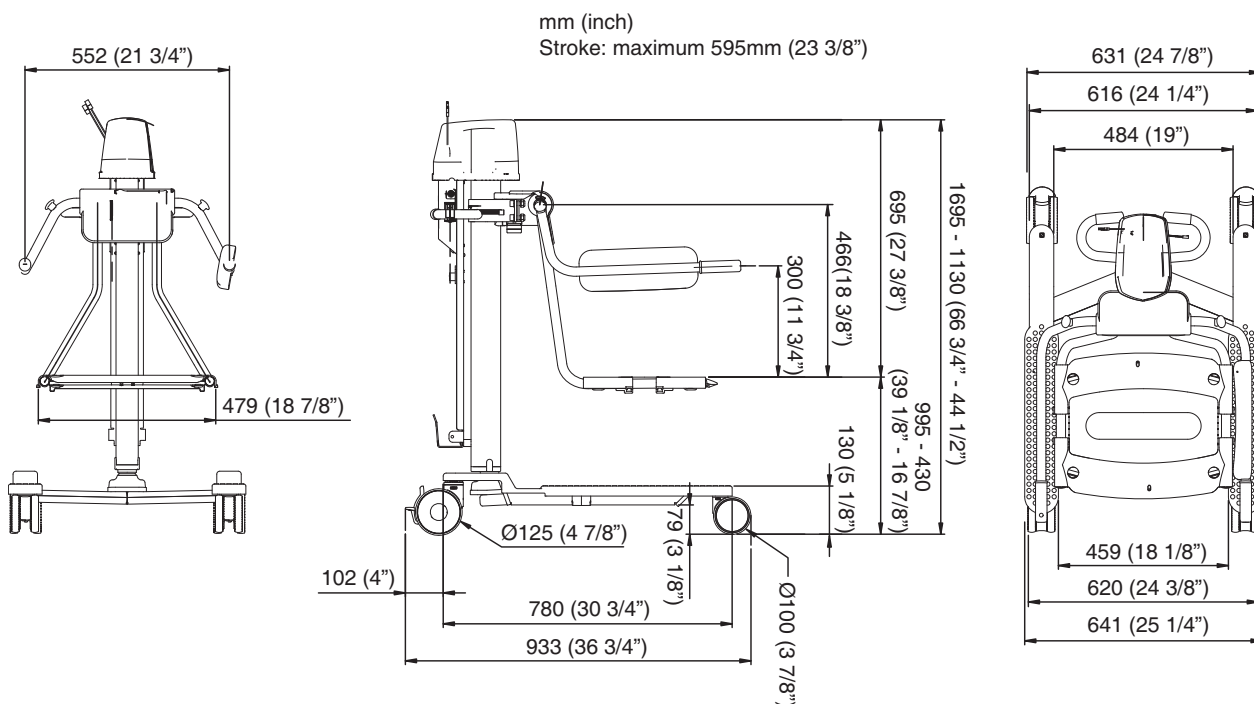
<b>End of Life Disposal</b>	
<ul style="list-style-type: none"> <li>All batteries in the product must be recycled separately. Batteries are to be disposed in accordance with national or local regulations.</li> <li>Slings including stiffeners/stabilizers, padding material, any other textiles or polymers or plastic materials etc. should be sorted as combustible waste.</li> <li>Lift systems having electrical and electronic components or an electrical cord should be disassembled and recycled per Waste of Electrical and Electronic Equipment (WEEE) or in accordance with local or national regulation.</li> <li>Components that are primarily made up of different kinds of metal (containing more than 90% metal by weight) for example sling bars, rails, upright supports, etc., should be recycled as metals.</li> </ul>	

<b>Recycling</b>	
Package	Wood and corrugated cardboard, recyclable

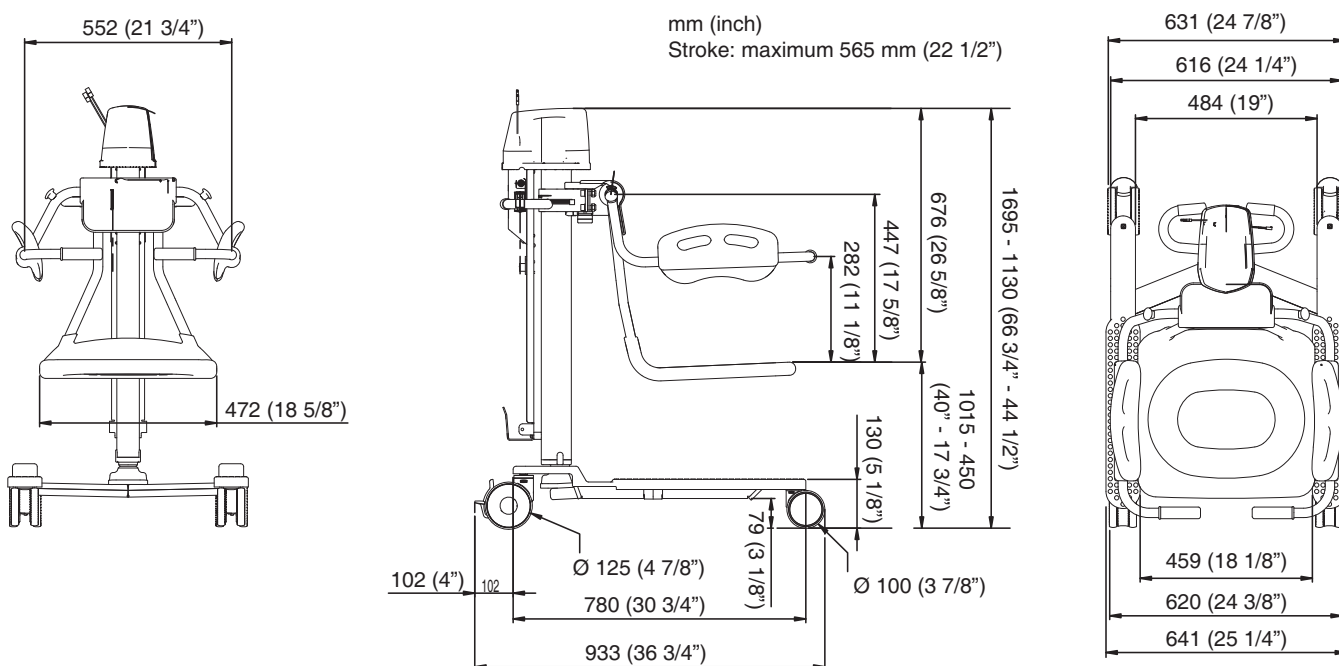
# Overall Dimensions

## Calypso Classic/Pur

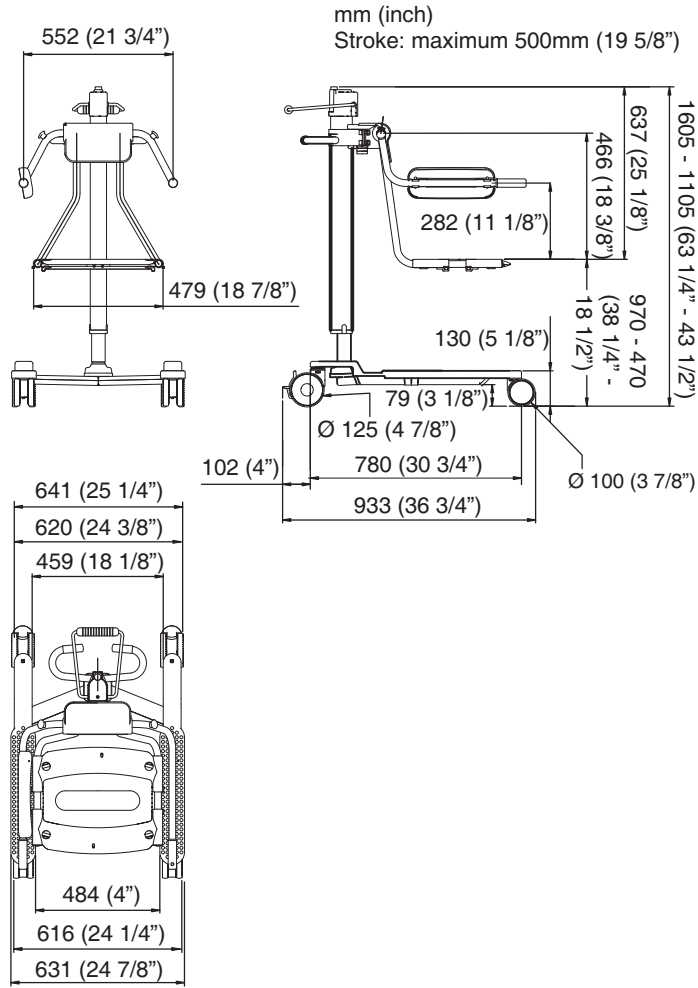
### Classic



### Pur



# Calypso Hydraulic



# List of Standards and Certificates

---


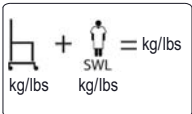

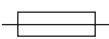

<b>STANDARD/CERTIFICATE</b>	<b>DESCRIPTION</b>
EN/IEC 60601-1:2005 AMD1:2012	Medical Electrical Equipment - Part 1: General Requirements for Basic Safety and Essential Performance
ANSI/AAMI ES60601-1 (2005) AMD 1 (2012)	Medical Electrical Equipment - Part 1: General Requirements for Basic Safety and Essential Performance
CAN/CSA-C22.2 No. 60601-1:14	Medical Electrical Equipment - Part 1: General Requirements for Basic Safety and Essential Performance
ISO 10535:2006	Hoists for the transfer of disabled persons -- Requirements and test methods










# Labels

## Label explanation

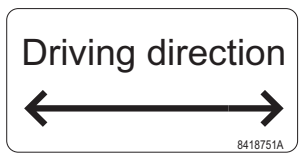
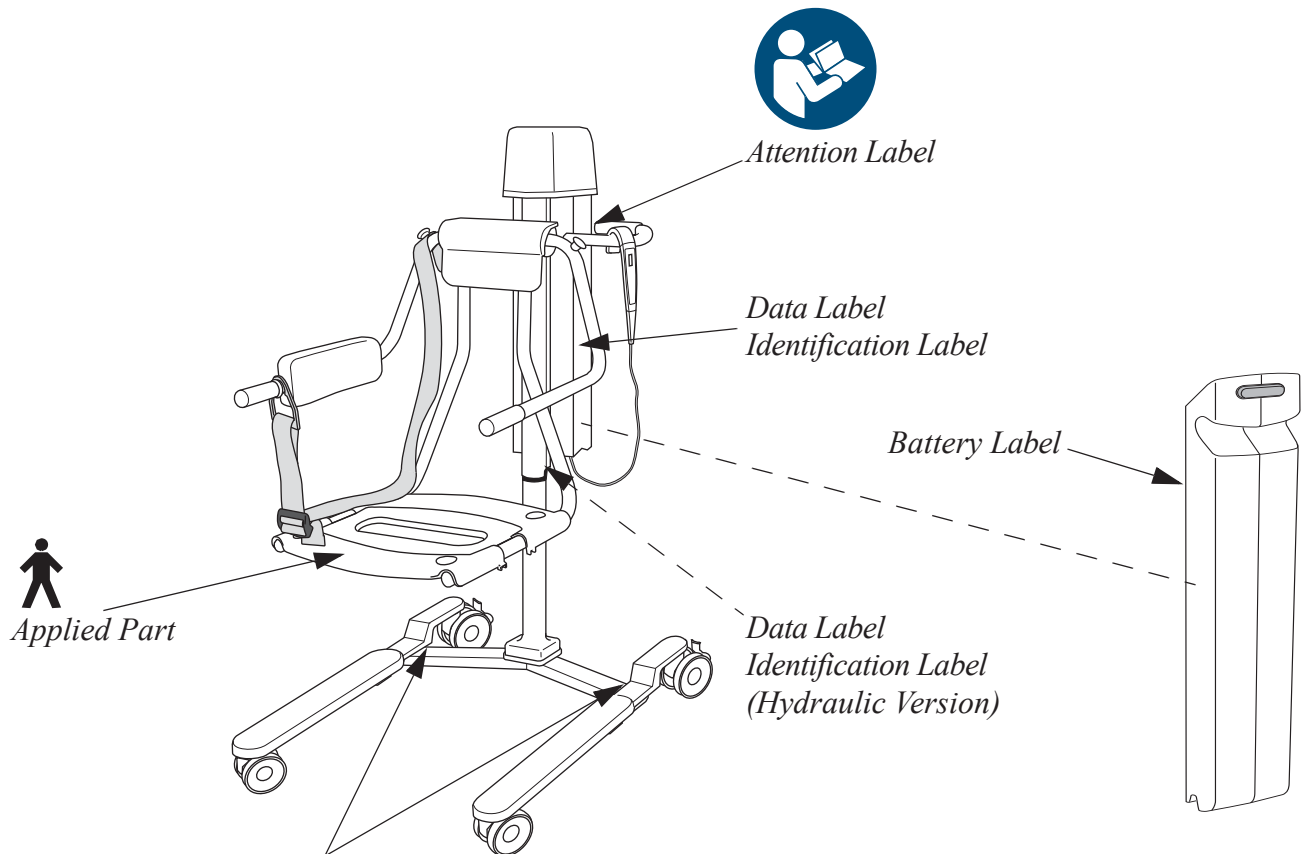
Attention Label	Important user information for correct use.
Battery Label	States safety and environmental information for the battery.
Data Label	States technical performance and requirements, e.g. Input Power, Input Voltage and maximum Patient Weight etc.
Identification Label	States the product identification, serial number and year and month of manufacturing.

## Symbol explanation

	Type B, Applied part: protection against electrical shock in accordance with IEC 60601-1.
SWL	Safe Working Load
	Total mass of equipment including its safe working load.
	Lifting stroke
24V DC	Supply voltage
MAX: 150 VA	Maximum power
	Fuse F1 - F10AL 250V
IP X4	Degree of protection (i.e. the product is protected against splashing water)
NDA0100-XX	Product no. of the battery
1 min on / 9 min off	Mode of operation for Hi/Lo function: Maximum 1 minutes ON; Minimum 9 minutes OFF
	Read the <i>IFU</i> before use

	Separate electrical and electronic components for recycling in accordance with the European Directive 2012/19/EU (WEEE)
	A battery is the power source of this equipment.
	Environmental danger - contains lead. Not for disposal.
	Recyclable
	CE marking indicating conformity with European Community harmonised legislation Figures indicate Notified Body supervision.
	Indicates the product is a Medical Device according to EU Medical Device Regulation 2017/745
	Classified by Underwriters Laboratories Inc. with respect to electrical shock, fire, mechanical, hazards and other specified hazards only in accordance with the Approvals and List of Standards.
	Name and address of the manufacturer
	Manufacturing date

**Model CDB 60XX, (Electrical) is shown**



*Attention label*

# Electromagnetic Compatibility (EMC)

---

Product has been tested for compliance with current regulatory standards regarding its capacity to block EMI (electromagnetic interference) from external sources.

Some procedures can help reduce electromagnetic interferences:

- Use only Arjo cables and spare parts to avoid increased emissions or decreased immunity which can compromise the correct functioning of the equipment.
- Ensure that other devices in patient-monitoring and/or life-support areas comply to accepted emissions standards.

## **WARNING**

**Wireless communications equipment such as wireless computer network devices, mobile phones, cordless telephones and their base stations, walkie-talkies, etc. can affect this equipment and should be kept at least 1.5 m away from the equipment.**

Intended Environment: Professional Healthcare Facility Environment


Exceptions: HF Surgical Equipment and the RF Shielded room of an ME SYSTEM for magnetic resonance imaging

## **WARNING**

**Use of this equipment adjacent to or stacked with other equipment should be avoided because it could result in improper operation. If such use is necessary, this equipment and the other equipment should be observed to verify that they are operating normally.**

<b>Guidance and manufacturer's declaration – electromagnetic emission</b>		
<b>Emission test</b>	<b>Compliance</b>	<b>Guidance</b>
RF emissions CISPR 11	Group 1	This equipment uses RF energy only for its internal functions. Therefore its RF emissions are very low and are not likely to cause any interference in nearby electronic equipment.
RF emissions CISPR 11	Class B	This equipment is suitable for use in all establishments, including domestic establishments and those directly connected to the public low voltage power supply network that supplies buildings used for domestic purposes.



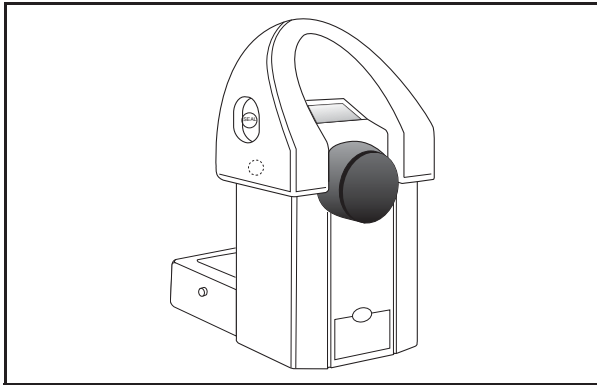
<b>Guidance and manufacturer's declaration – electromagnetic immunity</b>			
<b>Immunity test</b>	<b>IEC 60601-1-2 test level</b>	<b>Compliance level</b>	<b>Electromagnetic environment – guidance</b>
Electrostatic discharge (ESD) EN 61000-4-2	±2kV, ±4kV, ±8kV, ±15kV air  ±8kV contact	±2kV, ±4kV, ±8kV, ±15kV air  ±8kV contact	Floors should be wood, concrete or ceramic tile. If floors are covered with synthetic material, the relative humidity should be at least 30%.
Conducted disturbances induced by RF fields EN 61000-4-6	3V in 0,15 MHz to 80 MHz  6V in ISM and amateur radio bands between 0,15 MHz and 80 MHz  80% AM at 1 kHz	3V in 0,15 MHz to 80 MHz  6V in ISM and amateur radio bands between 0,15 MHz and 80 MHz  80% AM at 1 kHz	Portable and mobile RF communications equipment should be used no closer to any part of the product, including cables, than 1.0 m, if the transmitter's output power rating exceeds 1W <sup>a</sup> . Field strengths from fixed RF transmitters, as determined by an electromagnetic site survey, should be less than the compliance level in each frequency range <sup>b</sup> .  Interference may occur in the vicinity of equipment marked with this symbol:  
Radiated RF electromagnetic field EN 61000-4-3	Professional Healthcare environment 3 V/m 80 MHz to 2,7 GHz 80% AM at 1 kHz	Professional Healthcare environment 3 V/m 80 MHz to 2,7 GHz 80% AM at 1 kHz	
Proximity fields from RF wireless communications equipment EN 61000-4-3	385 MHz - 27 V/m  450 MHz - 28 V/m 710, 745, 780 MHz - 9V/m 810, 870, 930 MHz - 28 V/m 1720, 1845, 1970, 2450 MHz - 28 V/m 5240,5500, 5785 MHz - 9V/m	385 MHz - 27 V/m  450 MHz - 28 V/m 710, 745, 780 MHz - 9V/m 810, 870, 930 MHz - 28 V/m 1720, 1845, 1970, 2450 MHz - 28 V/m 5240,5500, 5785 MHz - 9V/m	
Electrical fast transient/burst EN 61000-4-4	±1kV SIP/SOP ports  100 kHz repetition frequency	±1kV SIP/SOP ports  100 kHz repetition frequency	
Power frequency Magnetic field EN 61000-4-8	30 A/m  50 Hz or 60 Hz	30 A/m  50 Hz	Power frequency magnetic fields should be at levels characteristic of a typical location in a typical commercial or hospital environment.

<sup>a</sup> Field strengths from fixed transmitters, such as base stations for radio (cellular/cordless) telephones and land mobile radios, amateur radio, AM and FM radio broadcast and TV broadcast cannot be predicted theoretically with accuracy. To assess the electromagnetic environment due to fixed RF transmitters, an electromagnetic site survey should be considered. If the measured field strength in the location in which the product is used exceeds the applicable RF compliance level above, the product should be observed to verify normal operation. If abnormal performance is observed, additional measures may be necessary.

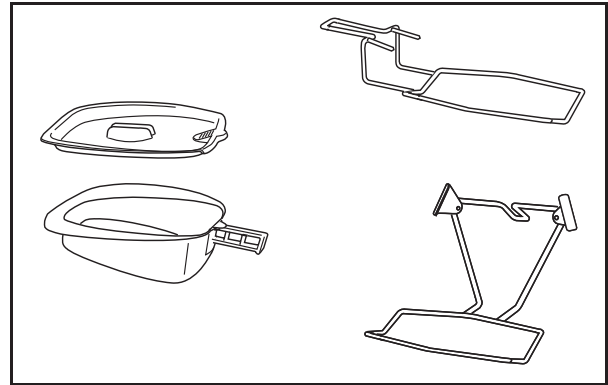
<sup>b</sup> Over the frequency range 150 kHz to 80 MHz, field strengths should be less than 1 V/m.

# Parts and Accessories

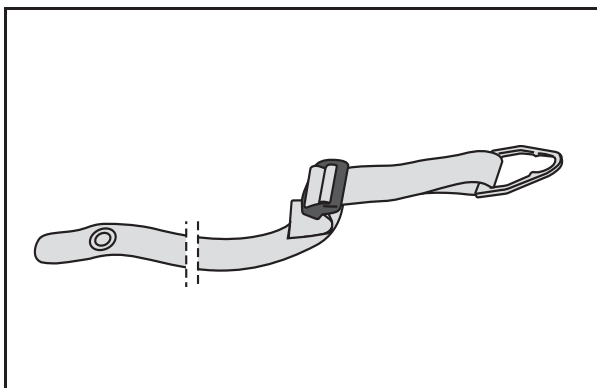
---



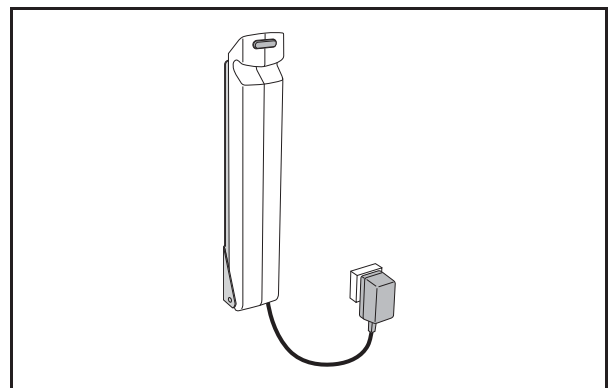
Foot scale



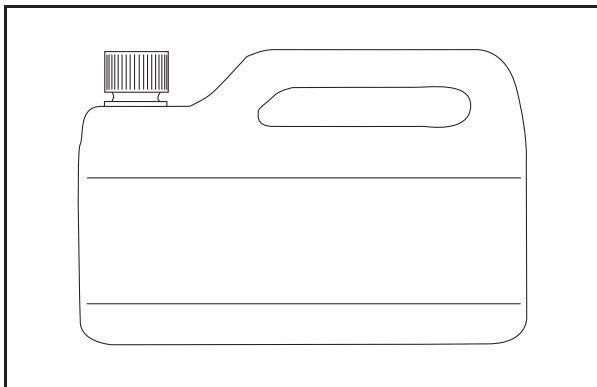
Bedpan and bedpan holder



Safety belt



Battery and charger



For disinfectant contact the Arjo local representative