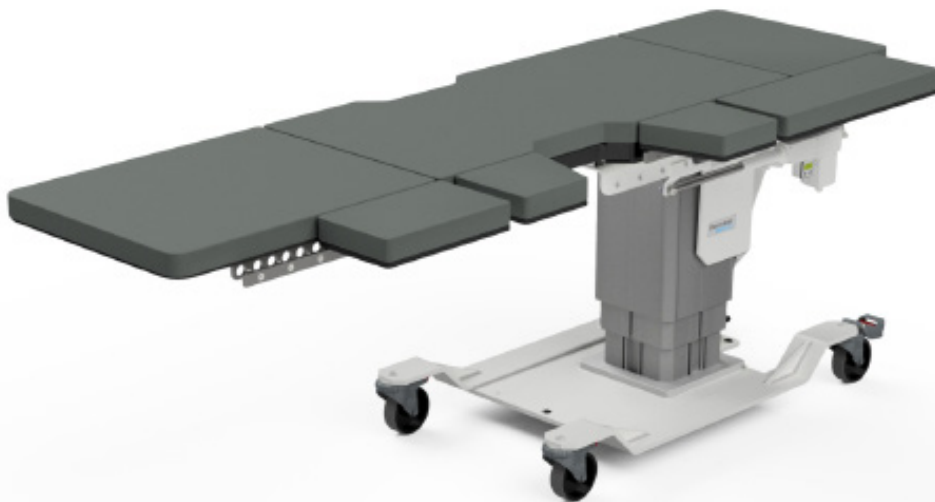




CFLU401 Lithotripsy/Urology Table



Unique design with moveable panels permits left or right side lithotripsy procedures while offering large support surfaces where needed. Panels are attached to t-rails, allowing flexible positioning along the length of the table. Easily converted for urology.

Motions

- Motion 1 - Height Range 27" - 45"
- Motion 2 - Trendelenburg Tilt +15/-11°
- Motion 3 - Longitudinal Travel 10"
- Motion 4 - Lateral Travel 8"

Features

- Slow speed longitudinal, lateral movement for precise targeting
- 500 lb. weight rating
- Warranty is 3 years parts and 2 years labor

SPECIFICATIONS

- Slow speed longitudinal, lateral movement for precise targeting
- Designed to work with most portable lithotripters & C-Arms
- 500 lb weight rating
- Left & right Lithotripter access
- Rugged design perfect for mobile or stationary use

CFLU401 #82014

INCLUDED FEATURES

Carbon Fiber Top	23" W x 47" L Total surface area 19" W x 24" L Metal free imaging space
Motion 1	Electric Height Range 27" - 45" (69-114cm) w/o pad
Motion 2	Electric Trendelenburg tilt +15°/-11°
Motion 3	Electric Longitudinal travel 10" (25cm)
Motion 4	Electric Lateral travel 8" (20cm)
Controls	All functions hand control + foot control
Weight Capacity	500 lb (227kg) Each Extension: 200 lb (91kg)
Product Weight	618 lb (280kg)
Lateral Extension	(1) Lateral Extension 8.5" x 24" (22cm x 60cm) (1) Lateral Extension 8.5" x 14" (22cm x 36cm) (2) Angled Lateral Extensions 8.5" x 10" (22cm x 25cm)
Patient Transfer Extension	23" x 28" (58cm x 71cm) (Radiolucent)
Short End Extension	23" x 16" (58cm x 40cm)
Included Features	2" (5cm) Radiolucent Comfort Foam™ table top pad, 5" (13cm) locking casters, Digital angle gauge, patient restraint straps (2), US standard full length T-rails on each side, Urology bag hoop
Warranty	3 years parts, 2 years labor
Safety Listings	FDA listed, CE marked, cETLus listed, CB Certificate

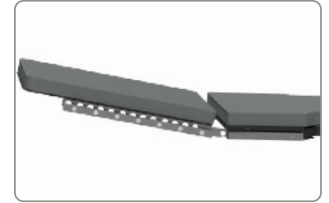
OPTIONS *must be ordered with table.*

Non-USA electrical systems	Please inquire
----------------------------	----------------

FEATURES

PATIENT TRANSFER EXTENSION

Easily removed and installed, radiolucent with 200lb weight rating on the extension alone



UROLOGY BAG HOOP

Table comes with hoop and clamps to t-rails. (bags not included)



DIGITAL GAUGE

Provides accurate read out of trendelenburg setting

