



# Chair **Caddie**<sup>TM</sup>

RETRO-FIT



***It Turns...It Rolls...and Locks for Safety!***

- Extends life of chairs by 2-4 years
- Eliminates damage to floors
- Attaches to existing chairs



*The Chair CADDIE enables a spouse / caregiver to easily and safely move a seated person up-to and away-from the table...without risk of injury.*

- Reduces caregiver fatigue
- Reduces workplace injuries
- Provides dignity to persons with limited mobility

***NO Pushing...NO Shoving...NO Twisting!***

**PATENT  
PENDING**

# Chair Caddie™

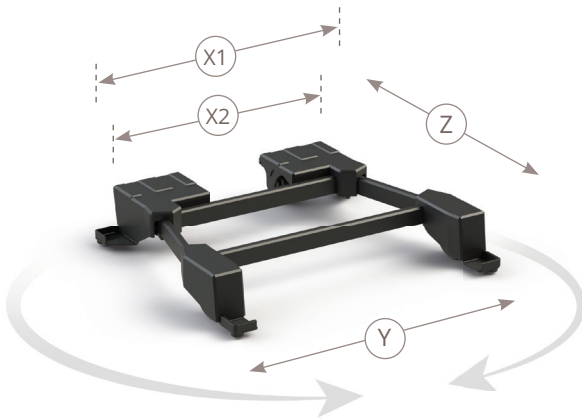
RETRO-FIT

1. **Attaches to existing chairs** (wood or metal)
2. Low profile design – chair is raised  $\frac{3}{4}$ " above the floor
3. Fits inside the footprint of an existing chair
4. Medical grade casters:  
*Chair Caddie A (3" front / 2" rear)*  
*Chair Caddie B (4" front / 3" rear)*
5. Anti-tip glides
6. Front wheel tension control
7. Foot activated locking rear caster
8. Rated for 450 lbs.
9. Attaches to arm or armless chairs
10. Adjustable - Custom sizes available



## Chair Caddie A

- HomeCARE
- Residential



X1 15  $\frac{3}{8}$ " - 23  $\frac{5}{8}$ "

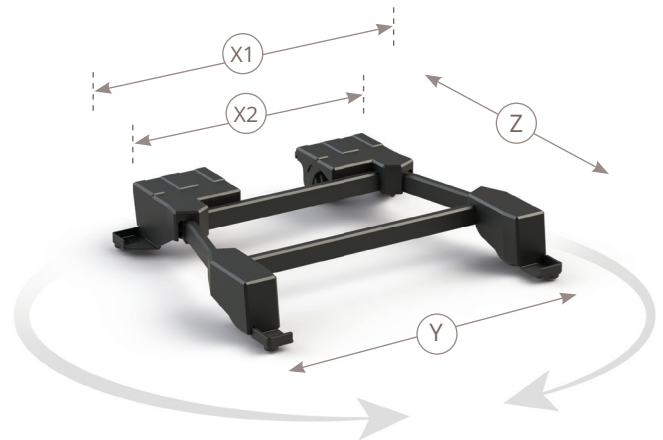
X2 10  $\frac{11}{16}$ " - 18  $\frac{15}{16}$ "

Y 14  $\frac{3}{4}$ " - 23"

Z 16  $\frac{7}{16}$ " - 22  $\frac{9}{16}$ "

## Chair Caddie B

- Senior Living / LTC
- Adult Day Care
- Commercial



X1 17  $\frac{5}{8}$ " - 24"

X2 13" - 19  $\frac{3}{8}$ "

Y 17" - 24"

Z 18" - 24  $\frac{1}{16}$ "

Changing the *costs* culture *community* of care

