

# CHAMPION™

Quality Healthcare Seating Products

## 526 Series

CLASSIC OVERNIGHTER CHAIR

RATED UP TO 300 LBS.

Part #526



Shown with optional oak armrests.



Three positions available for optimal function and comfort.

The open-concept design of the Classic Overnighter provides stylish daytime seating and spacious sleeping for overnight guests. One of our very first products, the Classic Overnighter features time-tested engineering with superior durability for years of use. Medical-grade vinyls clean easily and come in a wide range of colors to match any interior color scheme. Keep loved ones close and comfortable with the Classic Overnighter.

### STANDARD FEATURES

Three positions

Steel and wood construction

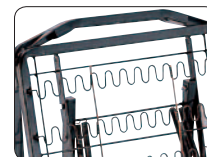
Caster wheels (rear locking)

Open design to allow for body mobility

Caster wheels for easy conversion



Z-spring construction



Open-concept design



### STANDARD VINYL SELECTION



Natural  
T09



Aquamarine  
T19



Bonnie Blue  
T21



Iced Mint  
T26



Tearose  
T43



Colonial Blue  
T45



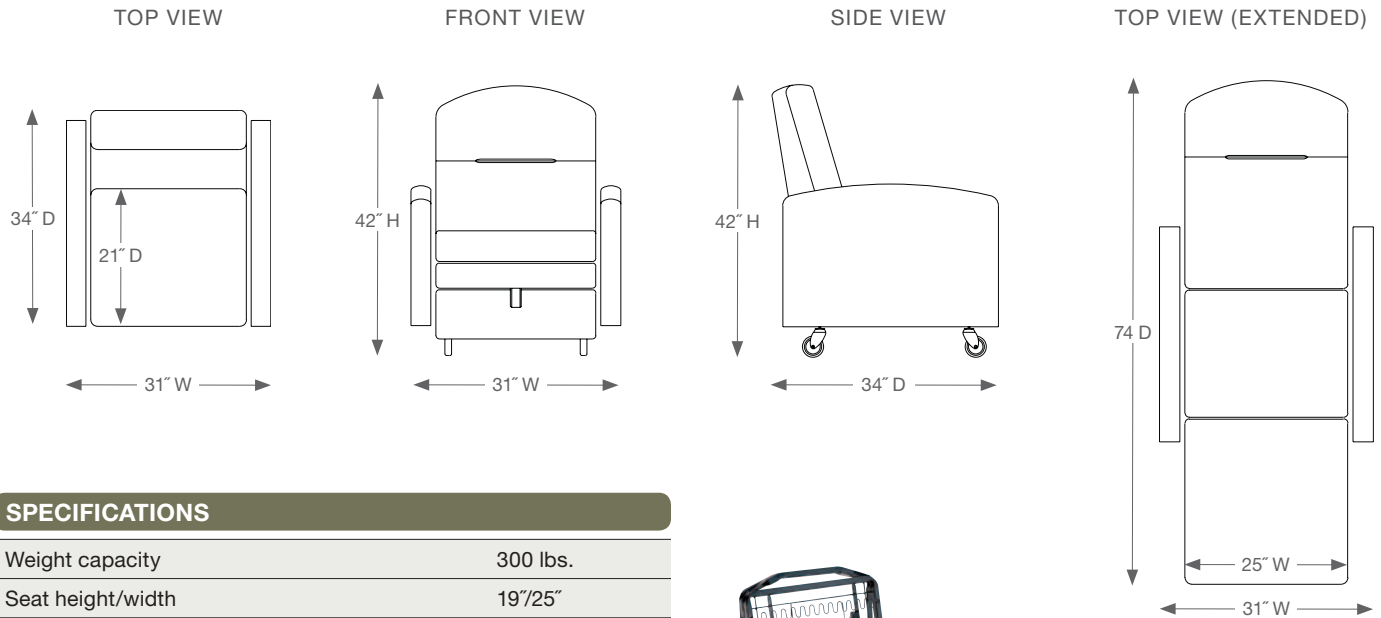
Gray  
T56



Cranberry  
T96

Printed color swatches may not be an exact match to actual fabrics and are enlarged to show detail.

## SPACE REQUIREMENTS



## SPECIFICATIONS

Weight capacity	300 lbs.
Seat height/width	19"/25"
Seat depth	21"
Arm width	2.5"
Overall height	42"
Overall width	31"
Overall length (seated position)	34"
Overall length (sleep position)	74"
Optional wood arm cap width	3"



Steel frame components are powdered-coated to resist corrosion.

## OPTIONS

Oak armrests (2)

CAL 133 fire barrier (3)\*

Vinyl upgrades

Champion, graded vinyl selections\*\*

Customer's own material (COM)

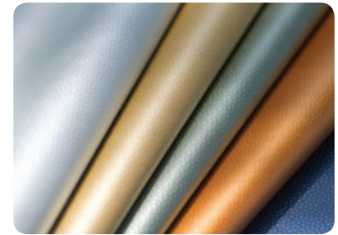
PVC-free material

\*Contact Champion for a list of fire-tested vinyls.

\*\*For available patterns and colors for graded vinyl selections, please contact your Champion sales representative.



OAK ARMRESTS



VINYL UPGRADES

**CHAMPION**<sup>™</sup> Champion Manufacturing, Inc. | Elkhart, IN 46516

Information contained in this literature is based on the latest product data available at the time of printing. Photography, artwork, text and specifications are subject to change. Photography may show optional items. Due to photographic and printing processes, product colors in this brochure are not necessarily accurate. Champion Manufacturing, Inc. reserves the right to make changes to colors, materials, prices, standards, options, equipment and any specification at any time without notice or obligation. Contact Champion direct for additional information and the latest specifications.