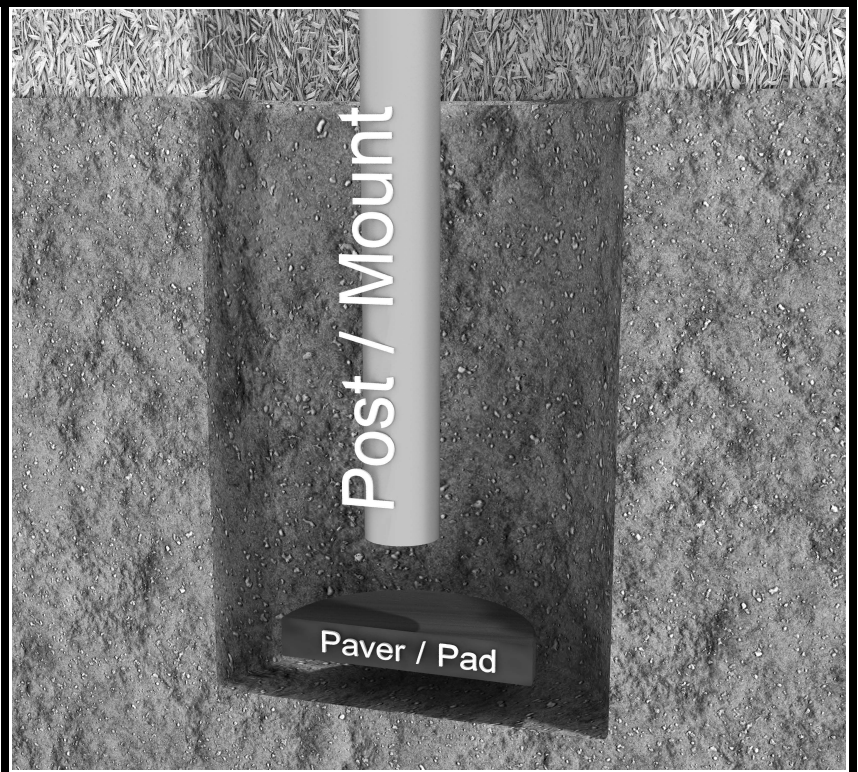


Inground Post/Mount Installation

STEP: 1

DO NOT CEMENT POSTS/MOUNTS INTO PLACE UNTIL THE ENTIRE STRUCTURE IS ASSEMBLED.

Refer to the General Installation guide footing size information and digging proper holes for the support posts/mounts.

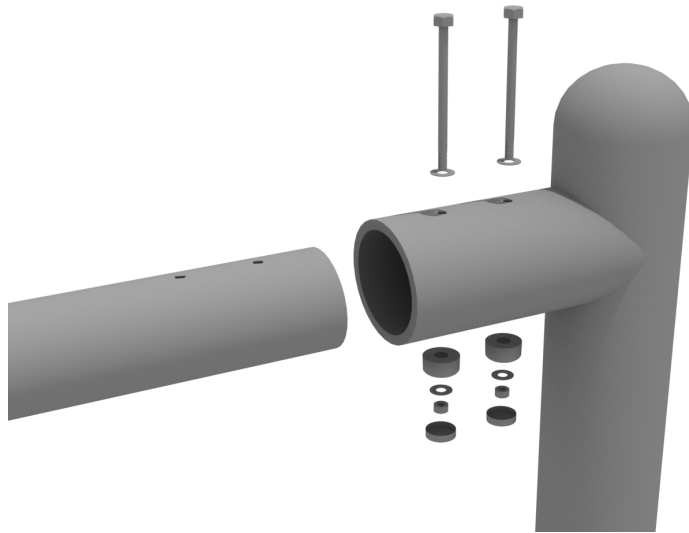


Created By: Gage Brown
Date: 04/26/2018

High-Capacity Adaptive Swing Seat Install

For easy installation it is recommended to assemble swing frame and lower onto footers. Once frame is assembled and leveled with hardware installed on top rail, cement into place. Follow guidelines from Concrete manufacturer for amount / time of curing, etc. It is also recommended the use of ratchet straps along with stakes / anchor spike to stabilize frame while cement cures.

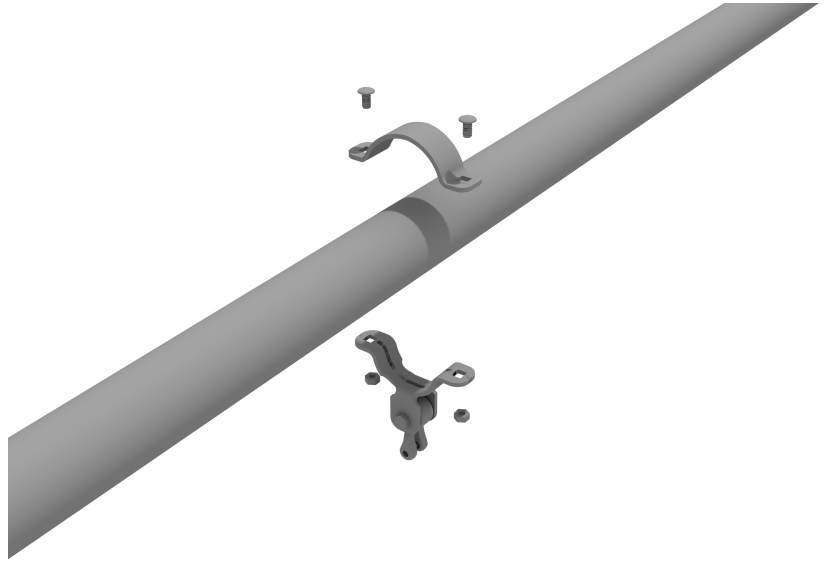
Attach end post to top rail using two (2) 6-1/4" bolts, four (4) washers, two (2) lock nuts and two (2) bolt covers with cap.



Created By: Jordan B
Date: 06/29/2022

High-Capacity Adaptive Swing Seat Install

Loosen and attach swing hanger on to top rail. Spacing hangers with a minimum distance of 20" between each other.



Loosen hardware on swing hanger pendulum and attach chains.



Created By: Jordan B
Date: 06/29/2022

High-Capacity Adaptive Swing Seat Install

Loosen double clevis hardware and attach adaptive seat using the four connection points. Re-tighten double clevis hardware.



Created By: Jordan B
Date: 06/29/2022