

---

# Concerto/Basic

## Parts List

---

**ARJOHUNTLEIGH**  
GETINGE GROUP



# General information

Note. All article numbers starting with **85** indicates that more than one detail is included in the article number. Blue text indicates changes compared to previous manual.

## How to order

Before ordering spare parts study the exploded view closely and make sure that you note all involved spare parts.

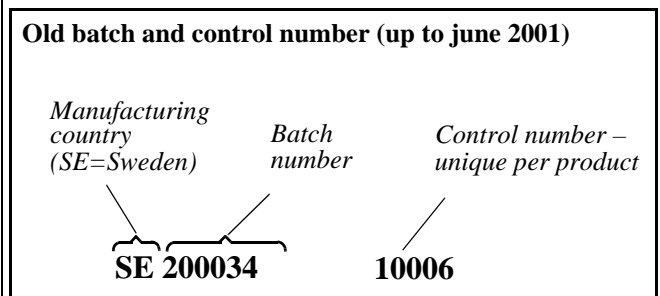
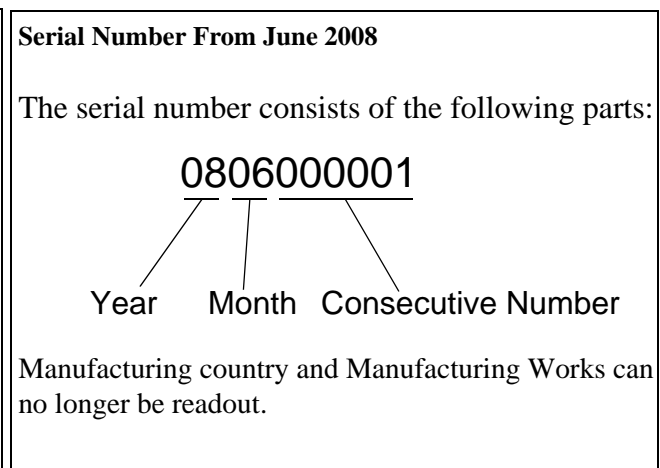
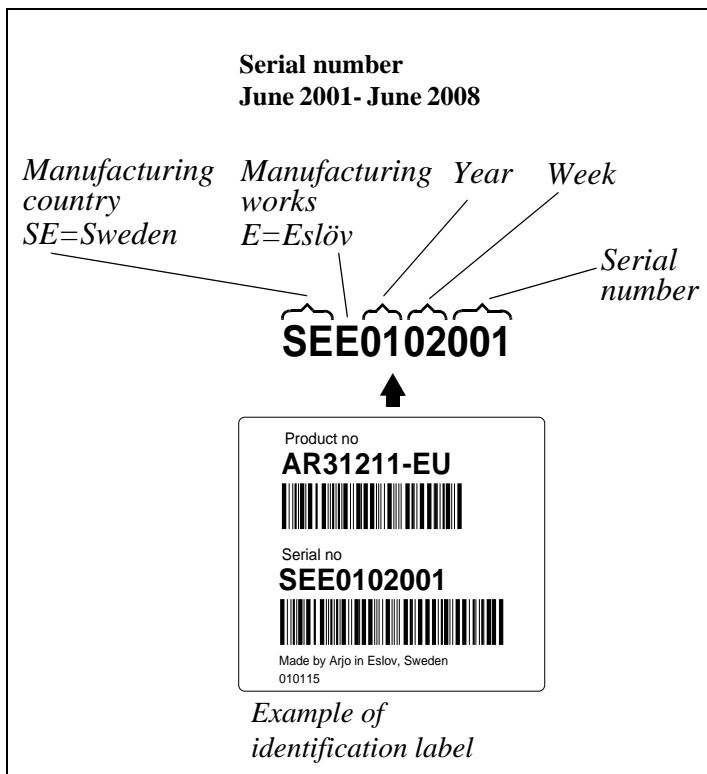
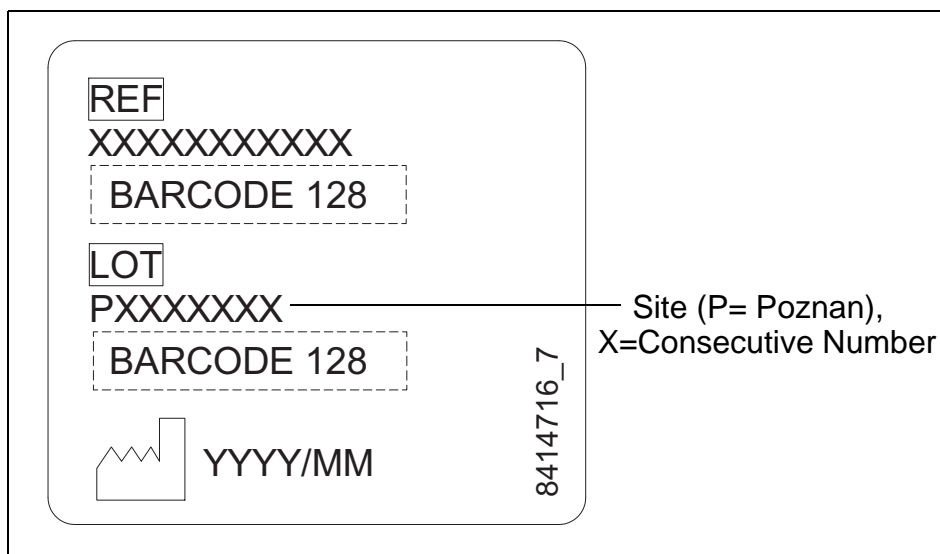
Please note that gaskets and o-rings normally are included in kits and can not be ordered separately.

When taking contact with ArjoHuntleigh Parts sales always have the following information at hand:

- Correct name of the product. See type label.
- The serial number of the product. See labels

## Old parts

This Parts List does not show complete history. For old parts not found please refer to previous Part List 5.08.04/3.



## *Contents Concerto/Basic*

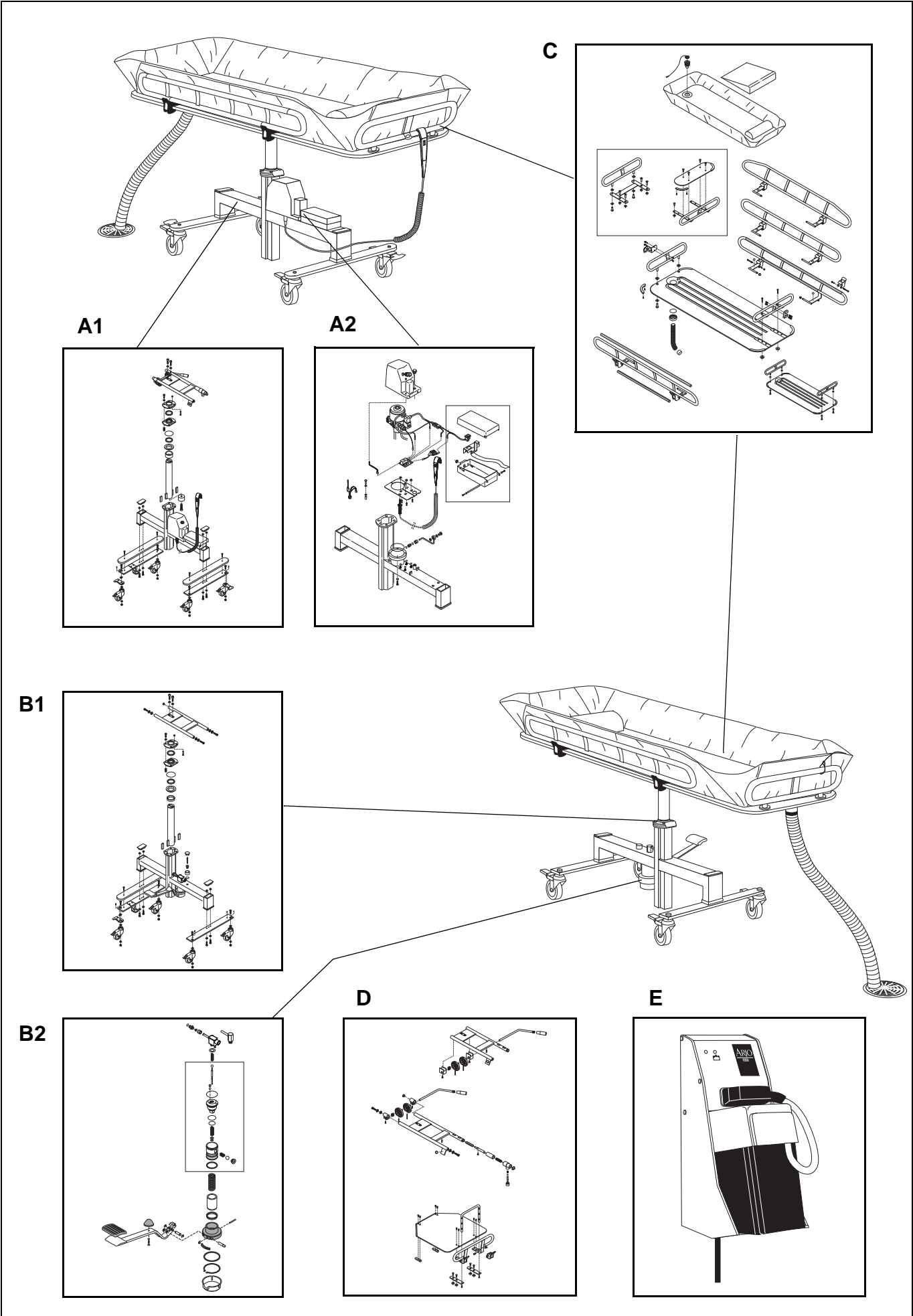
---

<b>Overview</b> .....	<b>4</b>
<b>A1 Electric Chassis (Concerto)</b> .....	<b>6</b>
<b>A2 Electric Pump/Battery Box (Concerto)</b> .....	<b>8</b>
<b>B1 Hydraulic Chassis</b> .....	<b>10</b>
<b>B2 Hydraulic Pump</b> .....	<b>12</b>
<b>C Stretcher</b> .....	<b>14</b>
<b>D Horizontal Adjustment (Concerto)/Back Support</b> ...	<b>18</b>
<b>E Battery Charger/Battery (Concerto)</b> .....	<b>20</b>
<b>Preventive Maintenance Parts/Recommended Spares</b> ....	<b>23</b>
<b>Service Articles and Special Tools</b> .....	<b>24</b>

## *Overview*

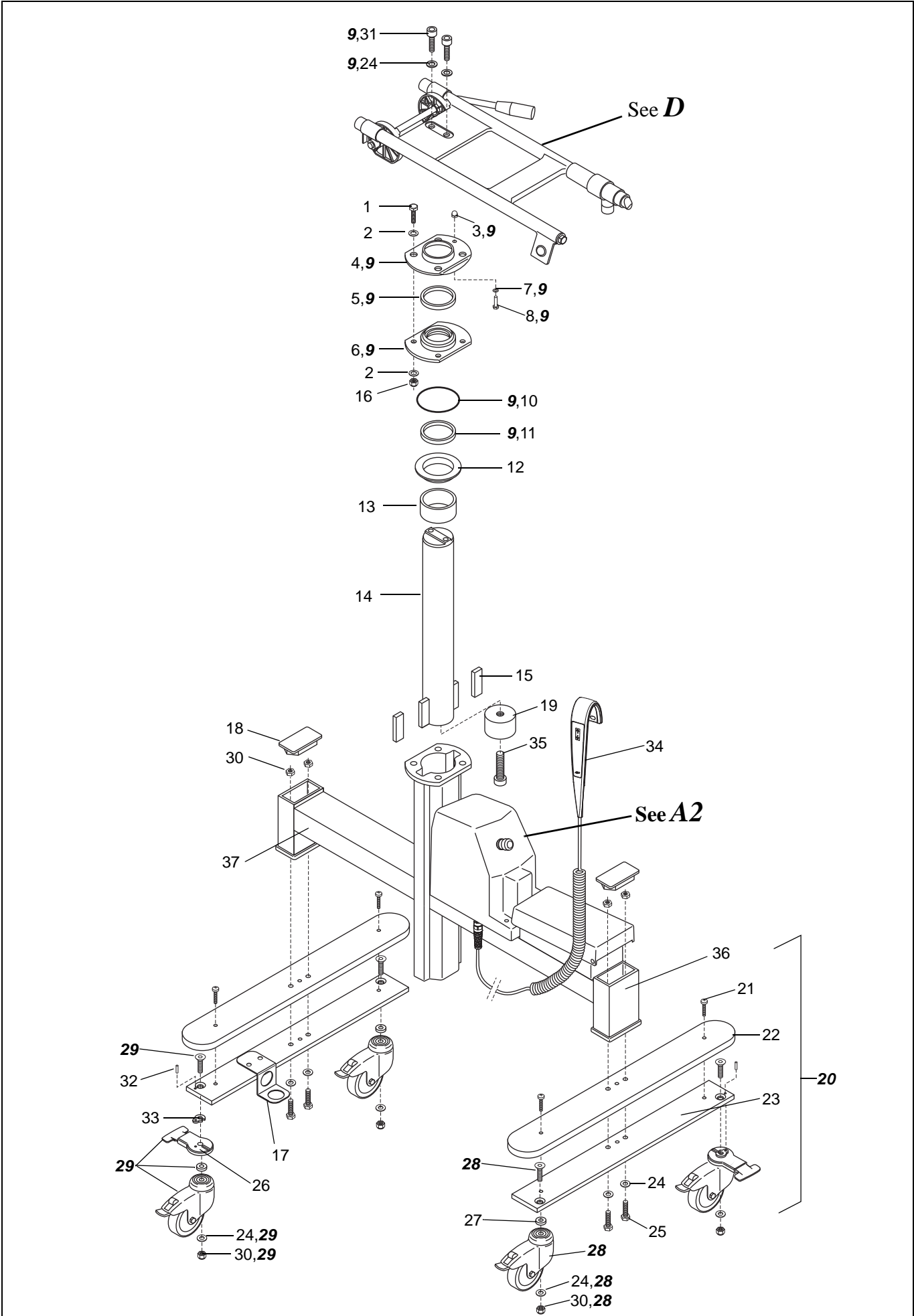
<b>Pos</b>	<b>Description</b>	<b>See page</b>
<b>A1</b>	Electric Chassis (Concerto)	6
<b>A2</b>	Electric Pump/Battery Box (Concerto)	8
<b>B1</b>	Hydraulic Chassis	10
<b>B2</b>	Hydraulic Pump	12
<b>C</b>	Stretcher	14
<b>D</b>	Horizontal Adjustment/Back Support (Concerto)	18
<b>E</b>	Battery Charger/Battery	20

# Overview



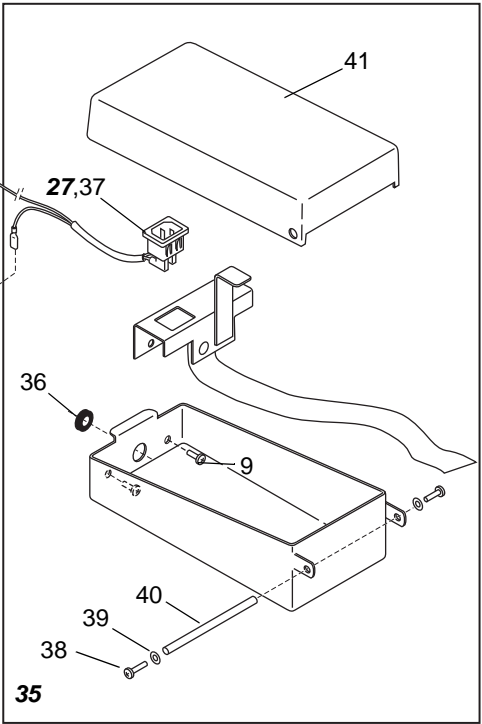
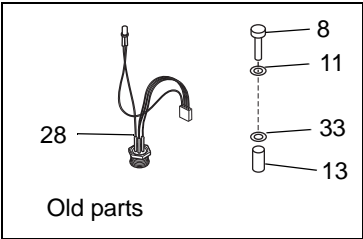
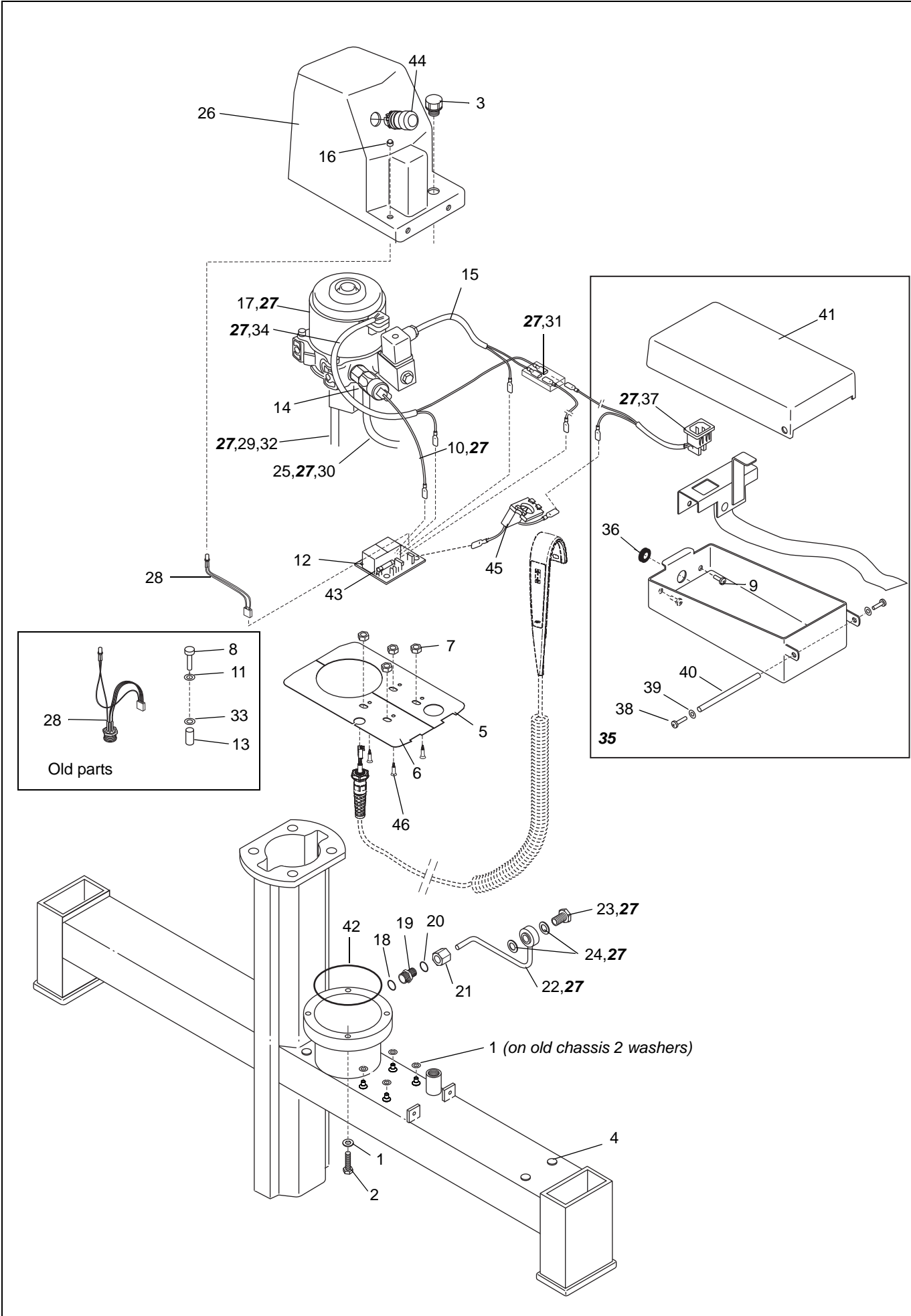
<i>AI Electric Chassis (Concerto)</i>						
Pos	Art. No.	Qty	Description	From ser. No.	Up to ser. No.	Remarks
<b>A</b>	<b>S8538121-013</b>	<b>1</b>	<b>Electric chassis complete</b>			<b>No Castor balk</b>
<b>1</b>	6100630	4	Screw A4 M6S ISO 4014 M6x30-80			
<b>2</b>	6200003	8	Washer A4 BRB ISO 7089 6.4 x12x1.6-			200HV
<b>3</b>	6210023	1	Nut A4 MHM DIN 1587 M4-80			
<b>4</b>	8421223-04 8421223-031	1	Washer, white Washer, grey			
<b>5</b>	6300002	1	Scraper			
<b>6</b>	8422062-013	1	Bearing, dark blue			
<b>7</b>	6261202	1	O-ring			
<b>8</b>	8435159	1	Nipple			
<b>9</b>	<b>8536002-031</b>	<b>1</b>	<b>Bearing complete, grey</b>			
<b>10</b>	6260065	1	O-ring			
<b>11</b>	6321005	1	Seal			
<b>12</b>	8422059	1	Guide			
<b>13</b>	8435771	1	Stop ring			
<b>14</b>	8322055 8343332	1	Lifting piston Lifting piston, 1600mm stretcher			
<b>15</b>	8321060-01	2	Guide piece			
<b>16</b>	6210043	4	Lock nut A4-DIN 985 M6-80			
<b>17</b>	8357924-031	1	Hose holder, grey			
<b>18</b>	8321086-013	2	End plug, dark blue			
<b>19</b>	8443334	1	Spacer			1600 mm chassis
<b>20</b>	<b>S8551413-013</b>	<b>2</b>	<b>Castor balk complete, grey</b>			
<b>21</b>	6190337	4	Screw A4 MRT-TT ISO 14583 M6x12			
<b>22</b>	8123945-013	2	Cover, dark blue			
<b>23</b>	8351402-031	2	Balk, grey			
<b>24</b>	6200007	10	Washer A4 BRB ISO 7089 10.5x20x2			200HV
<b>25</b>	6101040	4	Screw A4 M6S ISO 4014 M10x40-80			
<b>26</b>	6907742	2	Straight steering			
<b>27</b>	6200019	2	Washer A4 TBR SB-SS 1466 10,5x28x6			200HV
<b>28</b>	6311031 8546848	4 2	Castor (Rhombus) Castor kit	000701	000701	
<b>29</b>	8546849	2	Castor kit, straight steering	000701		
<b>30</b>	6210045	8	Lock nut A4-DIN 985 M10-80			
<b>31</b>	6190089	2	Screw A4 MC6S ISO 4762 M10x22-100			DriLoc
<b>32</b>	8524024	2	Pin kit			
<b>33</b>	8451407	2	Washer			
<b>34</b>	8560055	1	Hand control			Before serial number 1106000126 see Maintenance and Repair Manual for replacement procedure
<b>35</b>	6130825	1	Screw A4 MC6S ISO 4762 M8x25-80			1600 mm chassis
<b>36</b>	8418700		ArjoHuntleigh logo			
<b>37</b>	8618781	1	Label Concerto			

A1



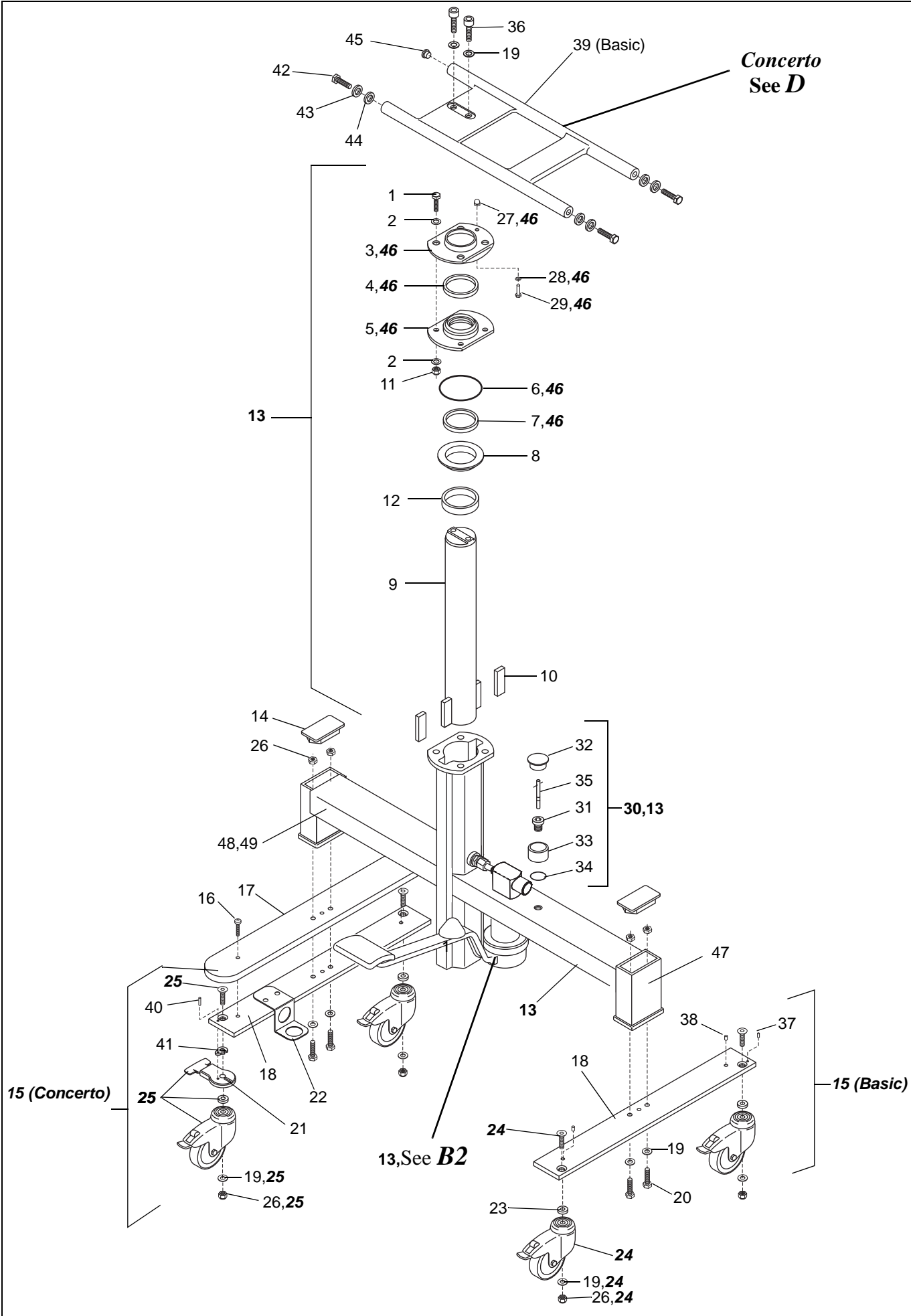
A2		<i>Electric Pump/Battery Box(Concerto)</i>				
Pos	Art. No.	Qty	Description	From ser. No.	Up to ser. No.	Remarks
1	6200003	8	Washer A4 BRB ISO 7089 6.4x12x1.6			200HV
2	6100625	4	Screw A4 M6S ISO 4017 M6x25-80			
3	6316076	1	Lid			
4	6301017	4	Buffer			
5	8361892	1	Protection plate			New edition
6	8361893	1	Protection plate			New edition
7	6210013	4	Nut A4 M6M ISO 4032 M6 -80			
8	6120316	4	Screw A4 MCS ISO 1207 M3x16-80		1106000125	
9	6130612	2	Screw A4 MC6S ISO 4762 M6x12-80			
10	8461655	1	Cable pressure switch			New edition
11	6200082	4	Washer, 3,2x7x0,5 plastic		1106000125	
12	8331275	1	PCB			
13	6303081	4	Spacer		1106000125	
14	6907166	1	Pressure switch			
15	8439139	1	Cable solenoid valve	*		*New edition SEE0449195
16	6367020	1	LED-clip			
17	6316284	1	Hydraulic unit	SEE0449195		
18	6261207	1	O-ring			
19	8433404	1	Coupling			
20	6319163	1	Cutting ring			
21	6312032	1	Nut			
22	8333184 8457160	1	Tube	SEE0449195	SEE0449194	
23	6301008 8457155	1	Banjo screw	SEE0449195	SEE0449194	
24	6250293	2	Washer KB M14	SEE0449195		
25	6319485	1	Hose clamp	SEE0449195		
26	8133049-013 8161891-013	1	Cover, dark blue Cover, dark blue	1106000126	1106000125	With hole for emergency stop button
27	8546921	1	<b>Replacement kit hydraulic unit</b>		SEE0449194	Replaces 8233186
28	8454946 8461618	1	Cabling LED-hand control Cabling LED	1106000126	1106000125	
29	6270347	0,1m	Hose			
30	6270169-350	1	Hose			
31	6374022 8457034	1	Wire distributor	SEE0449195	SEE0449194	
32	6319445	1	Hose clamp			
33	6200152	4	Washer Skiffy		1106000125	
34	8356749	1	Harness, motor	SEE0449195		
35	S8538116-013	1	Battery box grey, complete			.Up to SEE0449194 cable 8433181 must be ordered separately.
36	6370002	1	Rubber inlet			
37	8433181 S8457189	1	Cable, battery box	SEE0449195	SEE0449194	S8457189 includes connector for versions without emergency stop.
38	6190108	2	Screw A4 - MRX ISO 7045 M4x10-80-Z			
39	6200001	2	Washer A4 BRB ISO 7089 4.3x8x0.8			200HV
40	8424964	1	Shaft			
41	8224236-013	1	Lid, dark blue			
42	6260065	1	O-ring			
43	6379077	1	Fuse T15AL 6,3x32mm			
44	6319516	1	Emergency stop			
45	8360696	1	Cabling Emergency stop			
46	6370704	4	Spacer			





<i>B1</i>		<i>Hydraulic Chassis</i>				
Pos	Art. No.	Qty	Description	From ser. No.	Up to ser. No.	Remarks
1	6100630	4	Screw A4 M6S ISO 4014 M6x30-80			
2	6200003	8	Washer A4 BRB ISO 7089 6.4x12x1.6			200HV
3	8421223-04 8421223-031	1	Washer, white Washer, grey			
4	6300002	1	Scraper			
5	8422062-013	1	Bearing, dark blue			
6	6260065	1	O-ring			
7	6321005	1	Seal			
8	8422059	1	Guide			
9	8322055	1	Lifting piston			
10	8321060-01	2	Guide piece			
11	6210043	4	Lock nut A4-DIN 985 M6-80			
12	8422060	1	Stop ring			
13	<b>S8531803-013</b>	<b>1</b>	<b>Chassis grey, complete</b>			<b>No Castor balk</b>
14	8321086-013	2	End plug, dark blue			
15	<b>S8551413-013</b> <b>S8551410-031</b>	2	<b>Castor balk compl., straight steering</b> <b>Castor balk compl.</b>			Concerto, grey Basic, grey
16	6190337	4	Screw A4 MRT-TT ISO 14583 M6x12			Concerto
17	8123945-013	2	Cover, dark blue			Concerto
18	8351402-04 8351402-031	2	Balk, white Balk, grey	000701		
19	6200007	10	Washer A4 BRB ISO 7089 10.5x20x2			
20	6101040	4	Screw A4 M6S ISO 4014 M10x40-80			
21	6907742	2	Straight steering			
22	8357924-031	1	Hose holder, grey			Concerto
23	6200019	2/4	Washer A4 TBRB-SS 1466 10,5x28x6			Concerto 2, Basic 4
24	6311031 8546848	4 2/4	Castor (Rhombus) Castor kit	000701	000701	Concerto, Basic 4 Concerto 2, Basic 4
25	8546849	2	Castor kit, straight steering	000701		Concerto
26	6210045	8	Lock nut A4-DIN 985 M10-80			
27	6210023	1	Nut A4 MHM DIN 1587 M4-80			
28	6261202	1	O-ring			
29	8435159	1	Air nipple			
30	<b>S8542204</b>	<b>1</b>	<b>Oil plug, complete</b>			
31	8411564	1	Screw			
32	6327001	1	End plug			
33	8423546	1	Oil plug			
34	6260047	1	O-ring			
35	8446002	1	Oil pin			
36	6190089	2	Screw A4 MC6S ISO 4762 M10x22-100			DriLoc
37	6327086	2	Plug, white	000701		Basic, white chassis
38	6327087	4	Plug, white	000701		Basic, white chassis
39	8142210-04 8142210-031	1	Fixation plate, white Fixation plate, grey			Basic
40	8524024	2	Pin kit			Concerto
41	8451407	2	Washer			Concerto
42	6100820	3	Screw A4 M6S ISO 4017 M8x20-80			Basic
43	8411342	3	Washer			Basic
44	8411343	3	Bush			Basic
45	6380013	1	End plug			Basic
46	<b>8536002-031</b>	<b>1</b>	<b>Bearing complete, grey</b>			
47	8418700	1	ArjoHuntleigh logo			
48	8618782	1	Label Basic			
49	8618781	1	Label Concerto			

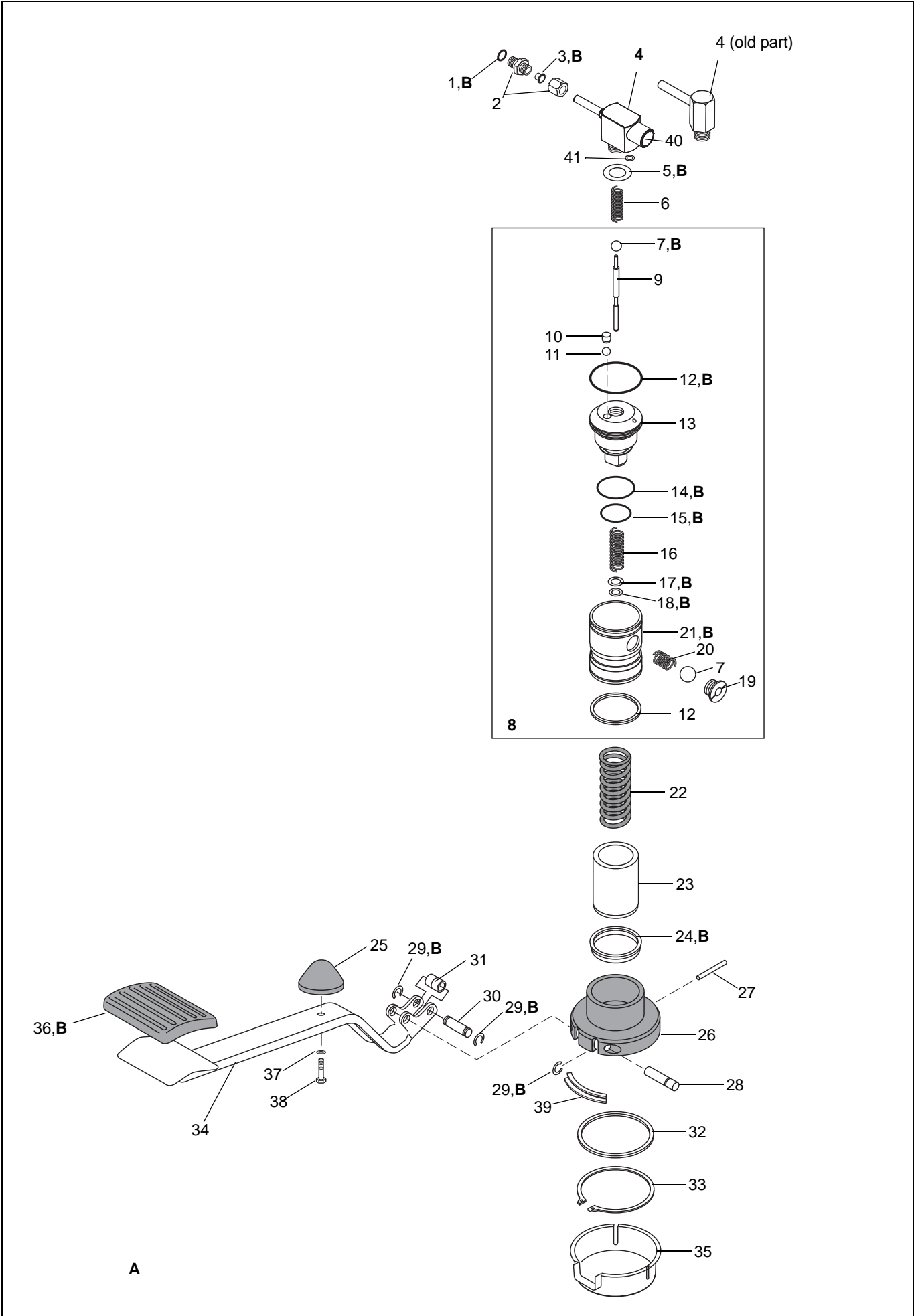
B1



**B2****Hydraulic Pump**

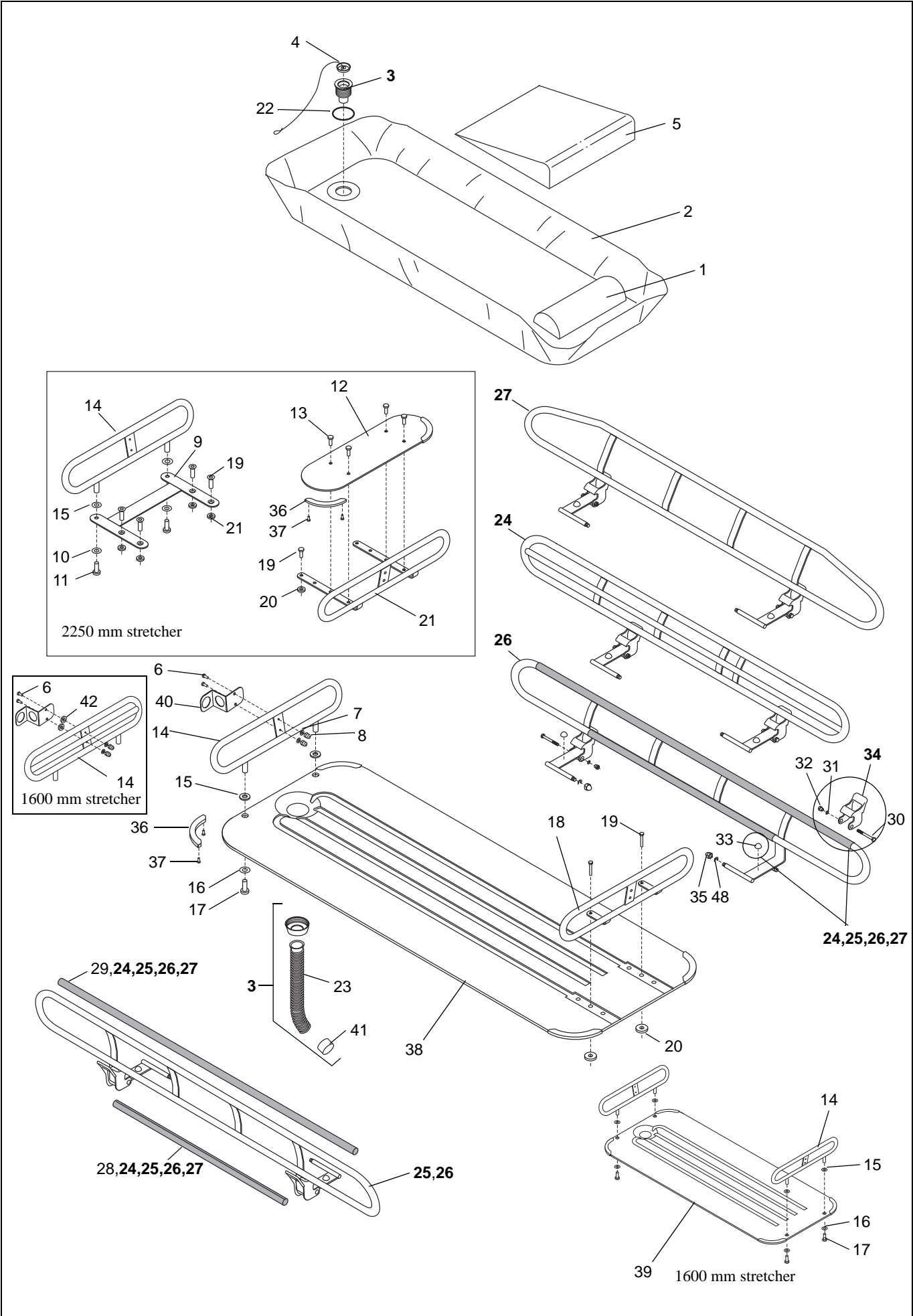
Pos	Art. No.	Qty	Description	From ser. No.	Up to ser. No.	Remarks
<b>A</b>	<b>S8531802-031</b> <b>S8563377-031</b>	<b>1</b>	<b>Hydraulic pump grey complete</b>	1105000706	1105000705	<b>Not incl. pos 1-6, 22-24, 32,33,35</b>
<b>B</b>	<b>8535483</b> <b>8563375</b>	<b>1</b>	<b>Repair kit</b>	1105000706	1105000705	
<b>1</b>	6260012	1	O-ring			
<b>2</b>	8420709	1	Straight coupling			
<b>3</b>	8421261	1	Cone			
<b>4</b>	8420712 <b>S8662034</b>	1	Coupling <b>Pressure relief valve</b>	1105000706	1105000705	<b>Incl. pos 40</b>
<b>5</b>	6260041	1	O-ring			
<b>6</b>	8421260	1	Spring			
<b>7</b>	6310031	2	Ball			
<b>8</b>	<b>8531174</b> <b>8563376</b>	<b>1</b>	<b>Pump insert kit</b>	1105000706	1105000705	
<b>9</b>	8421762	1	Lowering pin			
<b>10</b>	8420724	1	Plug			
<b>11</b>	6310028	1	Ball			
<b>12</b>	6260057	2	O-ring			
<b>13</b>	8321763	1	Pump body			
<b>14</b>	6260054	1	O-ring			
<b>15</b>	6260050	1	O-ring			
<b>16</b>	8420749	1	Spring			
<b>17</b>	6200001	1	Washer A4 BRB ISO 7089 4.3x8x0.8			<b>200HV</b>
<b>18</b>	6319006	1	Circlip			
<b>19</b>	8421248	1	Suction nipple			
<b>20</b>	8421249	1	Spring			
<b>21</b>	8420907 8662661	1	Spacer	1105000706	1105000705	
<b>22</b>	8420913	1	Pressure spring			
<b>23</b>	8420904	1	Piston			
<b>24</b>	6310074	1	Seal			
<b>25</b>	8421764	1	Stopper			
<b>26</b>	8320725	1	Bearing ring			
<b>27</b>	6240330	1	Pin			
<b>28</b>	8420731	1	Pedal shaft			
<b>29</b>	6319032	3	Circlip			
<b>30</b>	8420732	1	Shaft			
<b>31</b>	8420733	1	Sleeve			
<b>32</b>	8421055	1	Sliding ring			
<b>33</b>	6319023	1	Circlip			
<b>34</b>	8221820-04 8221820-031	1	Pedal, white Pedal, grey			
<b>35</b>	8320746	1	Pump cover			
<b>36</b>	8321832	1	Pedal rubber			
<b>37</b>	6200003	1	Washer A4 BRB ISO 7089 6.4 x 12 x 1.6-			<b>200HV</b>
<b>38</b>	6100620	1	Screw A4 M6S ISO 4017 M6x20-80			
<b>39</b>	8443822	1	Damper			
<b>40</b>	6327089	1	End plug			<b>Included in pos 4</b>
<b>41</b>	6260007	1	O-ring 9,1x1,6			

B2



C <i>Stretcher</i>						
Pos	Art. No.	Qty	Description	From ser. No.	Up to ser. No.	Remarks
1	8231551-013	1	Pillow, dark blue			
2	8131431-014 8131422-014 8131421-014	1	Mattress, light blue 1600 mm Mattress, light blue 1900 mm Mattress, light blue 2250 mm			Symbol direction added SEE0742564
3	<b>100828</b> <b>100828-1500</b> <b>100828-2000</b> <b>100828-3000</b>	1	<b>Drainage hose, complete</b>			1000mm 1500mm 2000mm 3000mm
4	8523863-014	1	Drainage plug light blue complete			
5	100880-01	1	Wedge pillow, light blue			
6	6190349 6190233	2 2	Screw A4 K6S ISO 7380 M6x20-80 Screw A4 K6S ISO 7380 M6x12-70			1600 mm stretcher
7	6200003	2	Washer A4 BRB ISO 7089 6.4 x12x1.6-			200HV
8	6210028	2	Nut A4 MHM DIN 1587 M6-80			
9	8322068-04 8322068-031	1	Extension, white Extension, grey			2250mm stretcher
10	6200005	2	Washer A4 BRB ISO 7089 8.4x16x1.6			200HV, 2250mm stretcher
11	6100820	2	Screw A4 M6S ISO 4017 M8x20-80			2250mm stretcher
12	8322077-04 S8322077-031	1	Plate, white Plate, grey			2250mm stretcher
13	6150612	4	Screw A4 MF6S ISO 10642 M6x12-80			2250mm stretcher
14	8208700-04 8208700-031 8259800-031	1 1 2	End support, white End support, grey End support, grey (3 bars)	SEE0739580		1900mm/Basic, 2250mm stretcher 1900mm/Basic, 2250mm stretcher 1600mm stretcher
15	8425485	2/4	Washer white			2:1900mm/Basic, 2250mm stretcher 4:1600mm stretcher
16	8408696	2/4	Washer white, countersunk			2:1900mm/Basic 4:1600mm stretcher
17	6150825	2/4	Screw A4 MF6S ISO 10642 M8x25- BUMAX88			2:1900mm/Basic, 4:1600mm
18	8211963-04 8211963-031	1	Head support, white Head support, grey			1900mm stretcher
19	6150820	2/8	Screw A4 MF6S ISO 10642 M8x20- BUMAX88			2:1900mm/Basic 8: 2250mm stretcher
20	8411097	2/8	Washer			2:1900mm/Basic 8: 2250mm stretcher
21	8222076-04 8222076-031	1	Head support, white Head support, grey			2250mm stretcher
22	6262414	1	O-ring			
23	6270101	1m	Hose			
24	<b>S8533571-031</b>	<b>1</b>	<b>Kit Sidesupport 1600mm right grey</b>			<b>Incl pos. 30-35</b>
25	<b>S8533572-031</b>	<b>1</b>	<b>Kit Sidesupport 1600 mm left grey</b>			<b>Incl pos. 30-35</b>
26	<b>S8533570-031</b>	<b>2</b>	<b>Kit Sidesupport 1900/2250mm grey</b>			<b>Incl pos 30-35</b>
27	<b>S8523559-031</b>	<b>2</b>	<b>Kit Sidesupport 1900/2250mm high- grey</b>			<b>Incl pos 30-35</b>
28	8432063-031	2	Cover grey short (790mm)			Concerto
29	8431416-031 8431737-031 8460143-031	2	Cover grey long (1230mm) Cover grey long (935mm) Cover grey long (1365mm)	SEE0739580		1600 and 1900mm/Basic stretcher High side support 1600 mm stretcher (3 bars)
30	6100550	4	Screw A4 M6S ISO 4014 M5x50-80			
31	6200002	4	Washer A4 BRB ISO7089 5.3x10x1-			200HV
32	8425558	4	Nut			
33	6301018	4	Buffer			

C



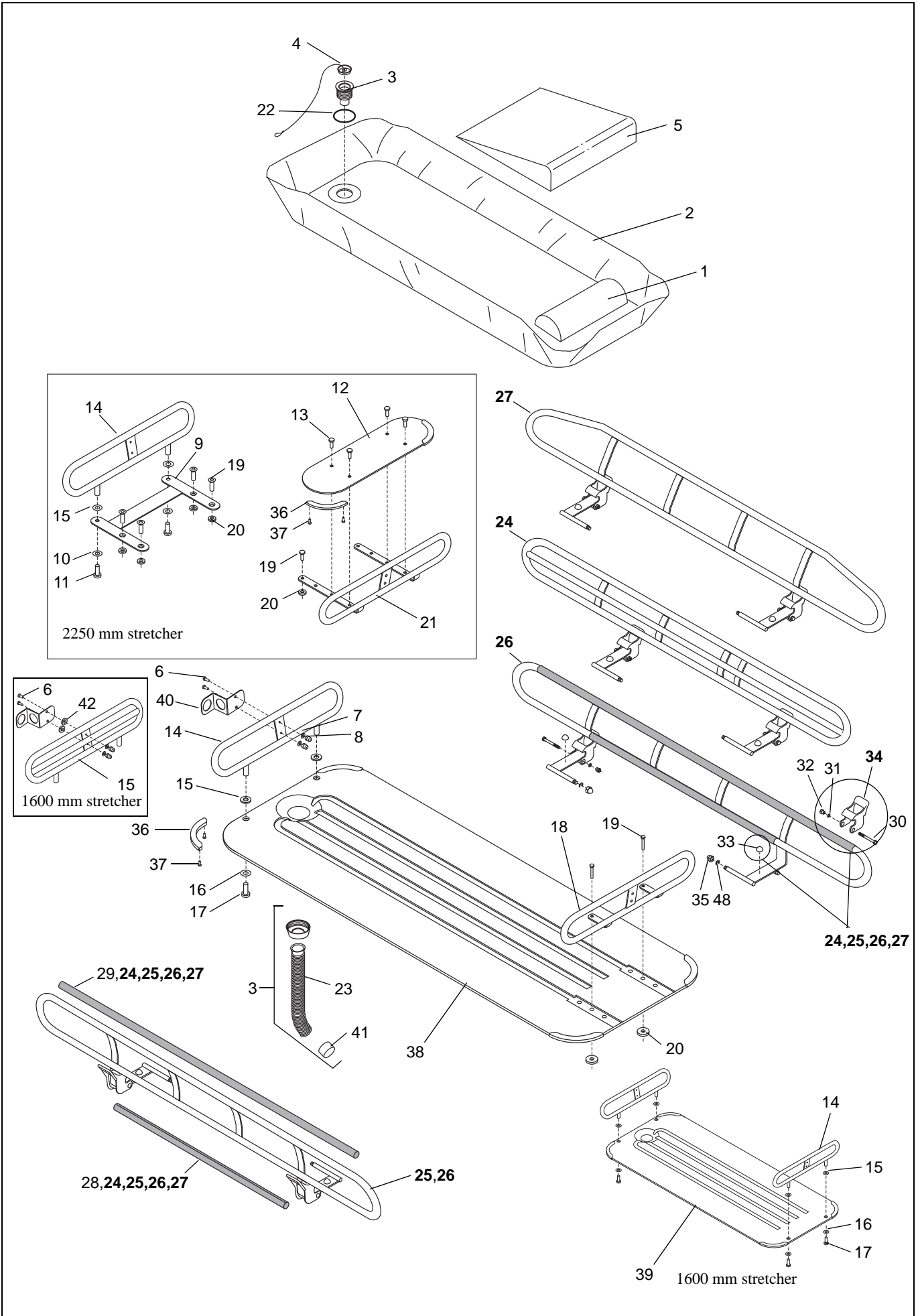
## C

*Stretcher*

Pos	Art. No.	Qty	Description	From ser. No.	Up to ser. No.	Remarks
34	8451622 8546608	4 1	Catch, complete Catch kit			Incl. 4 catches and 8663983
35	6210024	4	Cap nut A4 MHM DIN 1587 M8 - 80			
36	8411517	4	End protection			
37	6314022	8	Rivet 3,2x9,9			
38	S8311978	1	Stretcher 1900 mm,			Concerto/Basic incl screws/washers
39	S8323871	1	Stretcher 1600 mm			Concerto incl screws/washers
40	8357924-031	1/2	Hose holder, grey			Concerto 2 pcs/ Basic 1pcs
41	8408987	1	Tub			
42	8460340	2	Spacer			1600 mm Stretcher
43	100830	1	Bracket for bottle holder			Not illustrated
44	S8542201-014	1	Stretcher 1900 mm compl. Basic			Incl. end, side supports and drain. No mattress
45	S8551706-031	1	Stretcher 1900 mm compl. Concerto			Incl. end, side supports and drain. No mattress
46	S8551712-031	1	Stretcher 2250 mm compl.			Incl. end, side supports and drain. No mattress
47	S8551711-031	1	Stretcher 1600 mm compl.			Incl. end, side supports and drain. No mattress
48	8663983	2	Circlip Ø6x16x1			Introduced 1306000229, add on older products

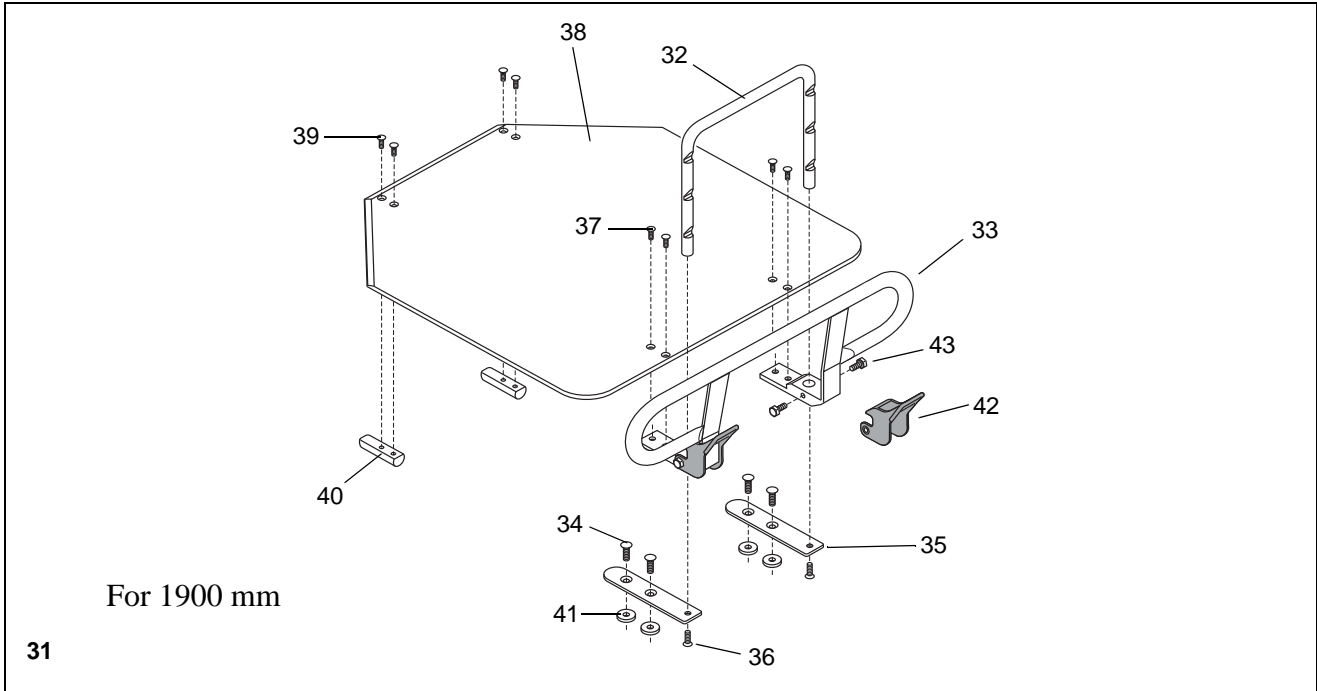
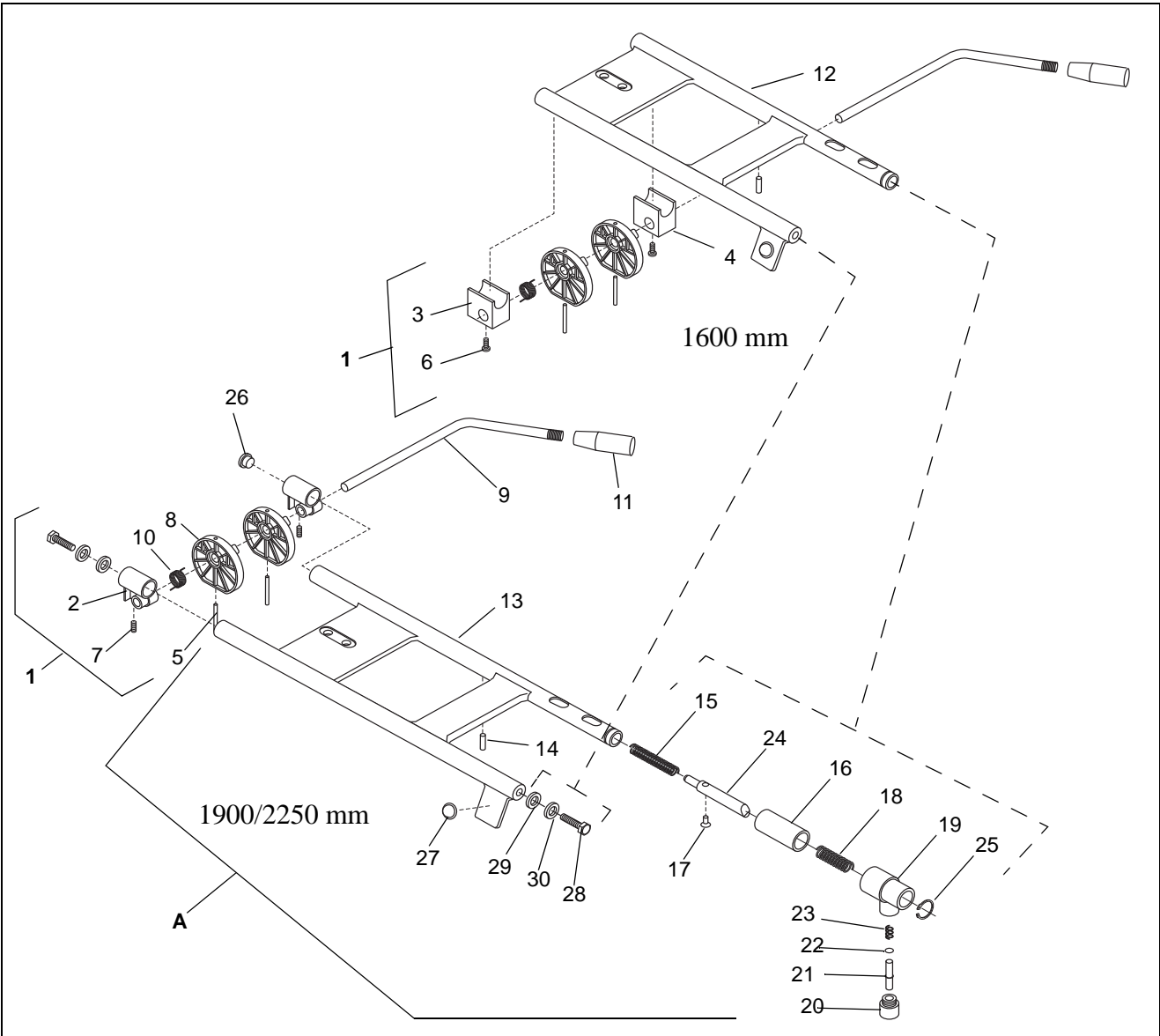


C



<b>D</b> <i>Horizontal Adjustment (Concerto)/ Back Support</i>						
Pos	Art. No.	Qty	Description	From ser. No.	Up to ser. No.	Remarks
<b>A</b>	S8533569-04		Fixation plate complete, white			1900/2250 mm
	S8533569-031		Fixation plate complete, grey			1900/2250 mm
	S8533573-04		Fixation plate complete, white			1600 mm
	S8533573-031		Fixation plate complete, grey			1600 mm
<b>1</b>	100804 S8523856	1	<b>Horizontal adjustment lever complete</b>			<b>1900/2250 mm 1600 mm</b>
<b>2</b>	8352683	2	Mounting block			1900/2250 mm
<b>3</b>	8423139	1	Mounting block for spring			1600 mm
<b>4</b>	8454792	1	Mounting block			1600 mm
<b>5</b>	6240450	2	Cylindric pin			
<b>6</b>	6130825	2	Screw A4 MC6S ISO 4762 M8x25-80			1600 mm
<b>7</b>	6190087	2	Stop screw A4 MSK6SS ISO 4029 M8 x16-21H			1900/2250 mm
<b>8</b>	8352659	2	Excenter			
<b>9</b>	8321770	1	Lever			
<b>10</b>	8421810	1	Spring			
<b>11</b>	6307005	1	Handle			
<b>12</b>	8122976-04	1	Fixation plate, white 1600mm			
	8122976-031		Fixation plate, grey 1600mm			
<b>13</b>	8123949-04	1	Fixation plate, white 1900/2250mm			
	8123949-031		Fixation plate, grey 1900/2250mm			
<b>14</b>	6220320	1	Resilent pin			
<b>15</b>	8424125	1	Pressure spring			
<b>16</b>	8423966	1	Spacer			
<b>17</b>	8423972	1	Screw			
<b>18</b>	8423973	1	Pressure spring			
<b>19</b>	8324454	1	Sleeve			
<b>20</b>	8423967	1	Nipple			
<b>21</b>	8423971	1	Catch pin			
<b>22</b>	6319085	1	Circlip			
<b>23</b>	8423974	1	Pressure spring			
<b>24</b>	8408674	1	Locking pin			
<b>25</b>	6319026	1	Circlip A2 SGA DIN471			
<b>26</b>	6327027	1	End plug			
<b>27</b>	6301018	1	Buffer			
<b>28</b>	6100820	2	Screw A4 M6S ISO 4017 M8x20-80			
<b>29</b>	8411343	2	Bush			
<b>30</b>	8411342	2	Washer			
<b>31</b>	<b>100806-03</b>	<b>1</b>	<b>Adjustable back support, grey</b>			<b>Complete</b>
<b>32</b>	8323127	1	Clamp			
<b>33</b>	8223136-04	1	Handle,white			
	8223136-031		Handle,grey			
<b>34</b>	6150820	4	Screw A4 MF6S ISO 10642 M8x20-BUMAX88			
<b>35</b>	8423133-031	2	Fixation plate, grey			
<b>36</b>	6150816	2	Screw A4 MF6S ISO 10642 M8x16-80			
<b>37</b>	6150610	4	Screw A4 MF6S ISO 10642 M6x10-BUMAX88			
<b>38</b>	8223134-04	1	Back support, white			
	8223134-031		Back support, grey			
<b>39</b>	6150616	4	Screw A4 MF6S ISO 10642 M6x16-BUMAX88			
<b>40</b>	8423128	2	Sliding block			
<b>41</b>	8411097	4	Washer			
<b>42</b>	8451622	2	Catch, complete			With spring and bumper
<b>43</b>	8408735	4	Screw			

D

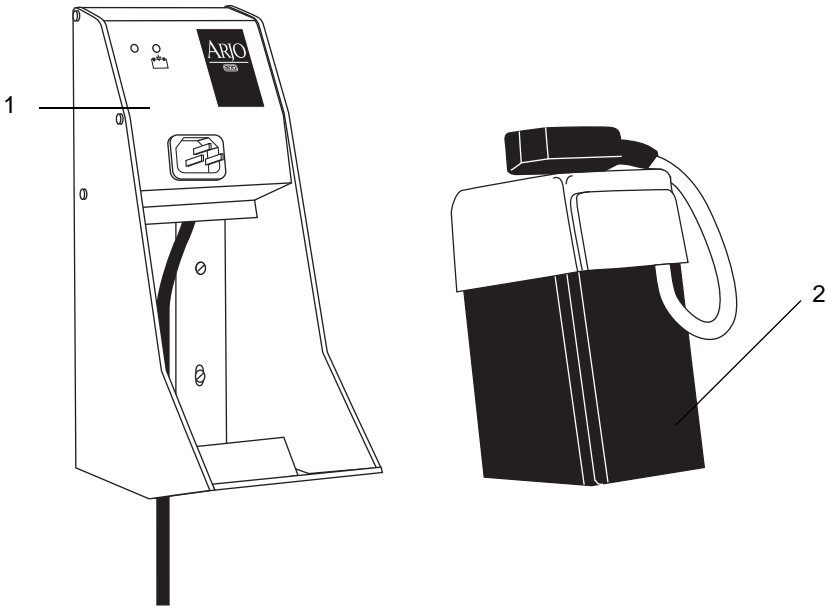


31

**E** *Battery Charger/Battery (Concerto)*

<b>Pos</b>	<b>Art. No.</b>	<b>Qty</b>	<b>Description</b>	<b>From ser. No.</b>	<b>Up to ser. No.</b>	<b>Remarks</b>
<b>1</b>	NCA1000-EU NCA2000-GB NCA3000-CH NCA4000-US NCA6000-AU	1	Battery charger			
<b>2</b>	102193	1	Battery			

E



## Basic

### Preventive Maintenance Parts/Recommended Spares

---

Preventive Maintenance Parts	Part number	Number of Basic		Page
		1	5	
Catch kit	8546608	1	5	C:37
Castor kit	8546848	4	20	B1:24
Old castor up to 2000-07-01 (Rhombus)	6311031	4	20	B1:24

Recommended Spares	Part number	Number of Basic		Page
		1	5	
Bearing complete, grey	8536002-31	1	1	B1:46
Catch with spring and bumper	8451622	2	4	D:42
Drainage plug light blue, complete	8523863-014	1	1	C:4
End protection	8411517	4	8	C:39
Mattress, light blue	8131422-014	1	2	C:2
Pedal rubber	8321832	1	1	B2:36
Pillow, dark blue	8231551-013	1	2	C:1
Pump cover	8320746	1	1	B2:35
Pump insert kit	8531174	1	1	B2:8

# Concerto

## Preventive Maintenance Parts/Recommended Spares

---

Preventive Maintenance Parts	Part number	Number of Concerto		Page
		1	5	
Catch kit	8546608	1	5	C:37
Castor kit straight steering	8546849	2	10	A1:29, B1:25
Castor kit	8546848	2	10	A1:28, B1:24
Old castor up to 2000-07-01(Rhombus)	6311031	4	20	A1:28, B1:24

Recommended Spares	Part number	Number of Concerto		Page
		1	5	
Bearing complete, grey	8536002-31	1	1	A1:9, B1:46
Catch with spring and bumper	8451622	2	4	D:42
Cover, dark blue	8123945-013	2	4	A1:22, B1:17
Drainage plug light blue, complete	8523863-014	1	2	C:4
End protection	8411517	4	8	C:39
Mattress, light blue 1600 mm	8131431-014	1	2	C:2
Mattress, light blue 1900 mm	8131422-014			
Mattress, light blue 2250 mm	8131421-014			
Pillow, dark blue	8231551-013	1	2	C:1
Wedge pillow, light blue	100880-01	1	1	C:5
<b>Hydraulic pump</b>				
Pedal rubber	8321832	1	1	B2:36
Pump cover	8320746	1	1	B2:35
Pump insert kit	8531174	1	1	B2:8
<b>Electric pump</b>				
Battery	102193	1	2	E:2
Fuse T15AL 6,3x32mm	6379077	1	2	A2:43
Hand control	8560055	1	2	A1:34
PCB	8331275	1	1	A2:12

## Concerto/Basic

### Service Articles and Special Tools

---

Service Articles	Type	Quantity	Part number
Shell Cassida RLS2	Lubrication	400ml cartridge	6907792
Tellus oil 32*	Lubrication	1000ml	8546459
Loctite 243	Locking	10ml	6950607
Loctite 2701	Locking	5ml	6950609
Loctite 542	Thread sealant	10ml	6950613
Loctite 577	Locking	50ml	6950610
Plastic 70	Plastic spray	400ml	6950621
Touch-up paint	Grey	20ml	6951007-031
Touch-up paint old	White	20ml	6951007-04

\*Hydraulic version only

Special Tools	Part number
Load Test Equipment	7x25 l barrels (not supplied by ArjoHuntleigh)
Test Rig for Electric Charger (Electric version)	8438422
Battery Condition Tester (Electric version)	8662950
Spare Part bulb for 8662950	S6311425
Spanner (Hydraulic version)	8354795
Circlip pliers (Hydraulic version)	6907176
Wrench for piston (Hydraulic version)	8535241







---

## GETINGE GROUP

**Getinge Group** is a leading global provider of products and systems that contribute to quality enhancement and cost efficiency within healthcare and life sciences. We operate under the three brands of **ArjoHuntleigh**, **Getinge** and **Maquet**. **Getinge** provides solutions for infection control within healthcare and contamination prevention within life sciences. **Maquet** specializes in solutions, therapies and products for surgical interventions, interventional cardiology and intensive care.

---

## ARJOHUNTLEIGH

GETINGE GROUP

ArjoHuntleigh focuses on patient handling and hygiene, disinfection, DVT prevention, medical beds, therapeutic surfaces and diagnostics.



ArjoHuntleigh AB  
Hans Michelsensgatan 10  
211 20 Malmö, Sweden

